


BELLINA WRITING DESK

 **WARNING: ADULT ASSEMBLY ONLY OWING TO THE PRESENCE OF SMALL PARTS, SHARP POINTS AND EDGES**

Customer Service - If you are missing parts or have any questions about this product, please contact us at : 1-800-762-1751

PART LIST

- A. [1] BELLINA WRITING DESK
- B. [2] LEG
- C. [1] BACK PANEL

HARDWARE LIST

- 1. [4] ALLEN HEAD BOLT
- 2. [4] PLAIN WASHER
- 3. [4] LOCK WASHER
- 4. [1] ALLEN WRENCH
- 5. [8] SCREW

INSTRUCTIONS:

STEP #1:

Gently turn the desk (A) upside down on a clean and non-abrasive surface and remove the drawer to have access to the holes on both end panels of the desk. Please see **FIGURE 01**.

Note:

On both ends of the desk (A) are pre-installed wooden dowels that correspond with the cavities on the ends of the legs (B).

STEP #2:

Align and insert the dowel on the desk into the cavities on the legs as illustrated in **FIGURE 02** and fasten the legs with Allen Head Bolts (1), Plain Washers (2) and Lock Washers (2) provided as in **FIGURE 03**.

STEP #3:

After assembly, gently lift the desk into upright position and install the back panel onto the back of the desk with screws (5) and Phillips Head Screwdriver (not included) as in **FIGURE 04**.

STEP #4

Install the drawer back into the drawer compartment as in **FIGURE 05**.

FIGURE 01

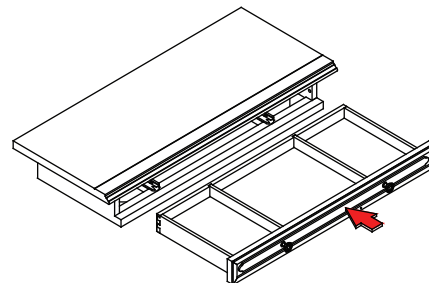


FIGURE 02

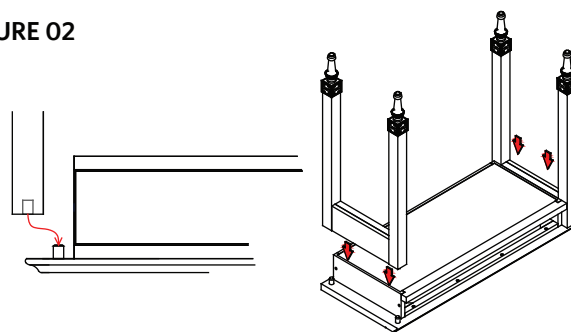


FIGURE 03

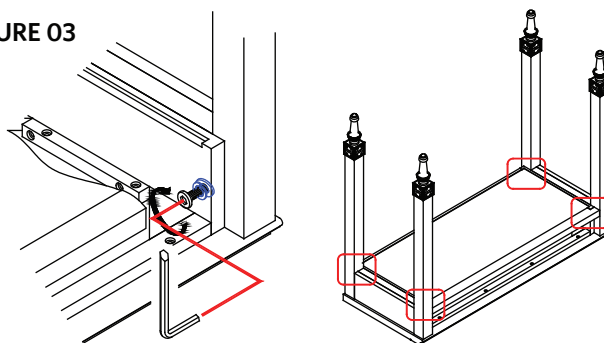


FIGURE 04

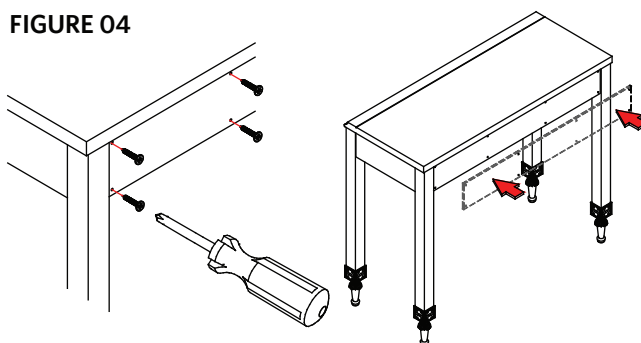
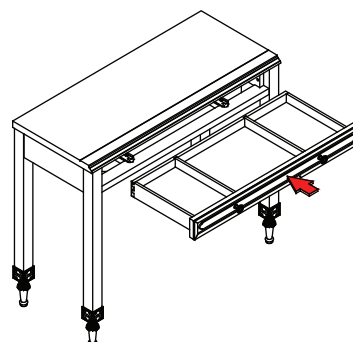


FIGURE 05








FURNITURE TIPPING RESTRAINT INSTRUCTIONS

Young children may be injured by tipping furniture and the use of a tipping restraint is highly recommended.

When properly installed, this restraint could provide protection against the unexpected tipping of furniture due to small tremors, bumps or climbing. We recommend mounting this restraint to a wall stud.

WARNING: This product is only a deterrent. It is not a substitute for proper adult supervision.

PART LIST

A	[4] PLASTIC BRACKET	
B	[2] RESTRAINT STRAP	
C	[4] PHILLIPS SCREWS M4 x 30mm	
D	[4] PHILLIPS SCREWS M4 x 20mm	
E	[4] PLASTIC ANCHOR	

INSTALLATION INSTRUCTIONS

1. Attach two of the Plastic Brackets (A) near the top back edge of the furniture piece by inserting the shorter screws (D).
2. Determine the final position of the furniture piece. Mark locations on the wall approximately 2" below the brackets mounted to the back of the furniture.
3. Drill a shorter hole into the wall stud. If wall stud is not available, drill a hole into the wall and insert Plastic Anchor (E). Gently tap the Anchor until the flange is flush with the wall.
4. Attach the second set of brackets (A) by inserting the longer screw (C) through the bracket and into the wall.
5. Place the furniture so that the brackets on the back edge are in line with the brackets in the wall.
6. Lace one end of the nylon restraint strap (B) down through each bracket. Bring both ends together and slide the beaded end until it snap locks into the keyhole slot.
7. To double lock; return the beaded end back through the keyholes as shown in sketch.
8. Check to make sure the straps are securely laced and locked to the brackets.

CARE INSTRUCTIONS:

- Dust often using a clean, soft, dry lint-free cloth.
- Blot spills immediately and wipe with a clean, damp, cloth.
- We do not recommend the use of chemical cleansers, abrasives, or furniture polish on our lacquered finish.

