

## BURKE RAFFIA LARGE DRESSER INSTRUCTIONS

### PARTS INCLUDED

A [1] CABINET

NO.	ITEM	DESCRIPTION	QTY.
1		Metal cord	1 pc
2		Bracket	1 pc
3		Clevis pin	2 pcs
4		Hair pin	2 pcs
5		Stainless steel screw	2 pcs
6		Toggle bolt	2 pcs
7		Screwdriver	Not included

### CARE INSTRUCTIONS

1. To clean, use a soft dry or damp cloth.
2. Do not use any abrasive cleansers.

### IMPORTANT SAFETY INSTRUCTIONS

1. Professional installation is strongly recommended.
2. For your safety, it is recommended that more than two adults assemble.
3. These instructions are provided for your safety. It is important that they are read carefully and completely before installation of the fixture.

### INSTRUCTIONS TO FIX THE ANTI-TIP KIT

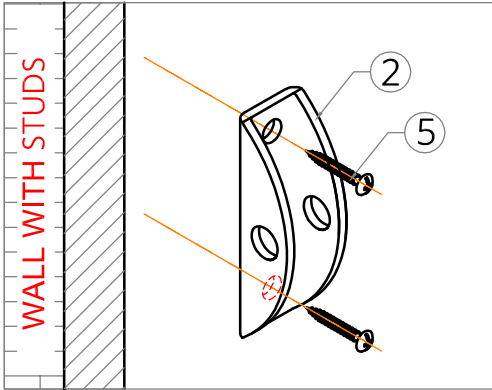
ATTACHMENT TO WALL STUD WHERE POSSIBLE

OR

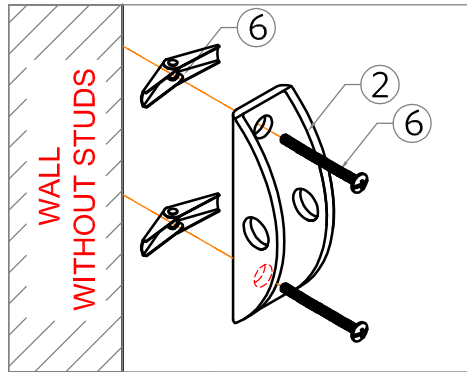
INSTALLATION BY A PROFESSIONAL WHEN ATTACHING THE ANTI-TIP KIT TO MASONRY OR CONCRETE WALL

1. Unpack all parts and place them on a protected work surface. Determine the final position of the furniture piece. Position the metal bracket (2) on the wall stud approximately 2" below the metal bracket mounted to the back of the furniture. Mark and drill a pilot hole into the center of stud with 3/32" drill bit. Attach metal bracket (2) into the wall by using screws (5). See Detail A. If the stud cannot be located, use toggle bolts (6). See Detail B.
2. Move the furniture into positions with the brackets on the back edge in line with the brackets in the wall.
3. Insert the clevis pin (3) through holes on brackets and hole on metal cord (1). Using hair pin (4) to go through small hole on clevis pin (3) to lock it. See Detail C.
4. Repeat above step to attach the end of metal cord (1) to the metal bracket on the wall. See Detail C.
5. Check to make sure the metal cord is securely laced and locked to the brackets.

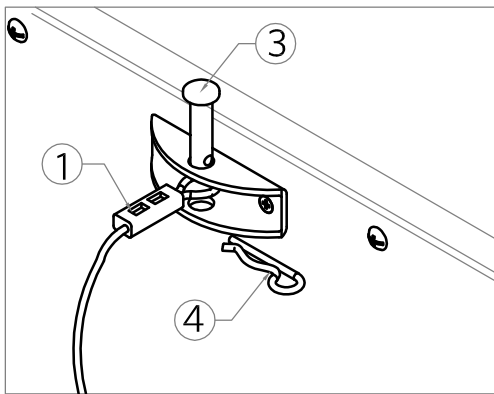
BURKE RAFFIA LARGE DRESSER INSTRUCTIONS



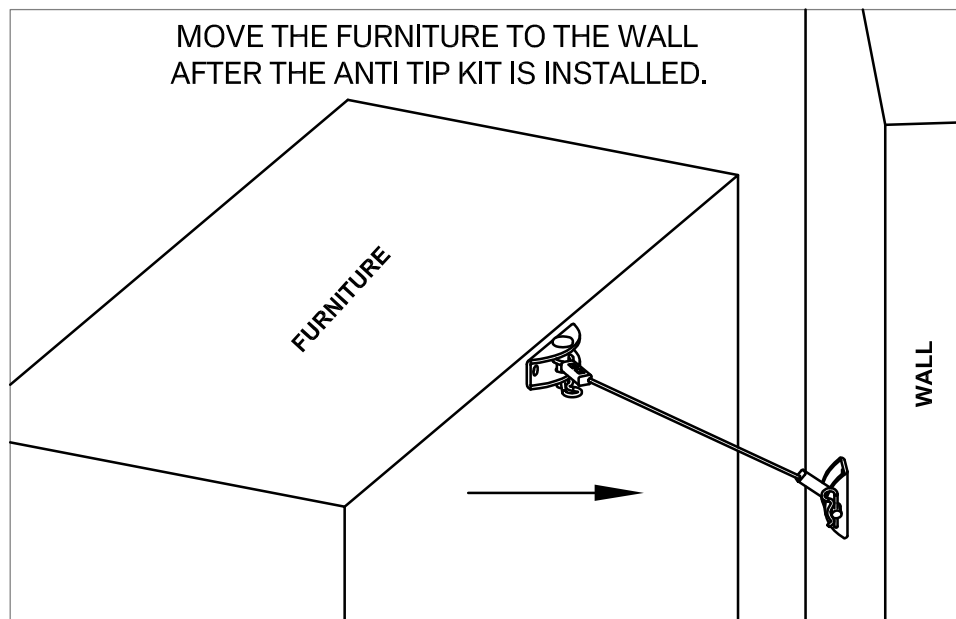
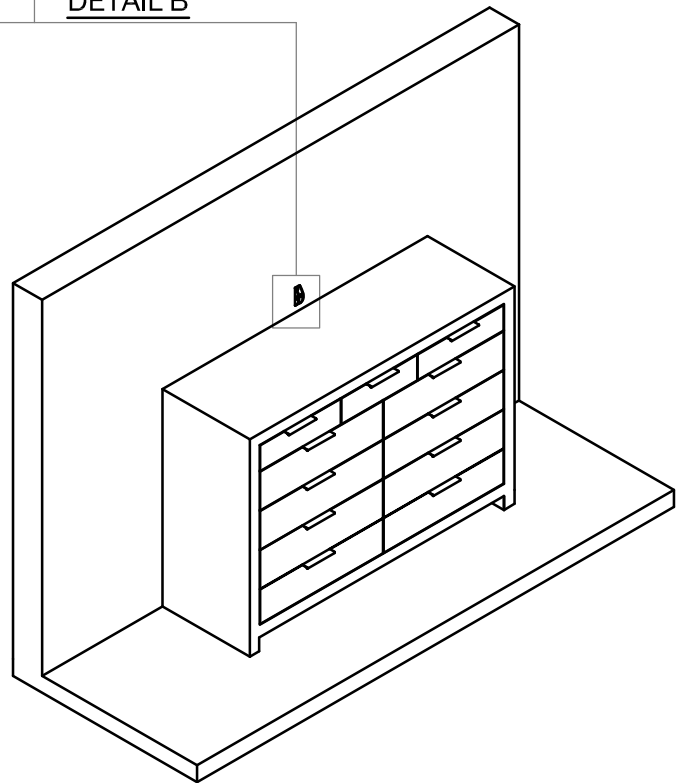
DETAIL A



DETAIL B



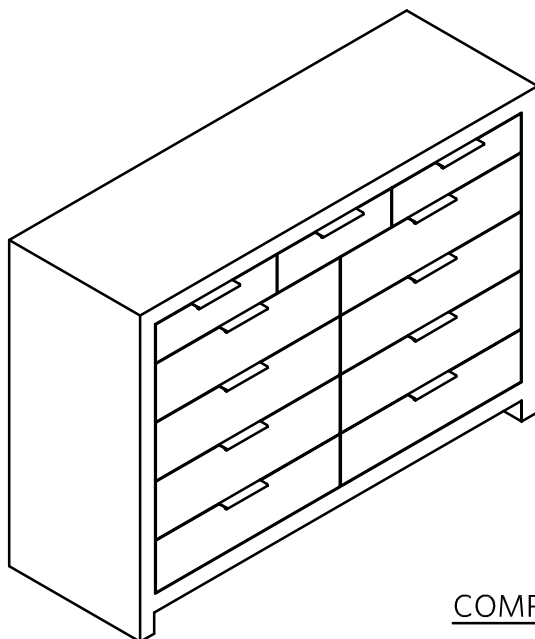
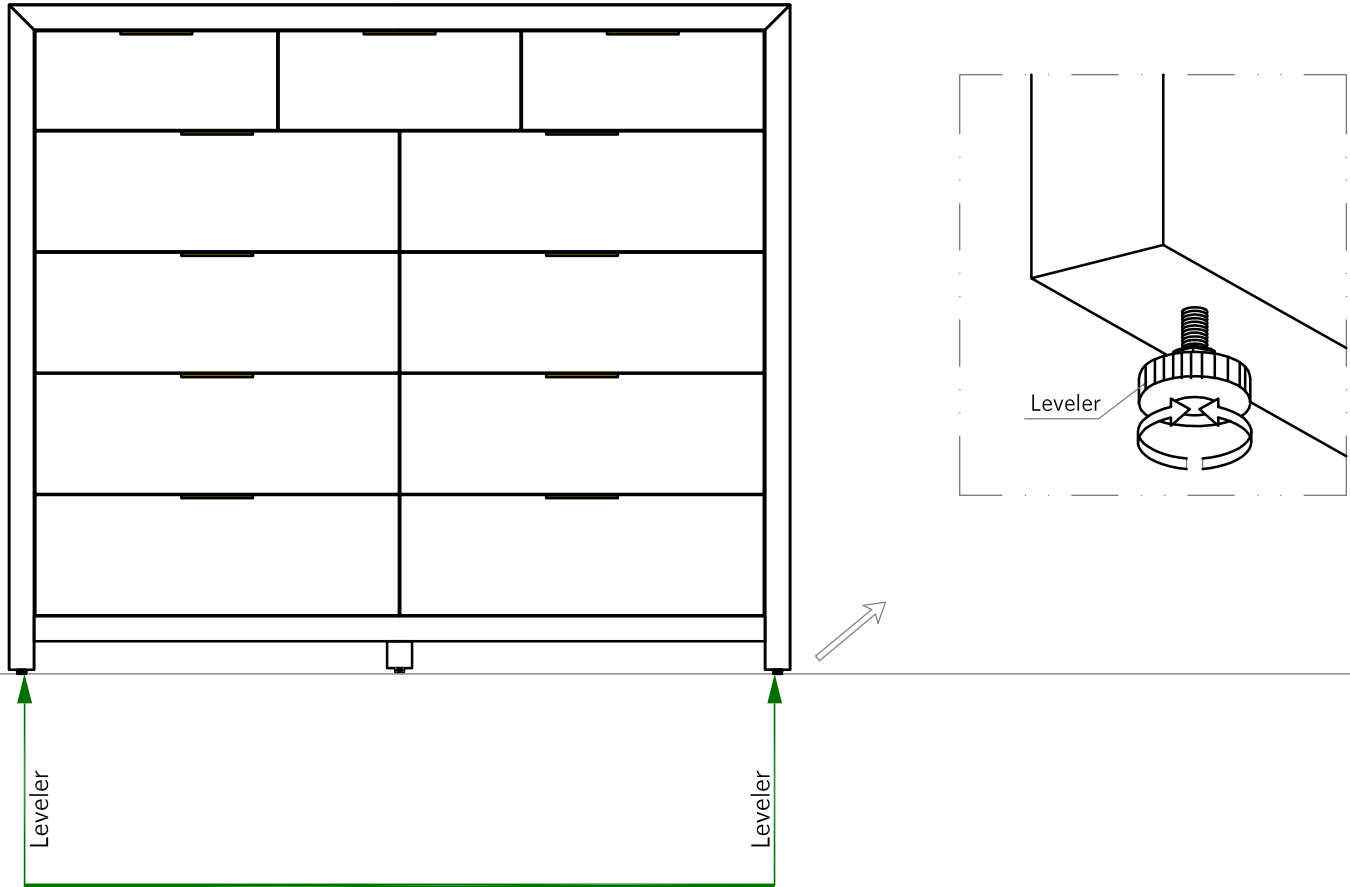
DETAIL C



## BURKE RAFFIA LARGE DRESSER INSTRUCTIONS

When the dresser is installed in position, the levelers at the bottom of the feet may need adjusting to make sure the cabinet is level.

If adjustment is needed, screws (3) of the wall brackets can be loosened to allow some movement. When the leveling is complete, the screws can be fully tightened.



COMPLETED