

CABIN TWIN & FULL BED



WARNING: ADULT ASSEMBLY ONLY OWING TO THE PRESENCE OF SMALL PARTS, SHARP POINTS AND EDGES.

Customer Service - If you are missing parts or have any questions about this product, please contact us at : 1-800-762-1751.

CARE INSTRUCTIONS

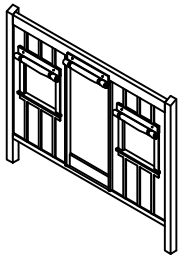
- Dust often using a clean, soft, dry lint-free cloth.
- Blot spills immediately, and wipe with a clean, damp cloth.
- We do not recommend the use of chemical cleansers, abrasives, or furniture polish on our lacquered finish.

TOOLS NEEDED:

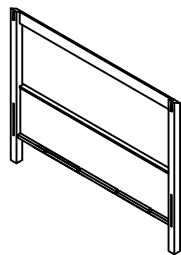
- Phillips head screwdriver (not provided)

PARTS LIST

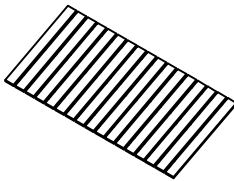
(A) Bed Front
(x1 piece)



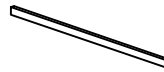
(B) Bed Back
(x1 piece)



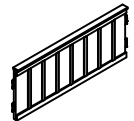
(C) Roof
(x2 pieces)



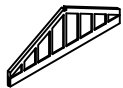
(D) Long Stretcher Bar
(x1 piece)



(E) Bottom Side Rails
(x2 pieces)



(F) Top Side Rails
(x2 pieces)



(G) Platform Panels
(x2 pieces)







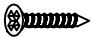


(I) Ladder
(x1 piece)



(H) Short Stretcher Bar
(x4 pieces)



HARDWARE LIST

NO.	Description	Q'TY
1	 Long Bolt 5/16" x 2-1/2"	2 Pcs
2	 Short Bolt 5/16" x 1-1/2"	8 Pcs
3	 Spring Washer 5/16" x 13mm	10 Pcs
4	 Flat Washer 5/16" x 19mm	10 Pcs
5	 Short Screw 8x19mm	4 Pcs
6	 Long Screw 8x30mm	48 Pcs
7	 Allen Wrench 4mm	1 Pc

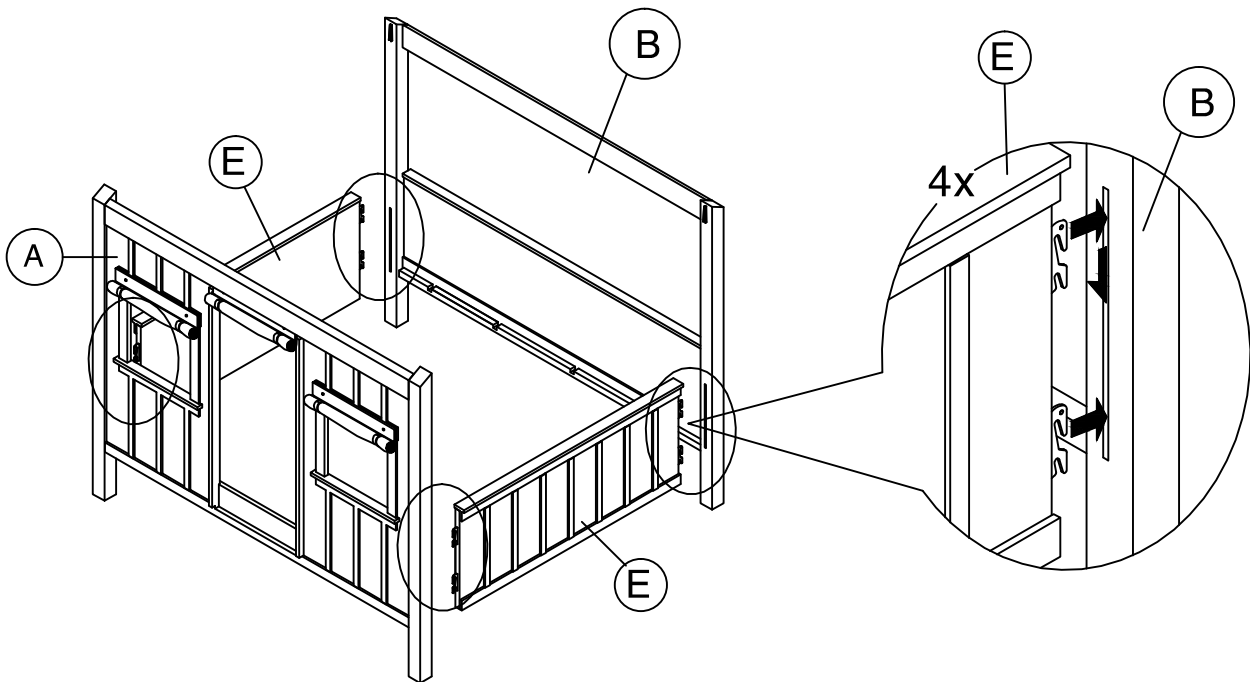
ASSEMBLY INSTRUCTIONS

Note:

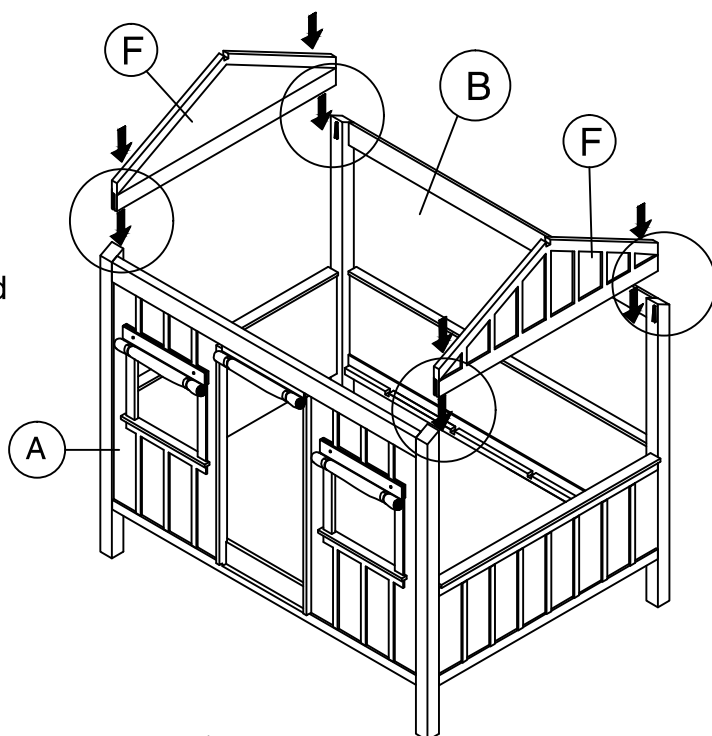
- Bed must be assembled by at least two people.
- Please read instructions carefully before assembling bed.
- Use the above parts and fittings list to identify each component.
- Keep all packing materials until assembly is complete to avoid loss of smaller parts.
- Do not completely tighten all bolts until all steps are finished.

STEP #1: SIDE RAIL ASSEMBLY

1. While holding the Bed Front (A) & Bed Back (B) upright, place the hooks of the Bottom Side Rails (E) into the slots in the post of the Bed Front (A). If necessary, using a thick magazine or book to protect the Bottom Side Rails (E), hammer with a mallet or hammer until tight. Then hook the Bottom Side Rails (E) into the Bed Back (B).

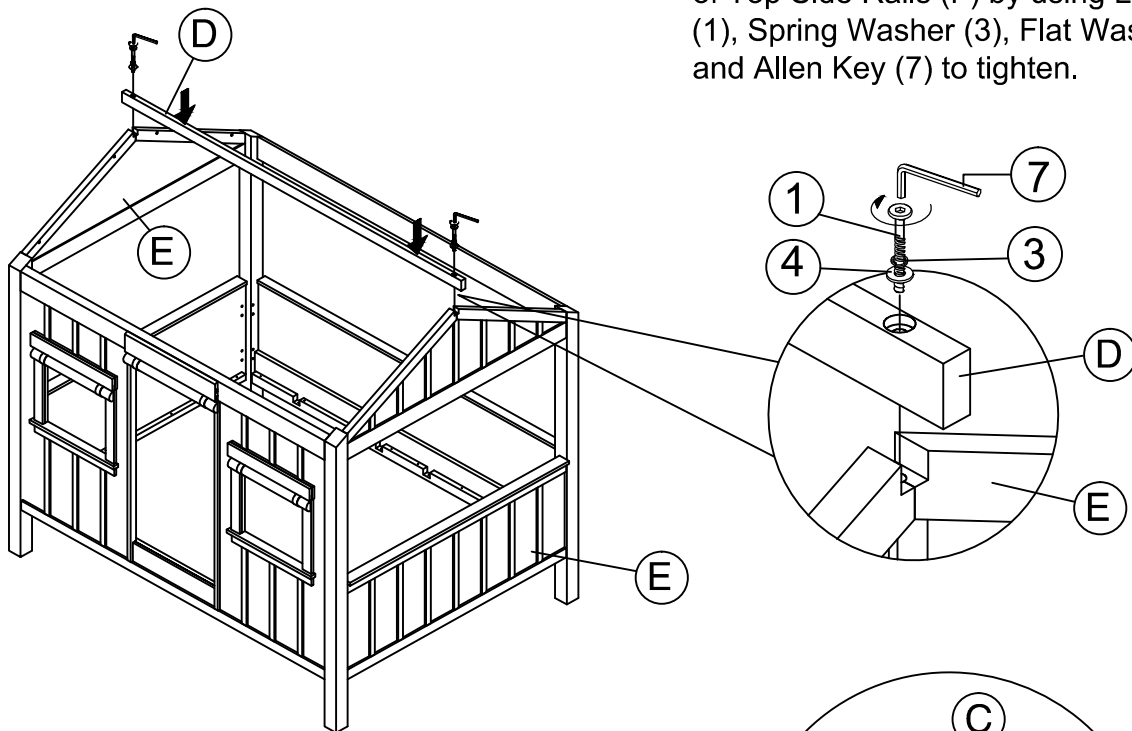


2. Install the Top Side Rails (F) securely into the metal brackets on the Posts of Bed Front (A) & Bed Back (B).

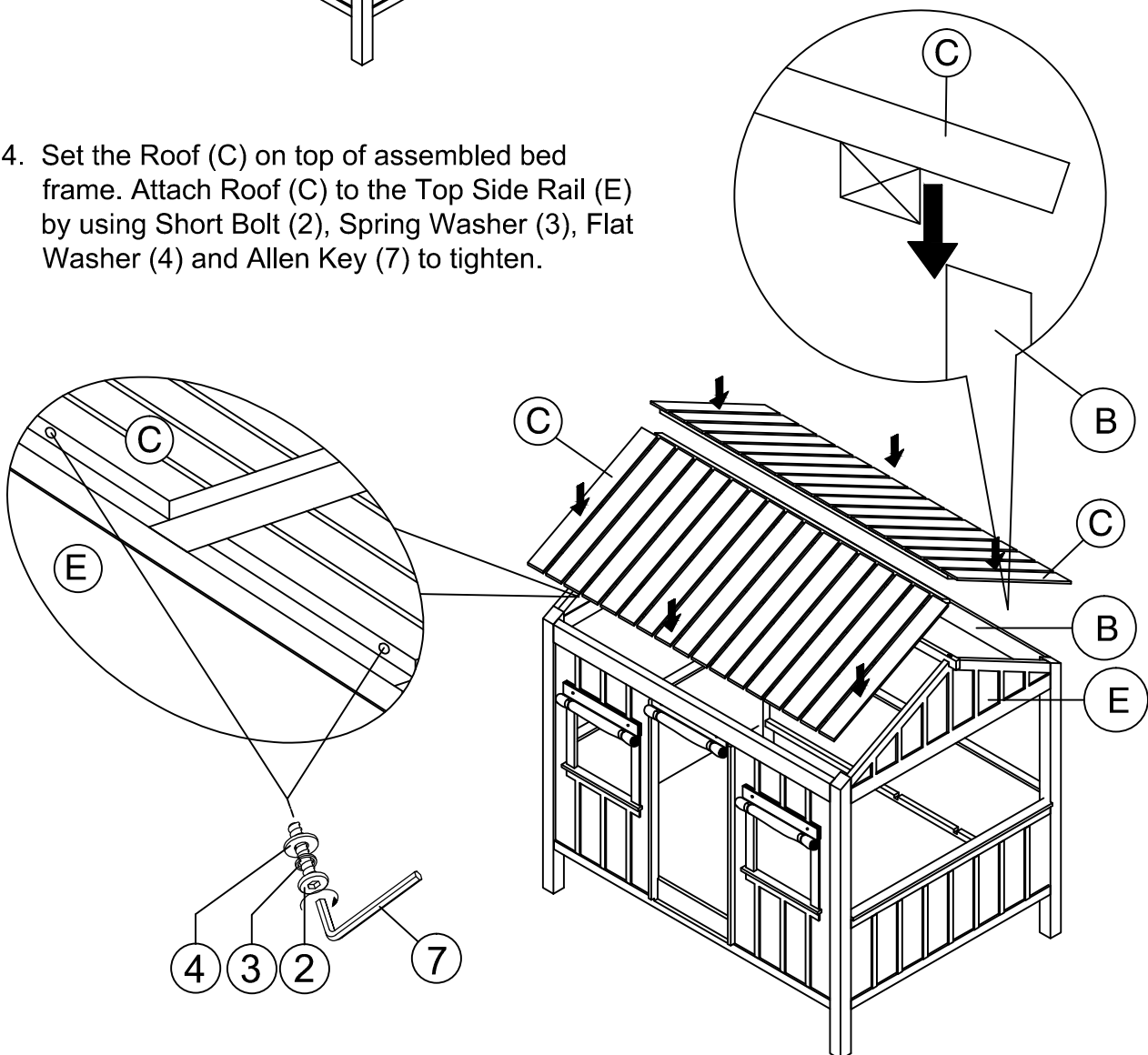


STEP #2
ROOF ASSEMBLY

3. Attach the Stretcher Bar (D) onto the top of Top Side Rails (F) by using Long Bolt (1), Spring Washer (3), Flat Washer (4) and Allen Key (7) to tighten.



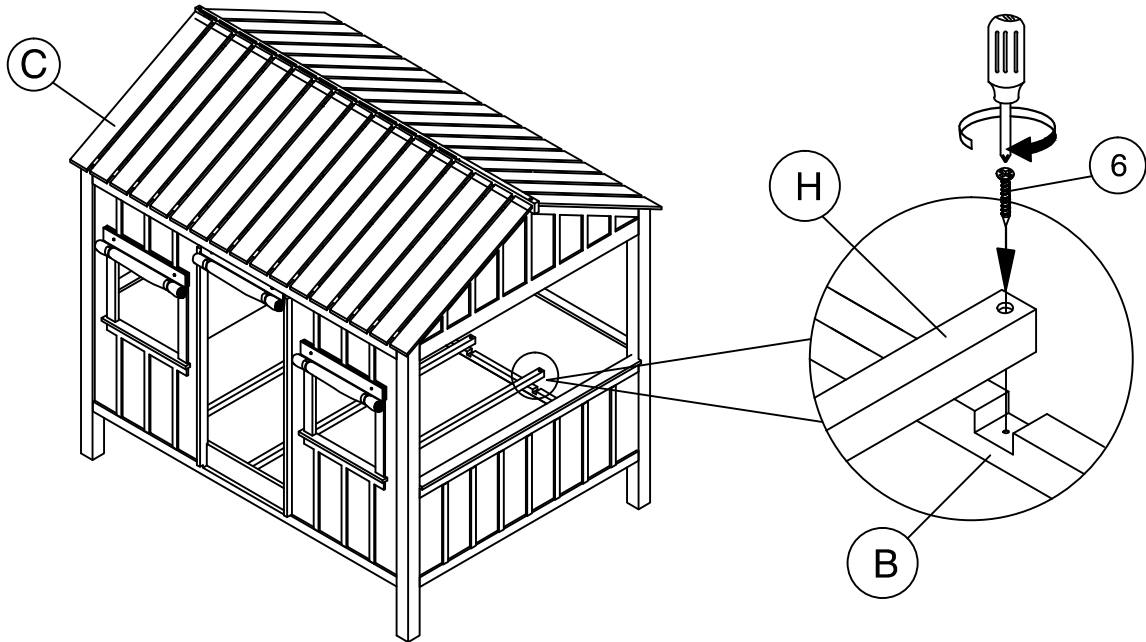
4. Set the Roof (C) on top of assembled bed frame. Attach Roof (C) to the Top Side Rail (E) by using Short Bolt (2), Spring Washer (3), Flat Washer (4) and Allen Key (7) to tighten.



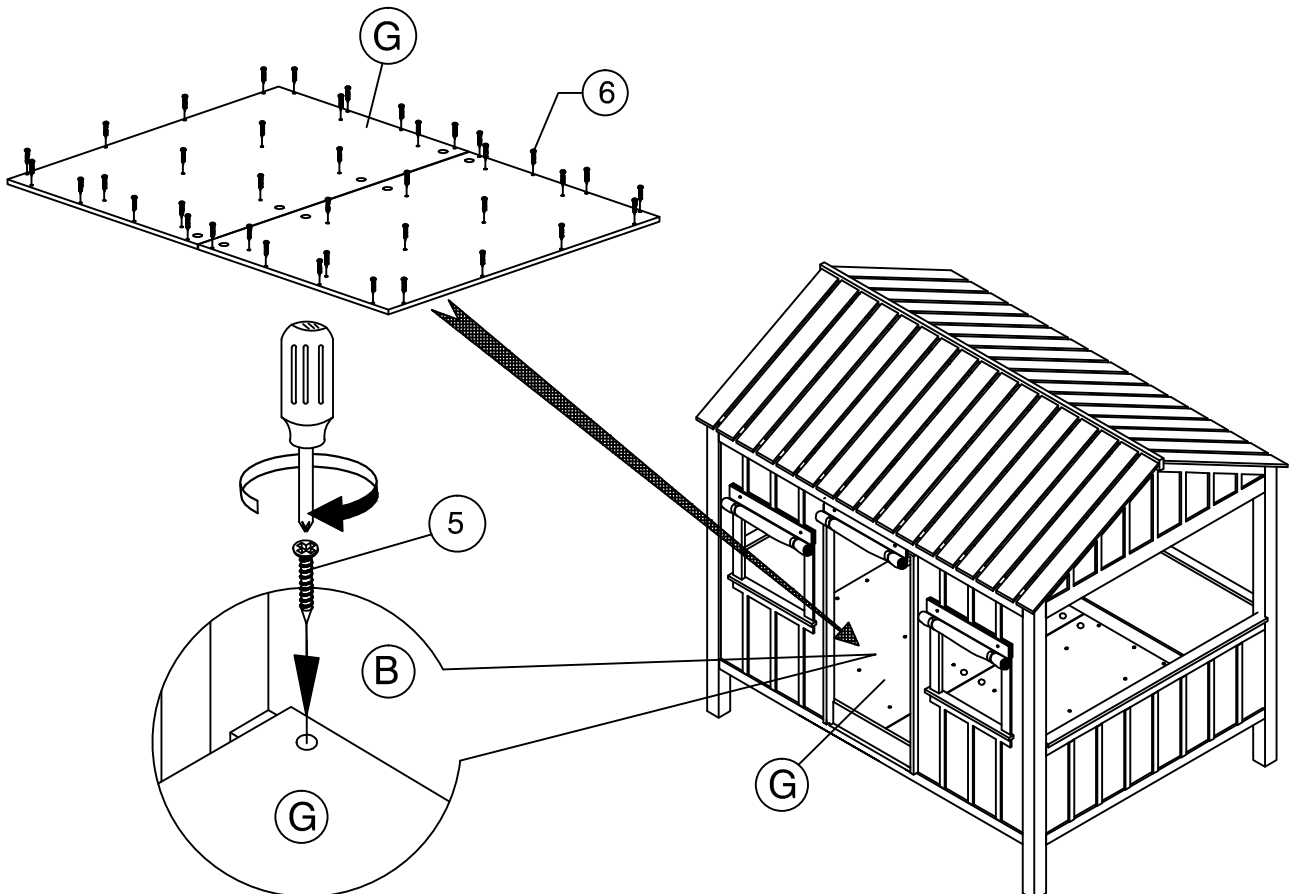
STEP #3

SHORT STRETCHER BAR AND PLATFORM PANEL ATTACHMENT INSTRUCTIONS

5. Lay the 4 Short Stretcher Bars (H) in between the Bed Front (A) and Bed Back (B), then tighten using Long Screws (6) and Philips Head screwdriver.



6. Lay the Platform Panels (G) on top of the Long Stretcher Bars (H) and attach using Qty.40 Long Screws (6) with Philips Head screwdriver (not included).



STEP 4: LADDER ATTACHMENT INSTRUCTIONS

7. Position the Ladder (I) in the opening in the Bed Front (A). Hook the Ladder (H) over the rails of Bed Front (A) and tighten with Short Screws (5) using Phillips head screwdriver.

