

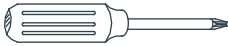
RHTEEN

CALLUM QUEEN PLATFORM CANOPY QUEEN BED WITH HEADBOARD

PARTS INCLUDED:

- A [1] HEADBOARD PANEL
- B [2] HEADBOARD POST
- C [2] FOOTBOARD POST
- D [2] LONG SIDE RAIL
- E [2] SHORT SIDE RAIL
- F [1] SLAT ROLL
- G [2] LONG CANOPY RAIL
- H [2] SHORT CANOPY RAIL
- I [3] SUPPORT LEGS

TOOLS NEEDED:



Phillips-Head Screwdriver (not included)

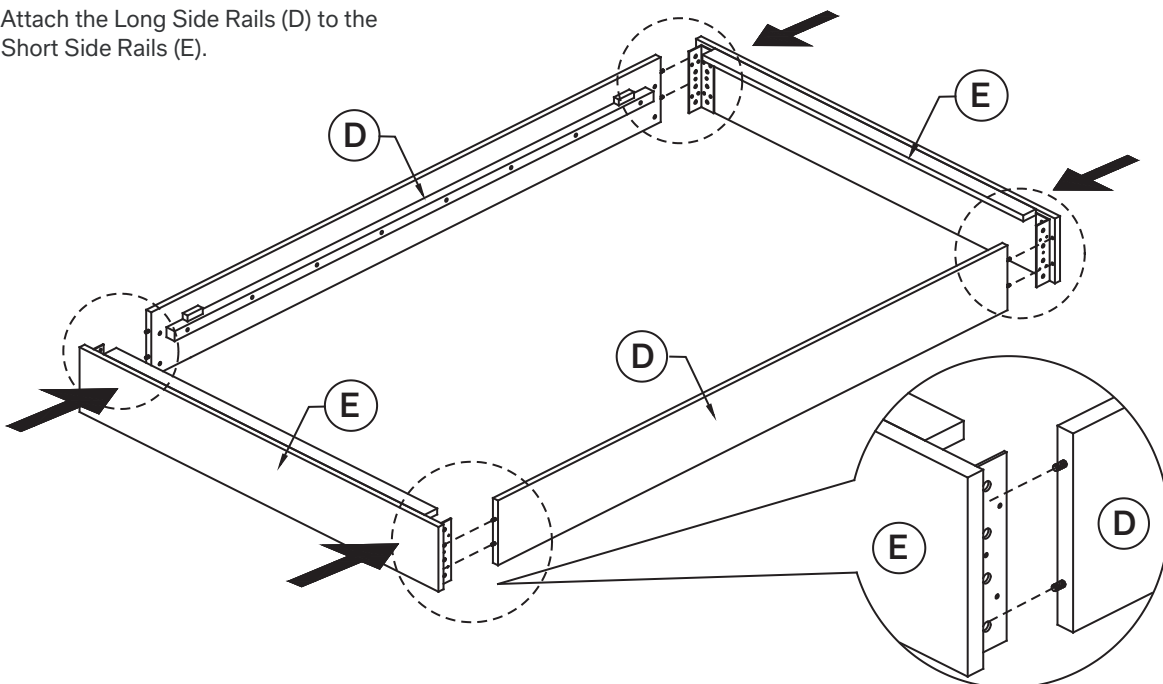
ASSEMBLY INSTRUCTIONS:







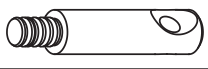





Note:

Two adults are recommended to assemble this bed.

STEP 1:

Attach the Long Side Rails (D) to the Short Side Rails (E).



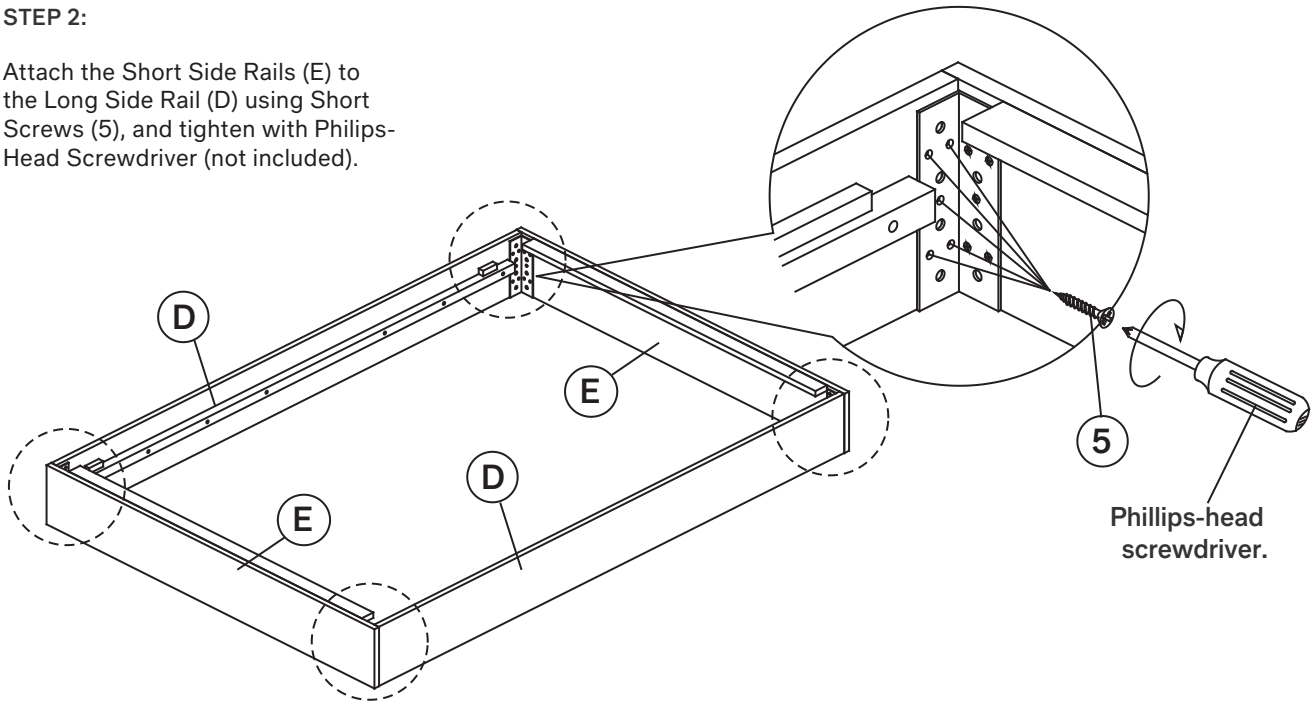
NO.	ITEM	DESCRIPTION	QTY.
1		Long Bolt 5/16" x 2-1/4"	20 pcs.
2		Flat Washer 5/16"	20 pcs.
3		Spring Washer 5/16"	20 pcs.
4		Long Screw 8 x 30mm	28 pcs.
5		Short Screws 8 x 15mm	20 pcs.
6		Allen Key 4mm	1 pc.
7		Connecting Bolt	4 pcs.
8		Assembling Insert	4 pcs.
9		Camlock Wheel	4 pcs.
10		Allen Key 5mm	1 pc.
11		Metal Bracket 65 x 65 x 2 mm	4 pcs.
12		Medium Screws 7 x 20 mm	16 pcs.

RHTEEN

CALLUM QUEEN PLATFORM CANOPY QUEEN BED WITH HEADBOARD

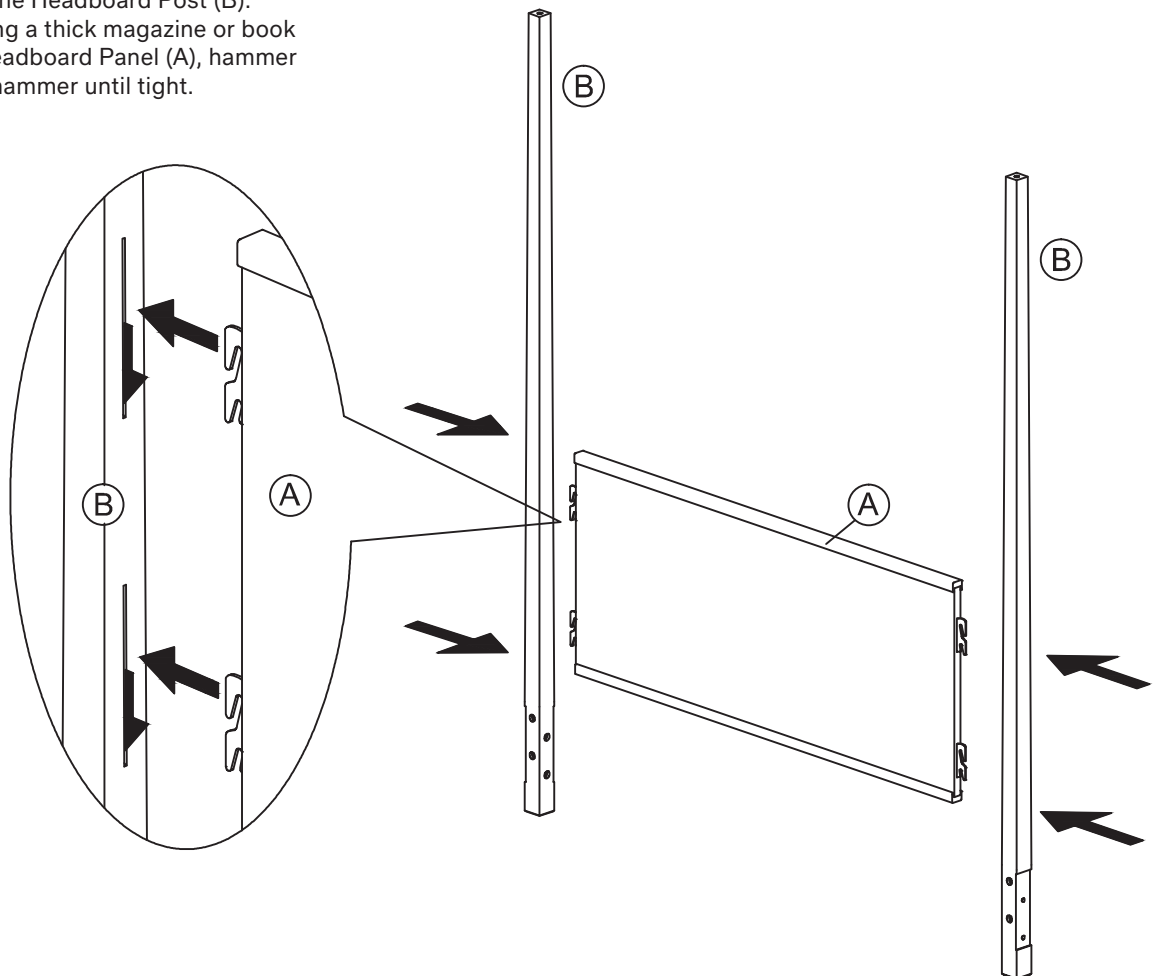
STEP 2:

Attach the Short Side Rails (E) to the Long Side Rail (D) using Short Screws (5), and tighten with Phillips-Head Screwdriver (not included).



STEP 3:

Place the hooks of the Headboard Panel (A) into the slots in the Headboard Post (B). If necessary, using a thick magazine or book to protect the Headboard Panel (A), hammer with a mallet or hammer until tight.



RHTEEN

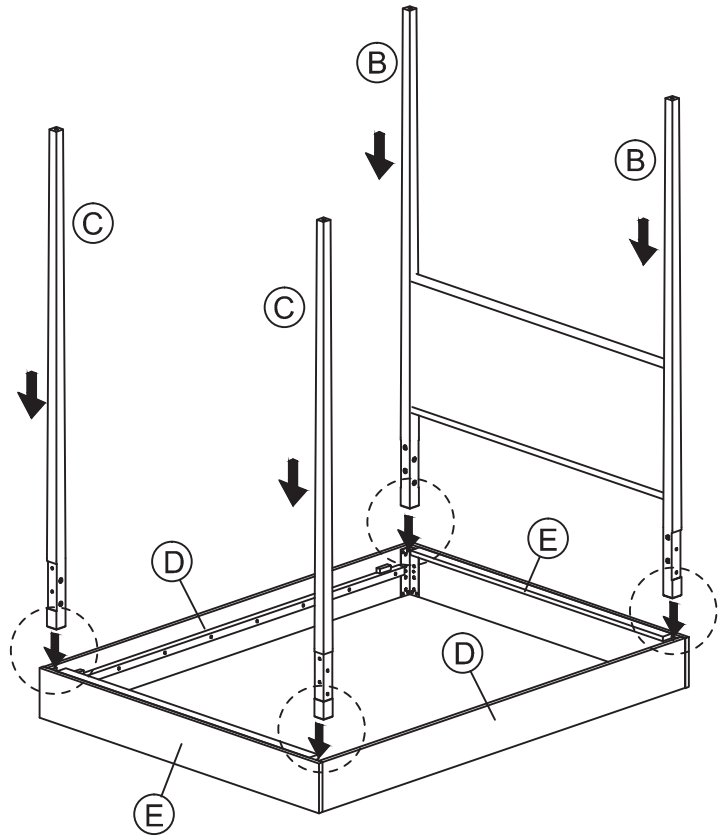
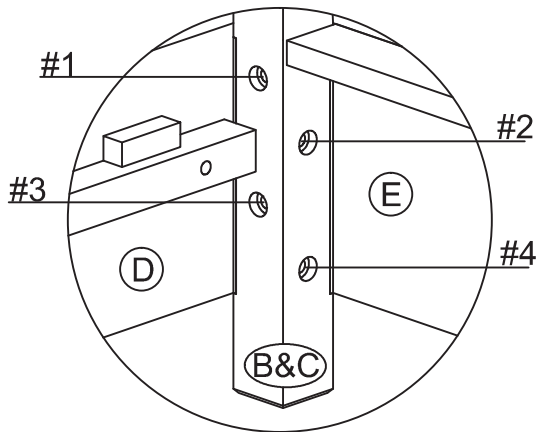
CALLUM QUEEN PLATFORM CANOPY QUEEN BED WITH HEADBOARD

STEP 4:

Attach the Headboard Posts (B) and Footboard Posts (C) to the Bed Base.

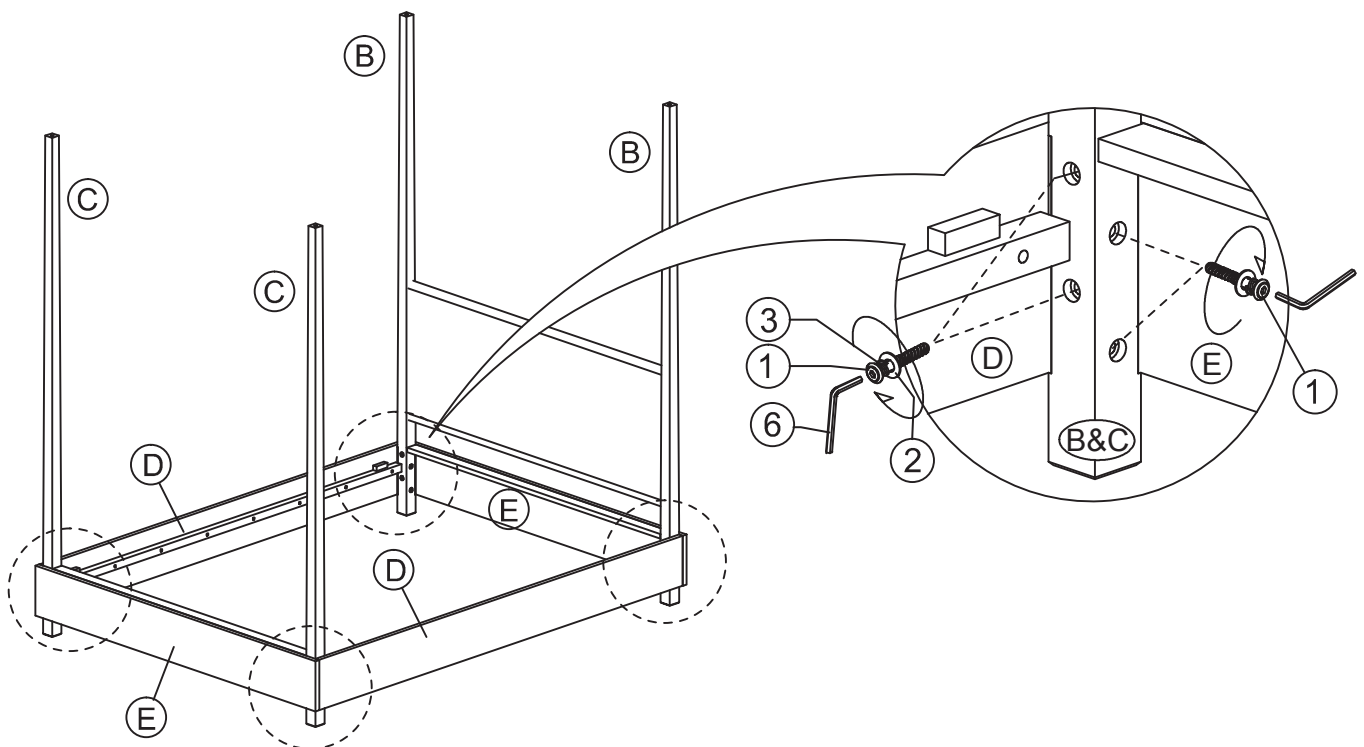
Note:

- Bolts on Headboard/ Footboard are located in the 1st and 3rd bolt locations.
- Bolts on the Side Rails are located in the 2nd and 4th hole locations.
- Repeat steps for all 4 corners.
- Footboard Posts are interchangeable.



STEP 5:

Insert Flat Washer (2), Spring Washer (3), and Long Bolt (1) and tighten with Allen Key (6).



RHTEEN

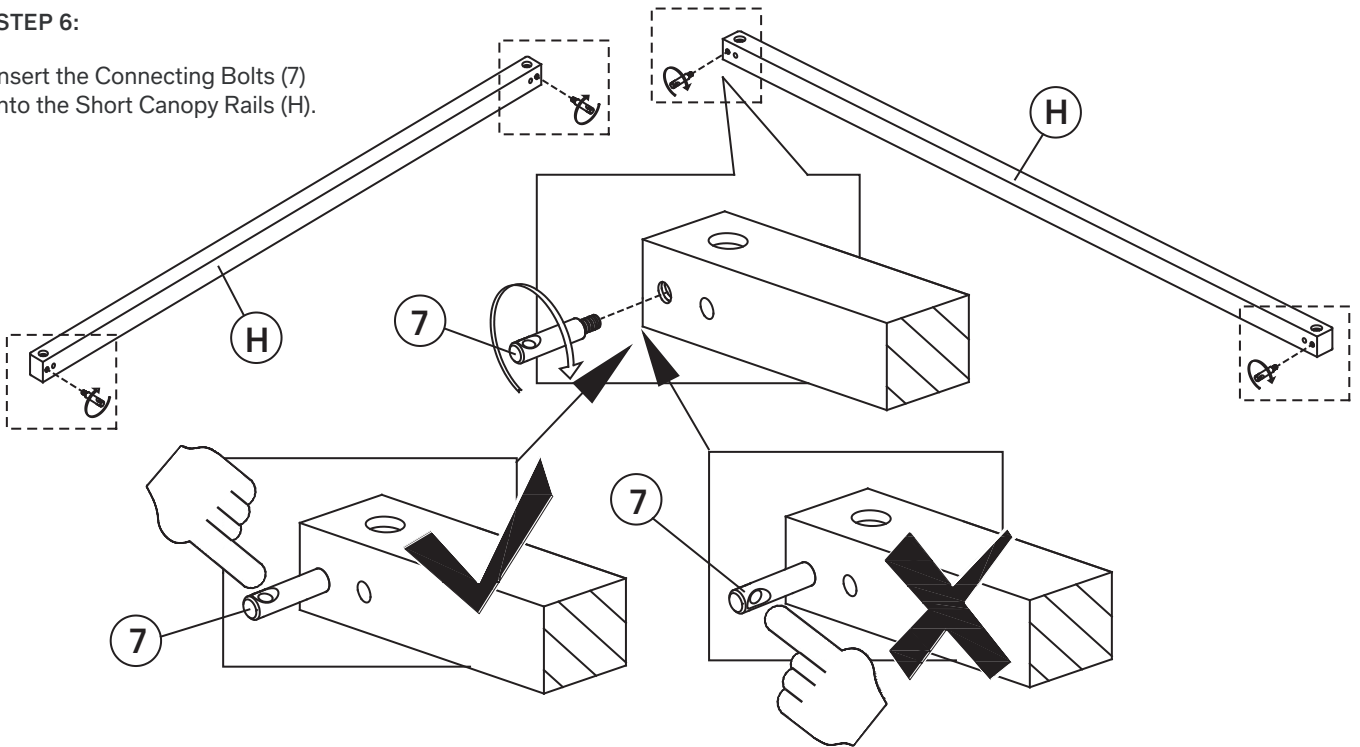
CALLUM QUEEN PLATFORM CANOPY QUEEN BED WITH HEADBOARD

NOTE: - MAKE SURE THE CANOPY RAILS ARE PUT TOGETHER BEFORE PLACING ON TOP OF THE POSTS.

- ASSEMBLING THE CANOPY: INSERT ALL BOLTS BEFORE FULLY TIGHTENING ALL 4 CORNERS.

STEP 6:

Insert the Connecting Bolts (7) into the Short Canopy Rails (H).

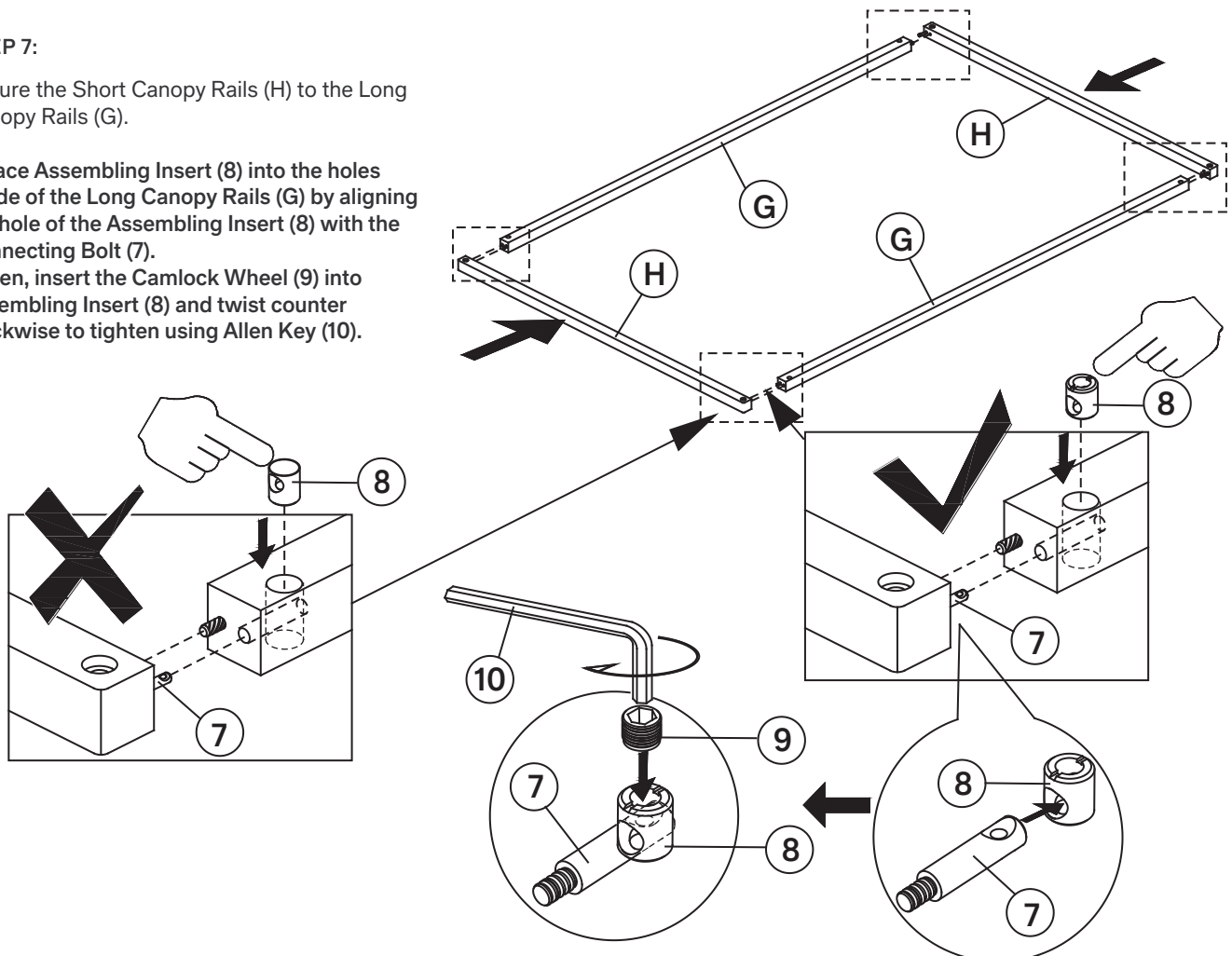


STEP 7:

Secure the Short Canopy Rails (H) to the Long Canopy Rails (G).

- Place Assembling Insert (8) into the holes inside of the Long Canopy Rails (G) by aligning the hole of the Assembling Insert (8) with the Connecting Bolt (7).

- Then, insert the Camlock Wheel (9) into Assembling Insert (8) and twist counter clockwise to tighten using Allen Key (10).



RHTEEN

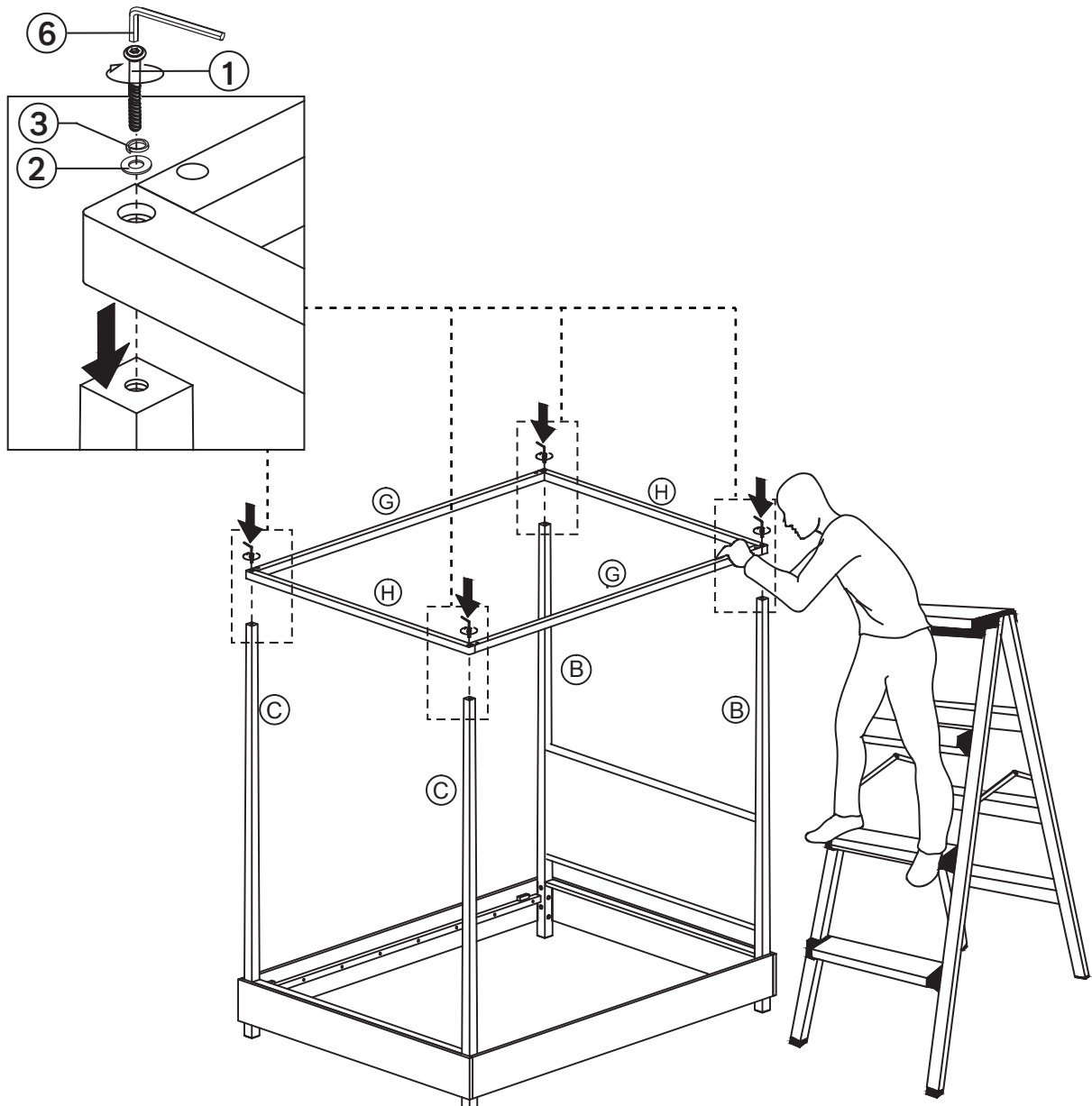
CALLUM QUEEN PLATFORM CANOPY QUEEN BED WITH HEADBOARD

ASSEMBLY ALERT

- MENDING PLATES SHOULD ONLY BE ATTACHED WHEN BED IS DELIVERED AND ASSEMBLED IN HOME. THEY SHOULD NOT BE ATTACHED DURING PRE-INSPECTION BY DELIVERY AGENTS.
- PLEASE USE A LADDER WHILE ASSEMBLING THE CANOPY AND METAL BRACKETS.
- MAKE SURE THE LADDER IS STABLE AND SAFE BEFORE YOU CLIMB UP/DOWN.
- BE CAREFUL WHEN TIGHTENING THE SCREWS SO THE WOOD DOES NOT CRACK OR SPLINTER.
- PLEASE MAKE SURE THE METAL BRACKET IS NO LESS THAN 4MM FROM THE EDGE.

STEP 8:

This final procedure should be done by two people working together to carefully lift assembled canopy and place on top of bed posts. Insert the Flat Washer (2), Spring Washer (3), and Long Bolt (1) into the holes of Short Canopy Rails (H). Tighten with Allen Key (6).



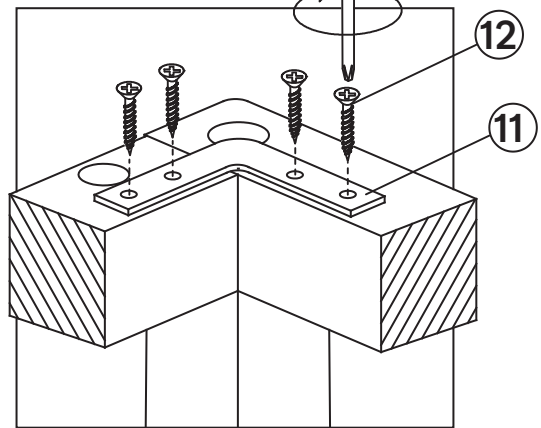
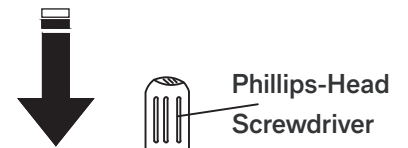
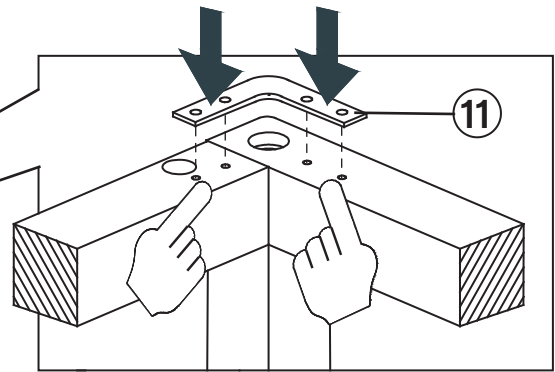
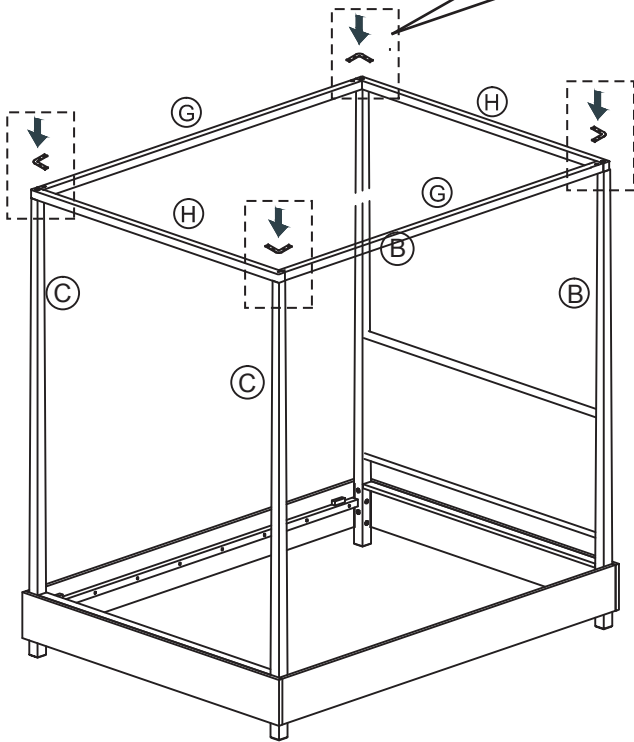
RHTEEN

CALLUM QUEEN PLATFORM CANOPY QUEEN BED WITH HEADBOARD

STEP 9:

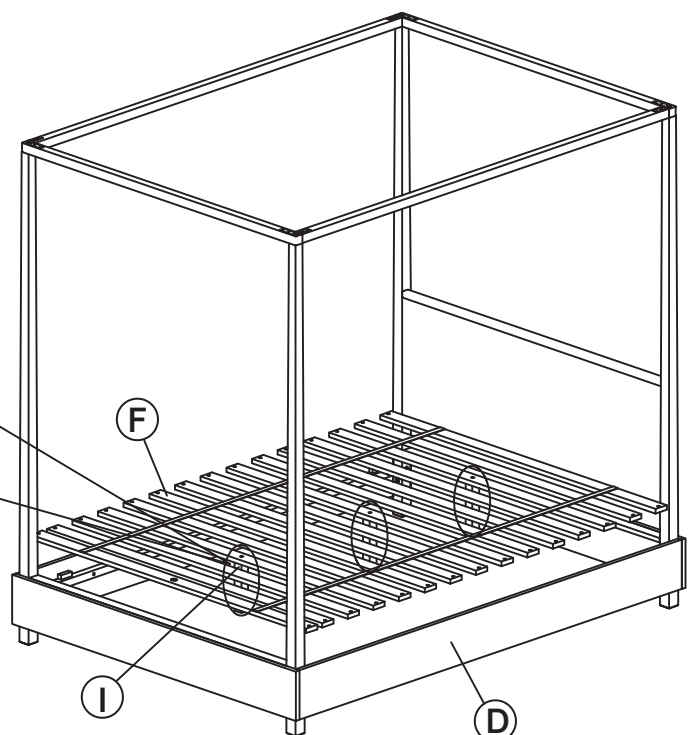
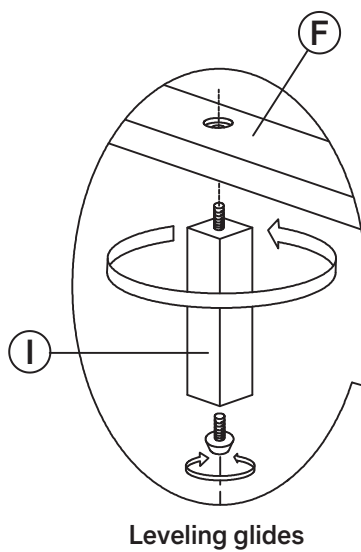
Attach Metal Brackets (11) onto the top of the canopy bed with Screws 7x20 mm (12), using Phillips-Head Screwdriver to tighten, (as shown below).

Repeat for the remaining 3 corners.



STEP 10:

Tighten the Support Legs (I) to the Slat Roll (F). Then lay the Slat Roll (F) in between the Long Side Rails (D).



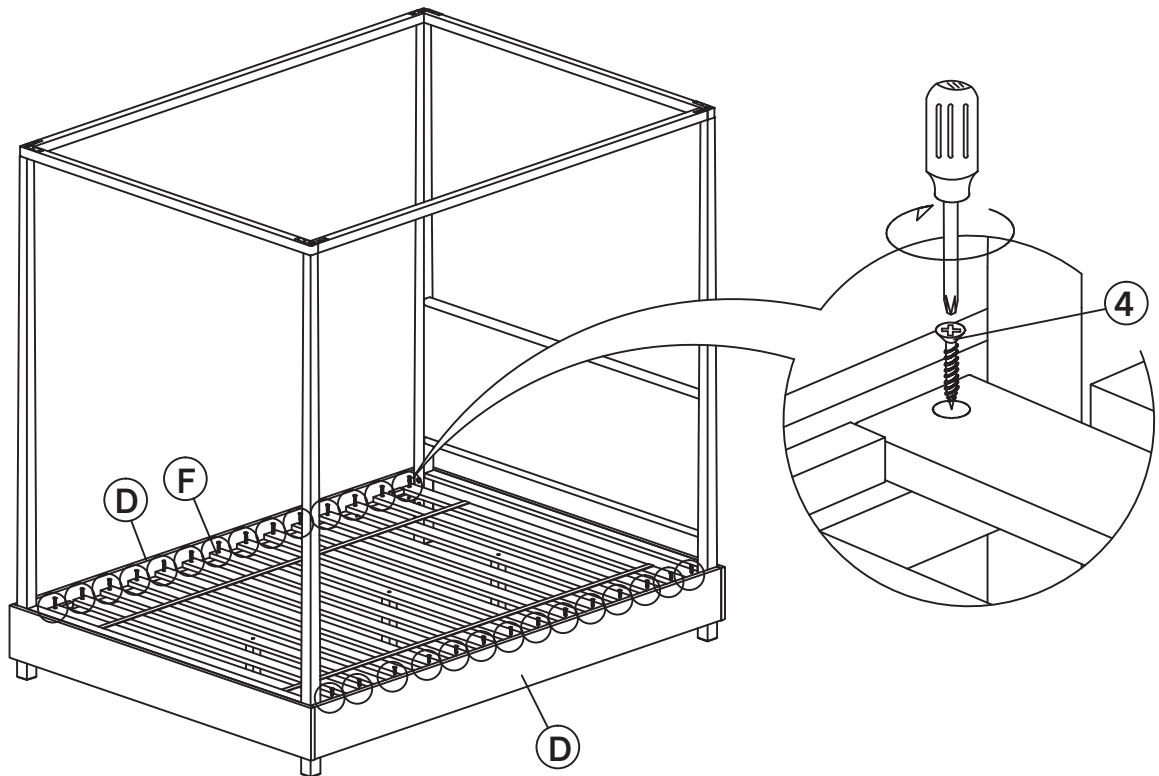
RHTEEN

CALLUM QUEEN PLATFORM CANOPY QUEEN BED WITH HEADBOARD

STEP 11:

Attach the Slat Roll (F) onto the Long Side Rails (D) by using Long Screws (4), and tighten with a screwdriver.

Assembly is completed.



CARE INSTRUCTIONS:

- Dust often using a clean, soft, dry lint-free cloth.
- Blot spills immediately, and wipe with a clean, damp cloth.
- We do not recommend the use of chemical cleansers, abrasives, or furniture polish on our lacquered finish.