

RH BABY & CHILD

PANEL TWIN BED INSTRUCTIONS

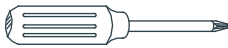
CARE INSTRUCTIONS:

1. DUST OFTEN USING A CLEAN, SOFT, DRY LINT-FREE CLOTH.
2. BLOT SPILLS IMMEDIATELY, AND WIPE WITH A CLEAN, DAMP CLOTH.
3. WE DO NOT RECOMMEND THE USE OF CHEMICAL CLEANSERS, ABRASIVES OR FURNITURE POLISH ON LACQUERED FINISH.

PARTS INCLUDED

- A [1] HEADBOARD
- B [1] FOOTBOARD
- C [1] LEFT SIDE RAIL
- D [1] RIGHT SIDE RAIL
- E [3] SLATS
- F [2] PLATFORM PANELS

TOOLS NEEDED



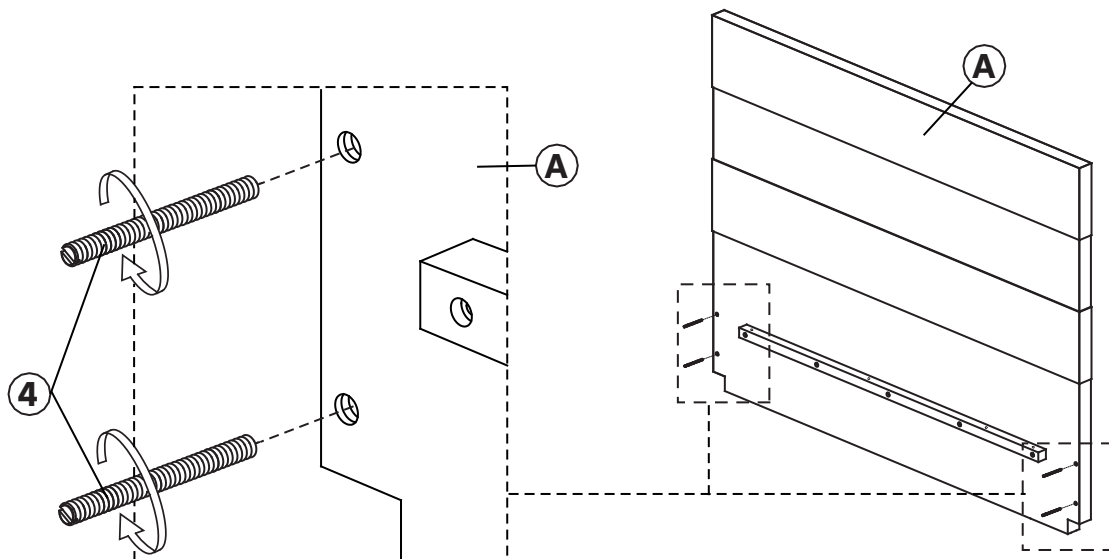
Phillips-head screwdriver (not included)

NO.	ITEM	DESCRIPTION	QTY.
1		Bolts 5/16" x 1"	8 pcs.
2		Spring Washers 5/16" x 13mm	8 pcs.
3		Flat Washers 5/16" x 19mm	8 pcs.
4		Threaded Rod 5/16" x 3"	4 pcs.
5		Hex Nut 5/16" x 12mm	4 pcs.
6		Curved Slotted Washer 5/16"	4 pcs.
7		Screws 8 x 30 mm	26 pcs.
8		Allen Key 4 mm	1 pc.
9		Hex Wrench 12 mm	1 pc.
10		Metal Bracket	2 pcs.

ASSEMBLY INSTRUCTIONS:

STEP 1:

- Secure the Threaded Rod (4) to the Headboard (A).

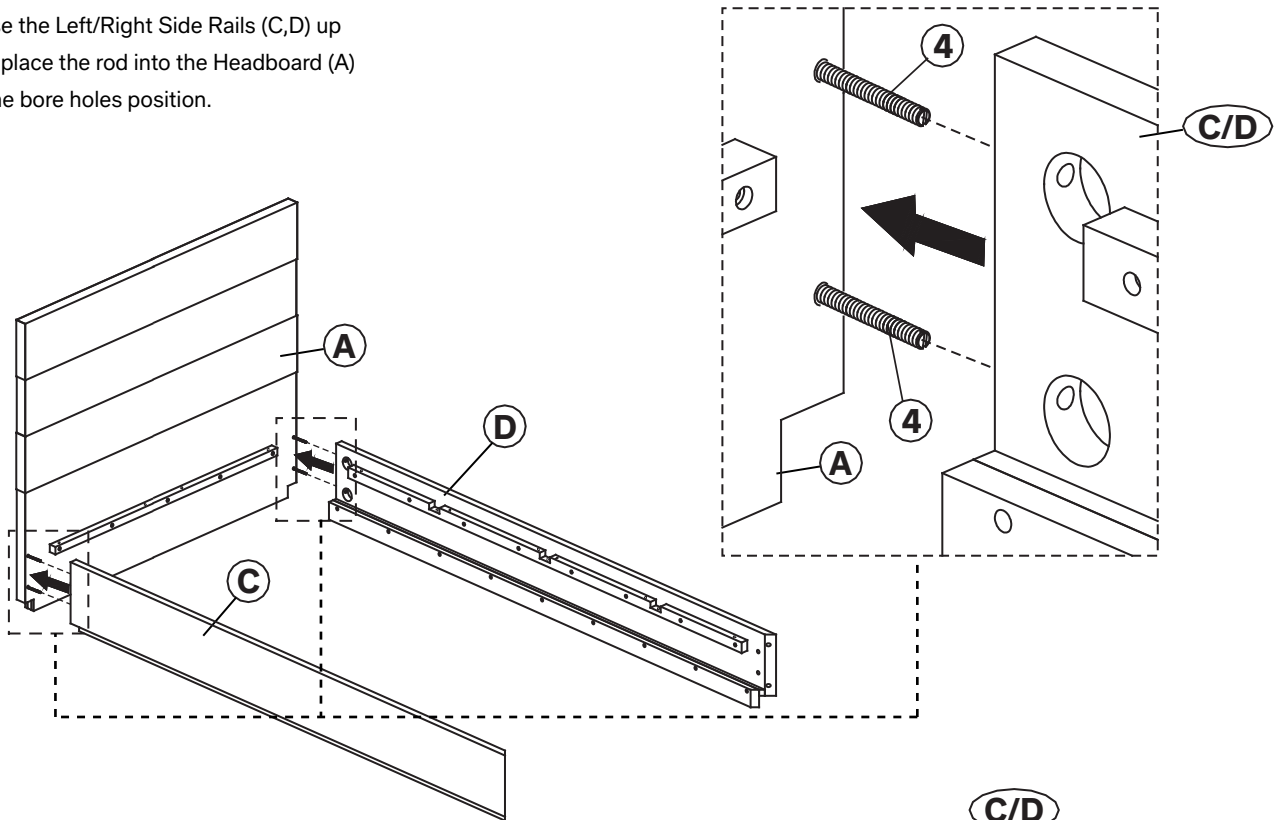


RH BABY & CHILD

PANEL TWIN BED INSTRUCTIONS

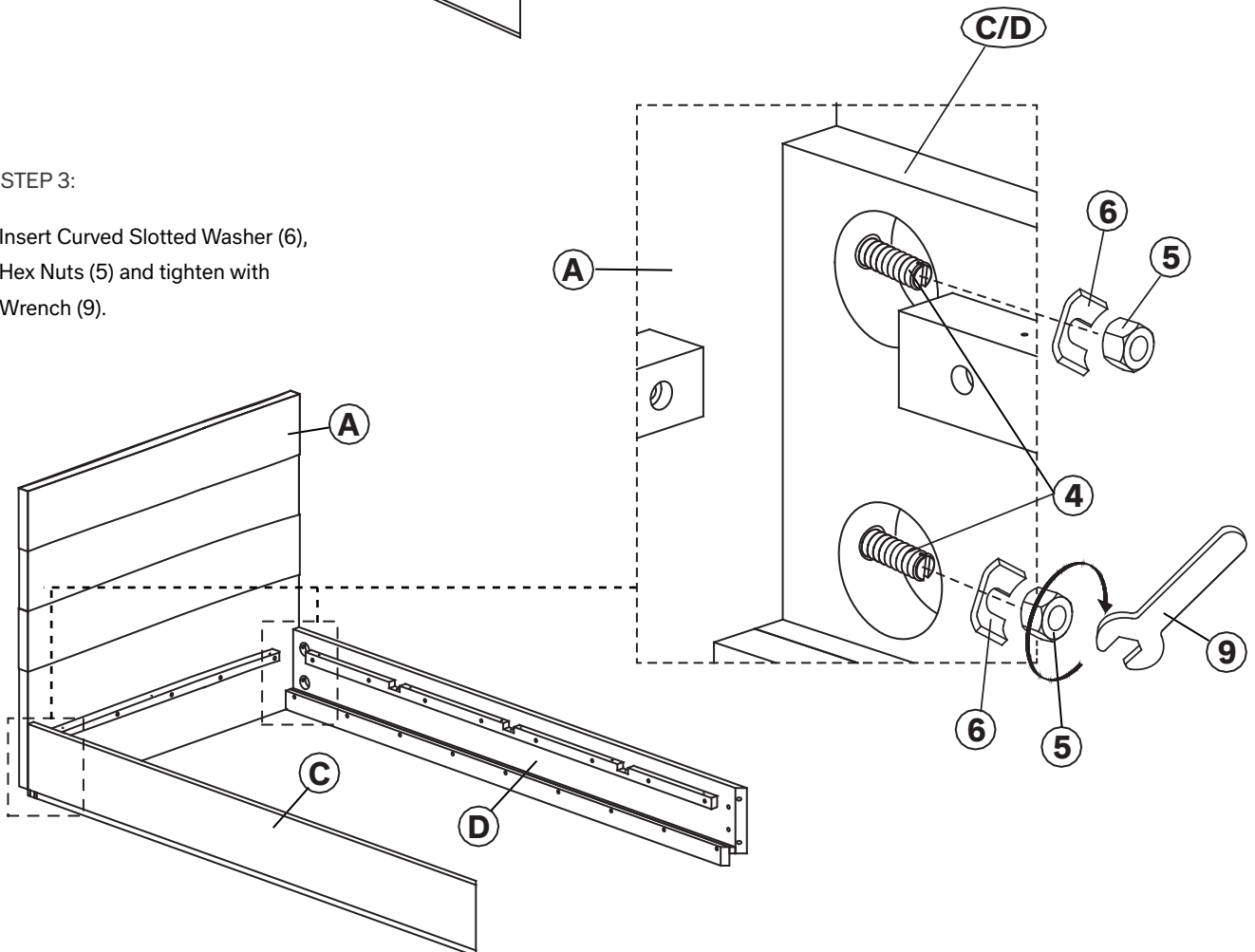
STEP 2:

Raise the Left/Right Side Rails (C,D) up and place the rod into the Headboard (A) at the bore holes position.



STEP 3:

Insert Curved Slotted Washer (6), Hex Nuts (5) and tighten with Wrench (9).



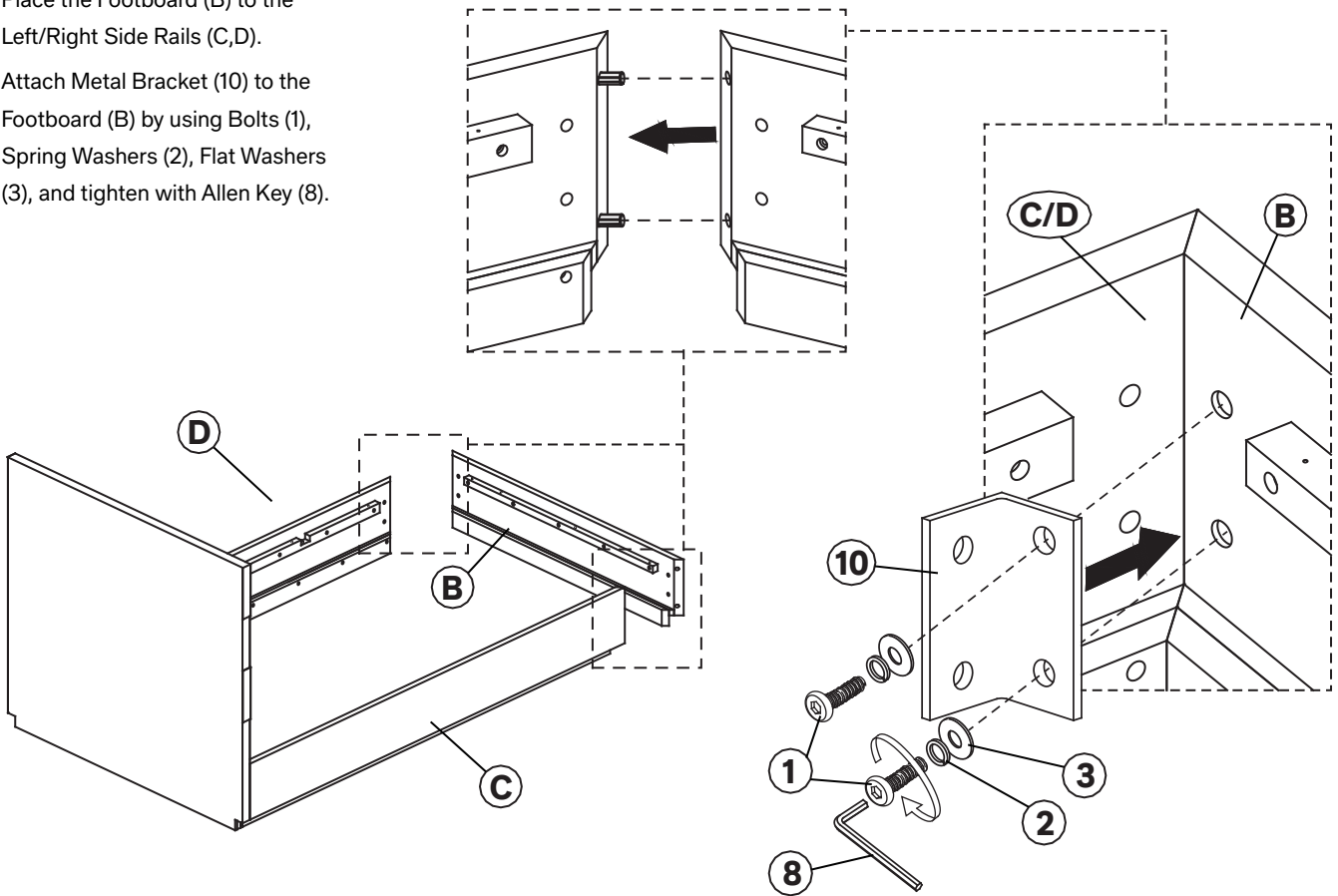
RHBABY&CHILD

PANEL TWIN BED INSTRUCTIONS

STEP 4:

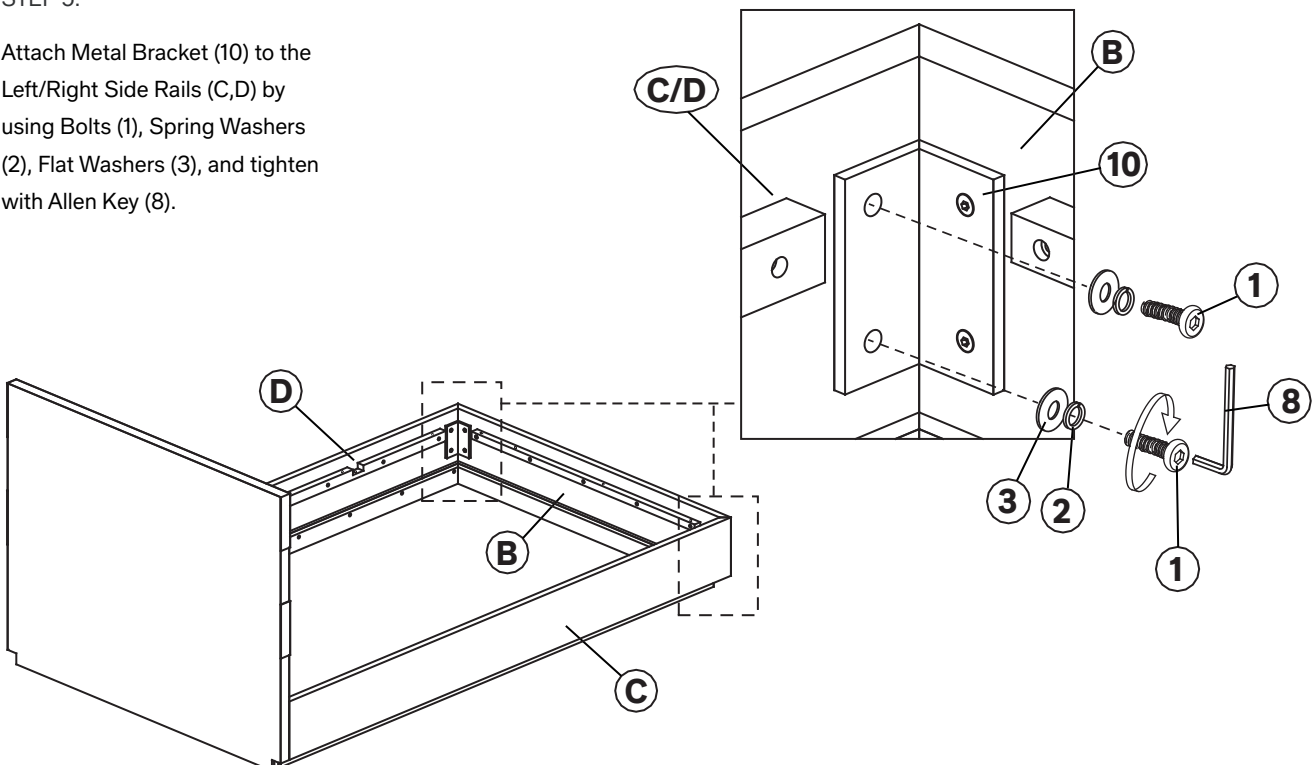
Place the Footboard (B) to the Left/Right Side Rails (C,D).

Attach Metal Bracket (10) to the Footboard (B) by using Bolts (1), Spring Washers (2), Flat Washers (3), and tighten with Allen Key (8).



STEP 5:

Attach Metal Bracket (10) to the Left/Right Side Rails (C,D) by using Bolts (1), Spring Washers (2), Flat Washers (3), and tighten with Allen Key (8).

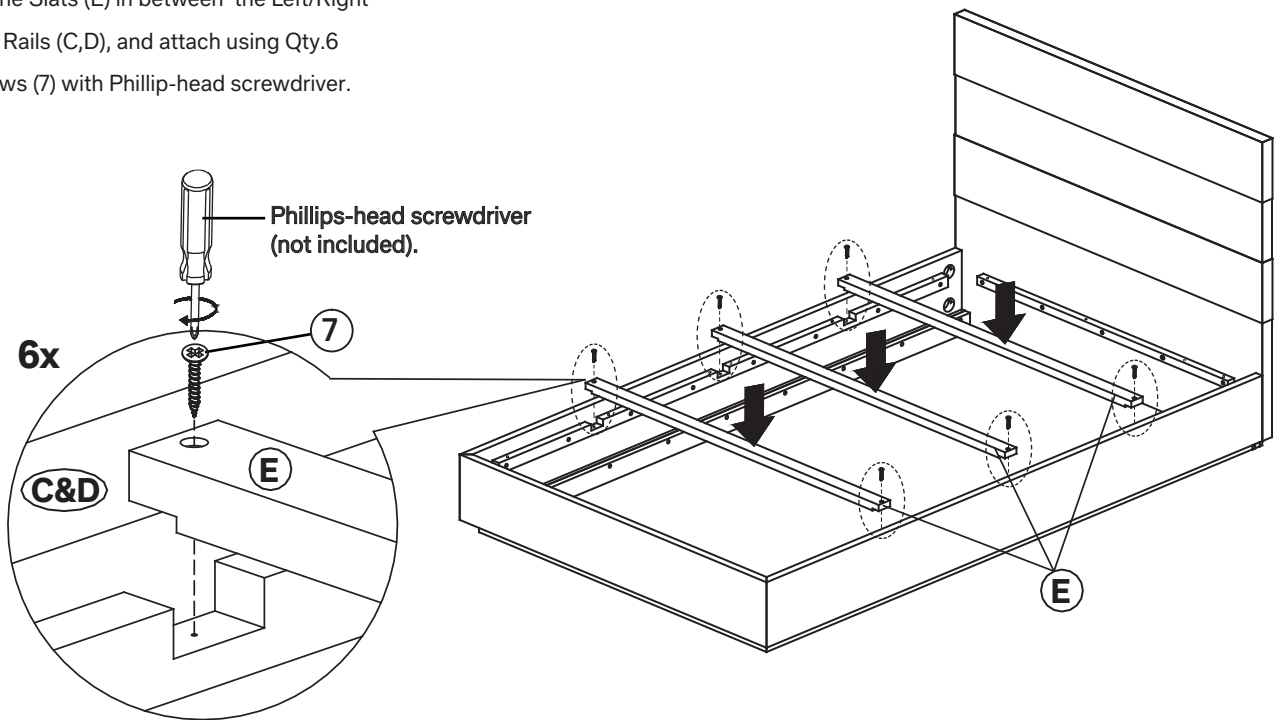


RHBABY&CHILD

PANEL TWIN BED INSTRUCTIONS

STEP 6:

Lay the Slats (E) in between the Left/Right Side Rails (C,D), and attach using Qty.6 Screws (7) with Phillip-head screwdriver.



STEP 7:

Lay the Platform Panels (F) on top of the Slats (E) and attach using Qty.20 Screws (7) with Phillip-head screwdriver.

