

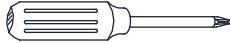
# RHTEEN

## CALLUM BOOKCASE INSTRUCTIONS

### PARTS INCLUDED

- A [1] BOOKCASE
- B [3] WOODEN SHELF

### TOOLS NEEDED



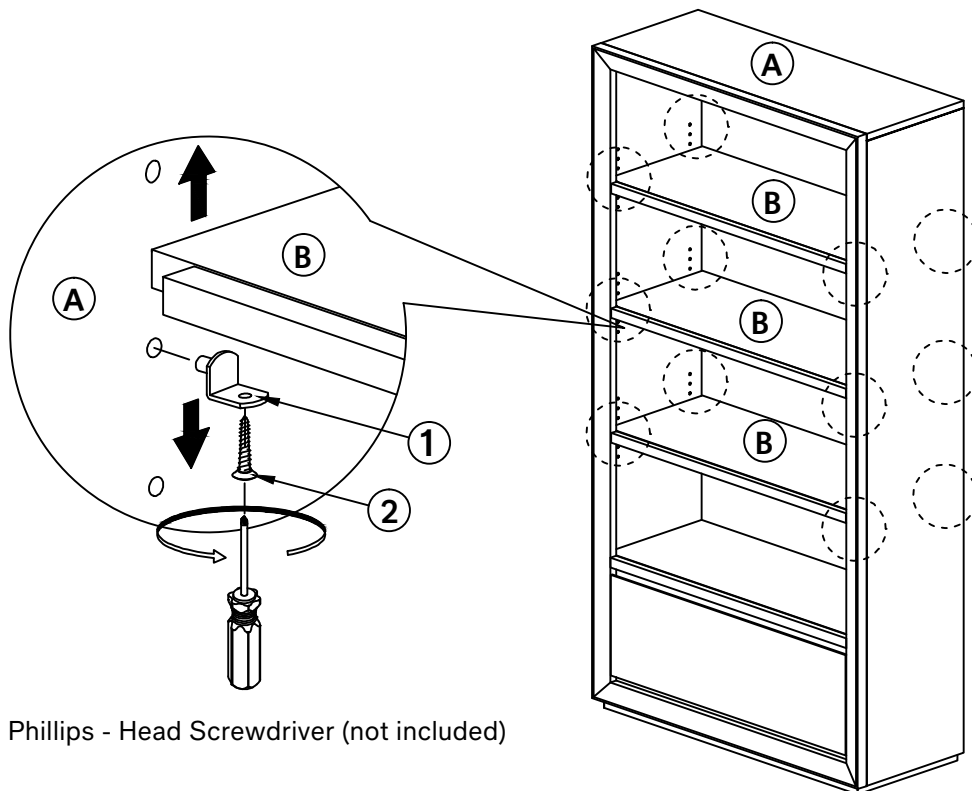
PHILLIPS-HEAD SCREWDRIVER ( NOT INCLUDED)

### ASSEMBLY INSTRUCTIONS

INSERT SHELF CLIPS (1) INTO THE HOLES IN THE BOOKCASE (A). PLACE EACH WOODEN SHELF (B) ONTO SHELF CLIPS (1). USING SCREW (2), AND PHILLIPS - HEAD SCREWDRIVER, TIGHTEN EACH CLIP.

**NOTE:** REMOVE THE SCREWS FROM THE SHELF CLIPS TO ADJUST THE PLACEMENT OF WOODEN SHELVES

NO.	ITEM	DESCRIPTION	QTY.
1		Shelf clip	12 pcs.
2		Screw 7 x 15mm	12 pcs.
3		Plastic anchors	4 pcs.
4		Plastic brackets	4 pcs.
5		Restraint straps	2 pcs.
6		Phillips screws M4 x 30mm	4 pcs.
7		Phillips screws M4 x 20mm	4 pcs.



Phillips - Head Screwdriver (not included)

**FURNITURE TIPPING RESTRAINT:**

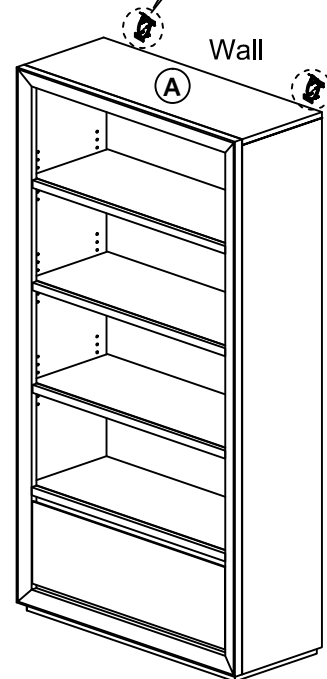
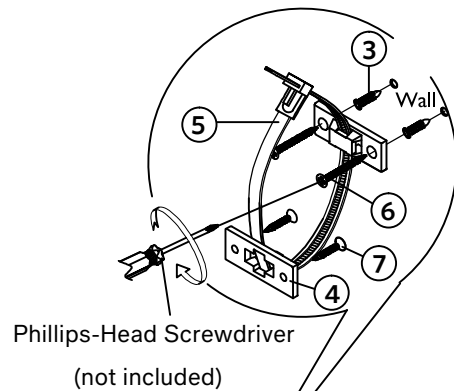
YOUNG CHILDREN MAY BE INJURED BY TIPPING FURNITURE AND THE USE OF A TIPPING RESTRAINT IS HIGHLY RECOMMENDED. WHEN PROPERLY INSTALLED, THIS RESTRAINT COULD PROVIDE PROTECTION AGAINST THE UNEXPECTED TIPPING OF FURNITURE DUE TO SMALL TREMORS, BUMPS OR CLIMBING. WE RECOMMEND MOUNTING THIS RESTRAINT TO A WALL STUD.

**WARNING :**

THIS PRODUCT IS ONLY A DETERRENT. IT IS NOT A SUBSTITUTE FOR PROPER ADULT SUPERVISION.

**ASSEMBLY INSTRUCTIONS:**

1. ATTACH ONE OF THE MOUNTING BRACKETS NEAR THE TOP BACK EDGE OF THE FURNITURE PIECE BY INSERTING THE SHORTER SCREWS.
2. DETERMINE THE FINAL POSITION OF THE FURNITURE PIECE. MARK LOCATION ON THE WALL APPROXIMATELY 2" BELOW THE BRACKET MOUNTED TO THE BACK OF THE FURNITURE.
3. DRILL A STARTER HOLE INTO THE WALL STUD. IF WALL STUD IS NOT AVAILABLE, DRILL A HOLE INTO THE WALL AND INSERT PLASTIC ANCHOR. GENTLY TAP THE ANCHOR UNTIL THE FLANGE OF THE ANCHOR IS FLUSH WITH THE WALL.
4. ATTACH THE SECOND BRACKET BY INSERTING THE LONGER SCREW THROUGH THE BRACKET AND INTO THE WALL.
5. PLACE THE FURNITURE SO THE BRACKET ON THE BACK EDGE IS IN LINE WITH THE BRACKET IN THE WALL.
6. LACE ONE END OF THE NYLON RESTRAINT STRAP DOWN THROUGH EACH BRACKET. BRING BOTH ENDS TOGETHER AND SLIDE THE EADED END UNTIL IT SNAP LOCKS INTO THE KEYHOLE SLOT.
7. TO DOUBLE LOCK; RETURN THE BEADED END BACK THROUGH THE KEYHOLES AS SHOWN.
8. CHECK TO MAKE SURE THE RESTRAINT STRAP IS SECURELY LACED AND LOCKED TO THE BRACKETS.



**CARE INSTRUCTIONS:**

1. DUST OFTEN USING A CLEAN, SOFT, DRY LINT-FREE CLOTH.
2. BLOT SPILLS IMMEDIATELY, AND WIPE WITH A CLEAN, DAMP CLOTH.
3. WE DO NOT RECOMMEND THE USE OF CHEMICAL CLEANSERS, ABRASIVES, OR FURNITURE POLISH ON LACQUERED FINISH.