

RHBABY&CHILD


CALLUM CRIB

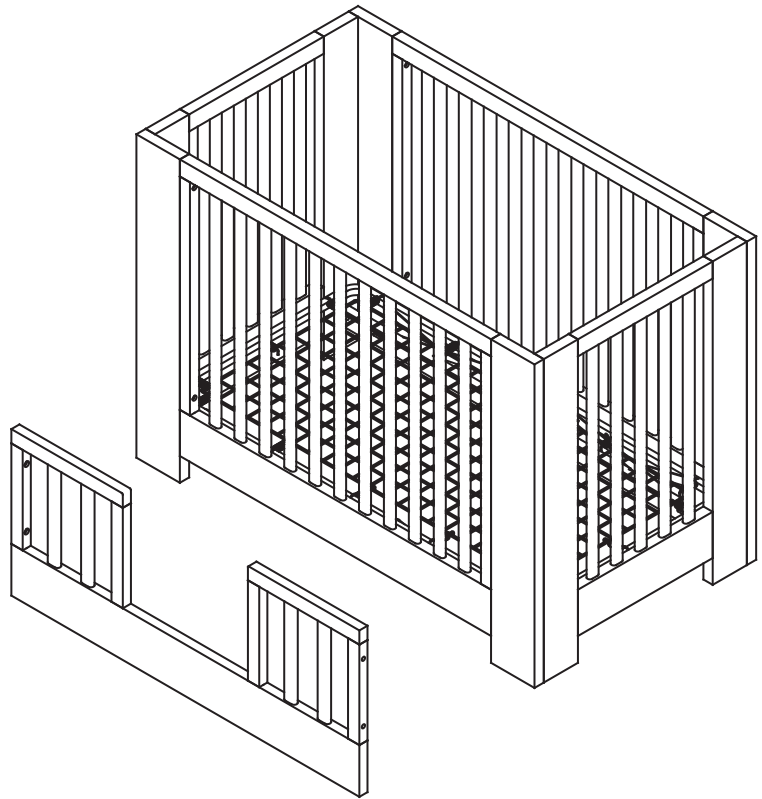
Made in Vietnam

Model No: 355 - 130/46

Distributed in the U.S.A by:
RH Baby&Child
2900 N MACARTHUR DRIVE
TRACY, CA 95376
www.rhbabyandchild.com

Distributed in Canada by:
RH Canada, Inc.
1500-1055 West Georgia Street
Vancouver, British Columbia
V6E4N7

 **WARNING:** Read all Instructions before assembling this product.
KEEP INSTRUCTIONS FOR FUTURE USE.



TODDLER KIT (SOLD SEPARATELY)

1. Read all instructions before assembly crib. Keep instructions for future use.
2. Never use plastic shipping bags or other plastic film as mattress covers because they can cause suffocation.
3. Infants can suffocate in gaps between crib sides and a mattress that is too small.

CUSTOMER SERVICE

If you are missing parts or have any questions about this product, contact us first. You can also order parts by writing to the address above. Include the product model number, color, and a brief description of the part. Or call 1-800-762-1751.

CARE AND CLEANING

DO NOT scratch or chip the finish. DO NOT use abrasive chemicals for cleaning. If the crib is to be stored, store in a cool, dry place and carefully package all original hardware to protect from loss.

TOOLS AND INSTALLATION

Tools needed: Key Wrench (included).

Two people are recommended for assembly.

When inserting bolts, turn clockwise until tight. Then loosen 1/2-3/4 of a turn. After bed is completely assembled, return to each bolt and tighten.



WARNING: Infants can suffocate on soft bedding. Never add a pillow or comforter. Never place additional padding under an infant.



WARNING: Failure to follow these warnings and the assembly instructions could result in serious injury or death.

- Never use plastic shipping bags or other plastic film as mattress covers because they can cause suffocation.
- Infants can suffocate in gaps between crib sides and a mattress that is too small.
- To reduce the risk of SIDS, pediatricians recommend healthy infants be placed on their backs to sleep, unless otherwise advised by your physician.

Strangulation Hazard:

- Strings can cause strangulation! DO NOT place items with a string around a child's neck, such as hood strings or pacifier cords. DO NOT suspend strings over a crib or attach strings to toys.
- To help prevent strangulation, tighten all fasteners. A child can trap parts of the body or clothing on loose fasteners.
- DO NOT place crib near window where cords from blinds or drapes may strangle a child.

Fall Hazard:

- When child is able to pull to a standing position, set mattress to lowest position and remove bumper pads, large toys and other objects that could serve as steps for climbing out.
- When child is able to climb out or reaches the height of 35 inches (89cm), the crib shall no longer be used, and the child should be placed in a youth or regular bed.
- Check this product for damaged hardware, loose joints, missing parts or sharp edges before and after assembly and frequently during use. DO NOT use crib if any parts are missing, damaged or broken.
- Contact customer service at 1-800-762-1751 for replacement parts and instructional literature if needed.
- DO NOT substitute parts.
- DO NOT use a water mattress with this crib.
- If refinishing, use a non-toxic finish specified for children's products.
- Follow warnings on all products in a crib.
- Never use plastic shipping bags or other plastic film as mattress covers because they can cause suffocation.
- Infants can suffocate in gaps between crib sides and a mattress that is too small.

CAUTION: ANY MATTRESS USED IN THIS CRIB MUST BE AT LEAST 27 1/4 INCHES BY 51 5/8 INCHES WITH A THICKNESS NOT EXCEEDING 6 INCHES.



WARNING:

- Do not use this crib if the enclosed or attached instructions cannot be strictly adhered to. Do not use this crib if the child is able to climb out unaided or is taller than 35 inches (890mm). Do not place cords, straps or similar items that could become wound around the child's neck in or near this crib. Ensure that the sides are properly latched or locked in place when the crib is occupied. The mattress used with this crib should not be more than 5 7/8 inches (150mm) thick and should be of such length and width that the gap between the mattress and the sides of the crib is not more than 1 3/16 inches (30mm) when the mattress is pushed into the corner of the crib.
- Parents should inspect the crib regularly before putting the child in the crib each day and confirm that every component of the crib is properly and securely in place.



WARNING: ENTRAPMENT/STRANGULATION HAZARD

Infants have died in toddler beds from entrapment and strangulation. Failure to follow these warnings and the assembly instructions could result in serious injury or death.

NEVER use bed with children under 15 months.

NEVER place bed near windows where cords from blinds or drapes may strangle a child.

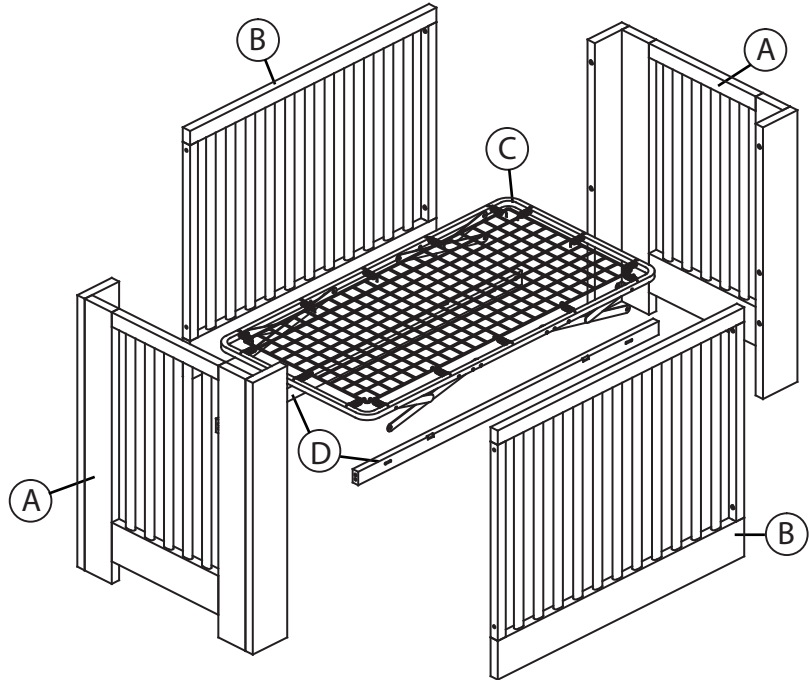
- The mattress intended for use on the bed must be a full-size crib mattress having minimum dimensions of 51 5/8 inches (1310mm) in length, 27 1/4 inches (690mm) in width and 4 inches (100mm) in thickness, not exceeding 6 inches (152mm) in thickness.
- If guardrails are used as the mattress containment means, guardrail(s) provided must be used to avoid the formation of a gap between the mattress and the bed that could cause an entrapment.
- DO NOT place bed near windows where cords from blinds or drapes may strangle a child.
- DO NOT place items with a string, cord, or ribbon around a child's neck, such as hood strings or pacifier cords.
- A child using the toddler or day bed must be at least 15 months of age and must not weigh more than 50 lbs (22.7kg).

RHBABY&CHILD

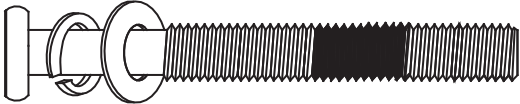
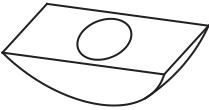



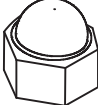
CALLUM CRIB

PARTS INCLUDED:

- A [2] HEADBOARD/FOOTBOARD
- B [2] STATIONARY SIDE RAILS
- C [1] MATTRESS SUPPORT
- D [2] STRETCHER BARS


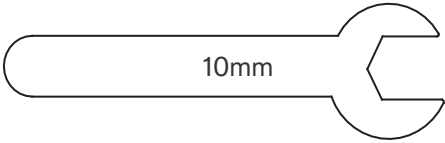

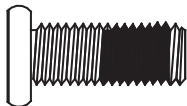

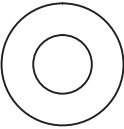


HARDWARE INCLUDED:

NO.	ITEM	DESCRIPTION	QTY.
1		Long Bolts 5/16" x 2-1/2"	4 pcs.
2		Half Moon Washer	4 pcs.
3		Medium Bolts 5/16" x 50mm	8 pcs.
4		Mattress Bolts 6 x 32mm	12 pcs.
5		Hex Nut 6 x 10mm	16 pcs.
6		Cap Hex Nut 6mm	12 pcs.

RH BABY & CHILD

CALLUM CRIB

NO.	ITEM	DESCRIPTION	QTY.
7		Allen Key 4mm	1 pc.
8		Multi Wrench 10mm	1 pc.
9		Mattress Bolts 6 x 40mm	4 pcs.
10		Short Bolts 5/16" x 3/4"	2 pcs.
11		Spring Washer 1/4" x 10mm	4 pcs.
12		Flat Washer 1/4" x 16mm	4 pcs.

ASSEMBLY INSTRUCTIONS

- Note:**
- Bed must be assembled by at least two people.
 - Please read instructions carefully before assembling bed.
 - Use the above parts and fittings list to identify each component.
 - Keep all packing materials until assembly is complete to avoid loss of smaller parts.
 - Do not completely tighten all bolts until all steps are finished.

RH BABY & CHILD

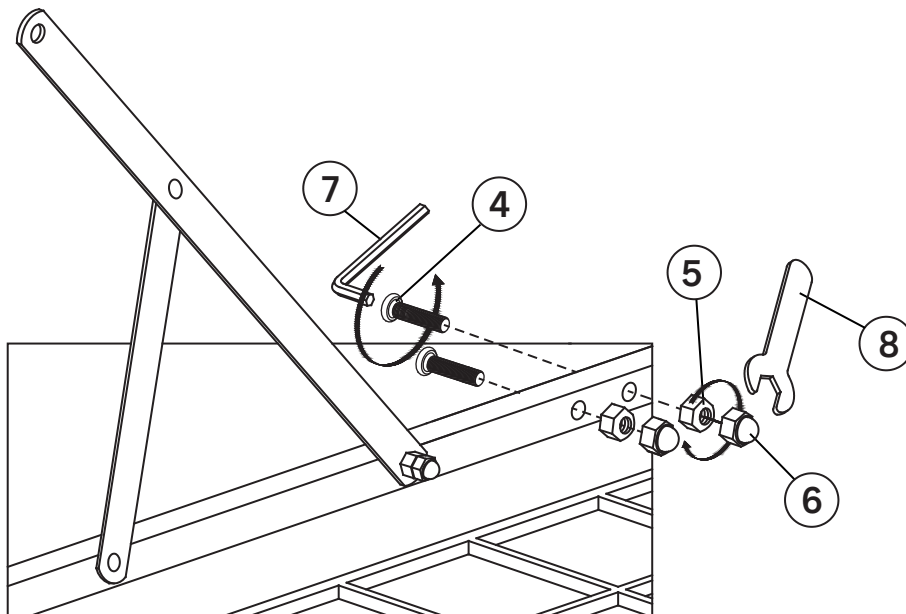
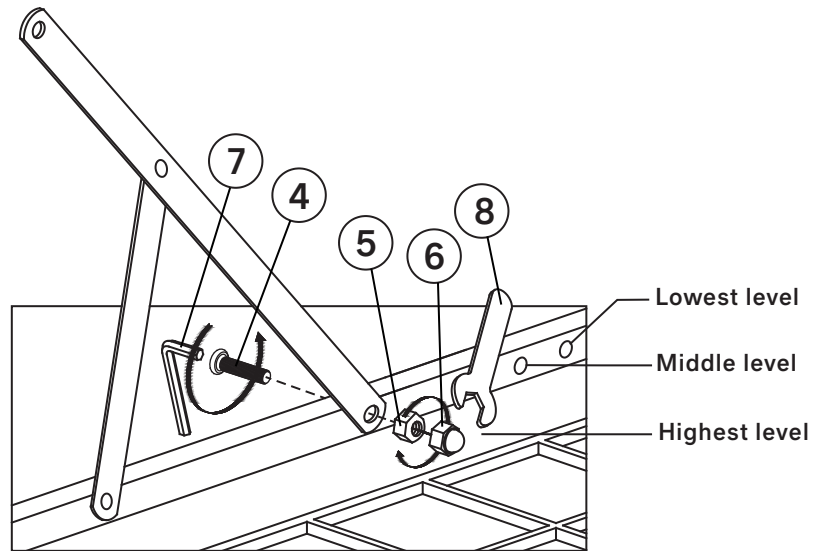
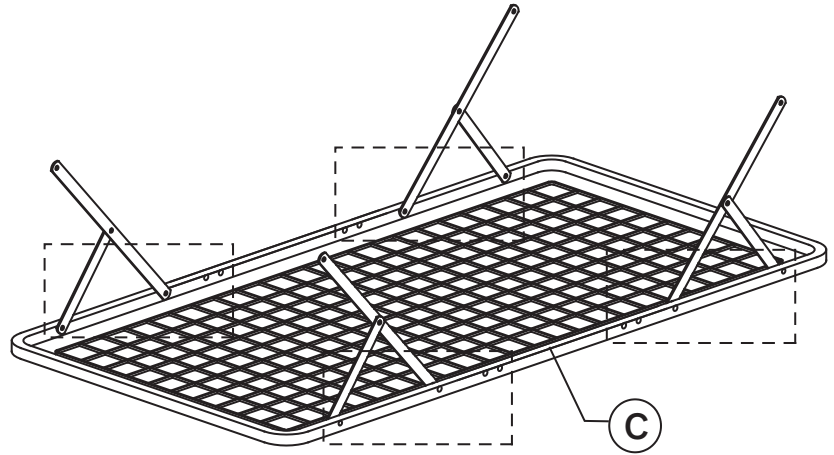
CALLUM CRIB

STEP 1:

Note: The Mattress Support (C) should be at the highest level when the child is born. It must be at the lowest level before the child can stand up. Before installing the Mattress Support (C), determine the desired height of the mattress.

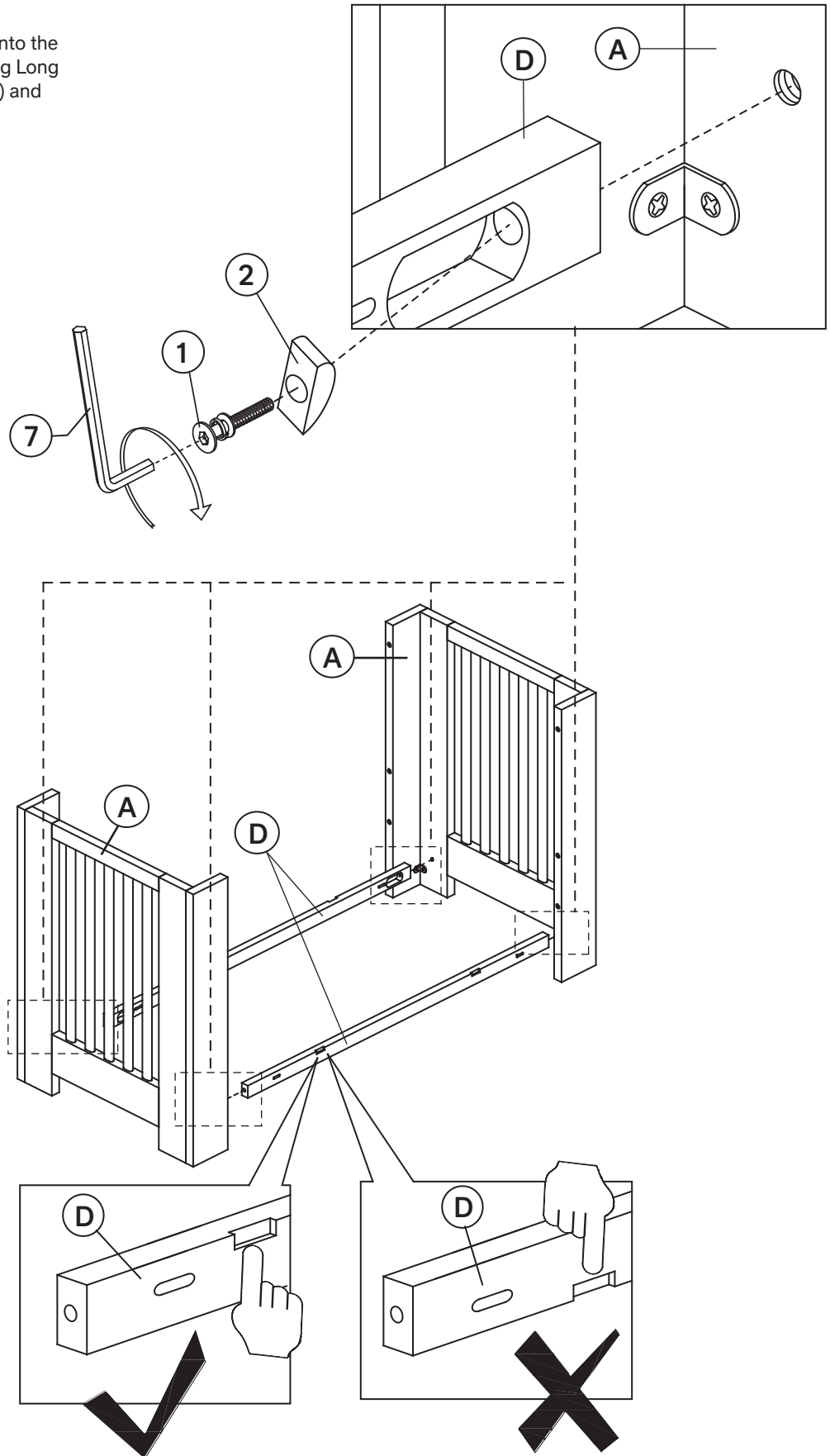
Attach scissor assembly bars to the Mattress Support (C) using Mattress Bolts (4), Hex Nut (5) and Cap Nut (6). Tighten with Allen Key (7) and Hex Wrench (8).

Next, insert Mattress Bolts (4) into the upper holes of the Mattress Support (C) using Hex Nut (5) and Cap Nut (6). Tighten with Allen Key (7) and Hex Wrench (8).



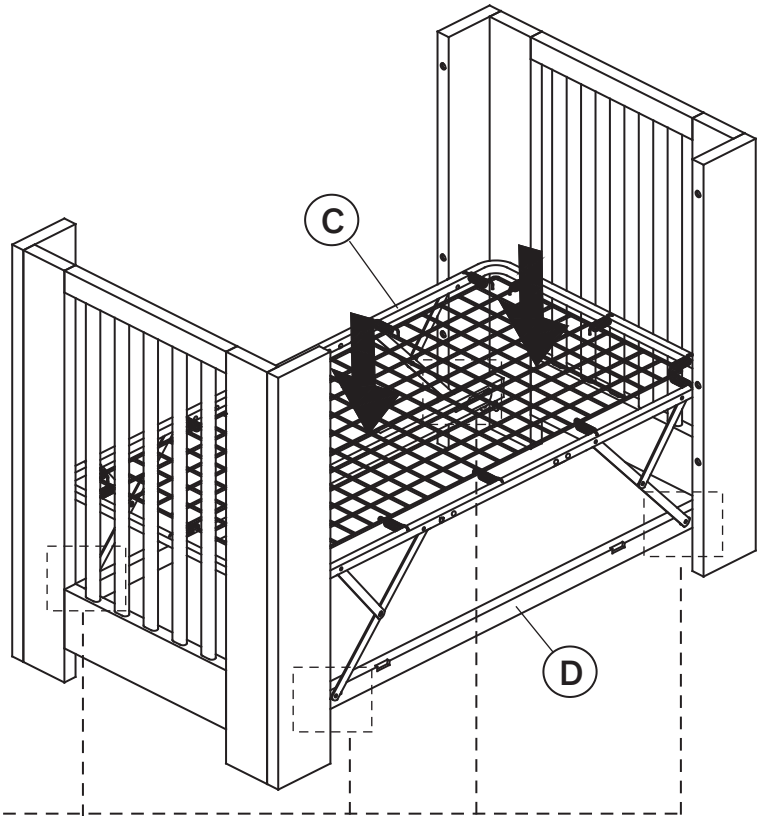
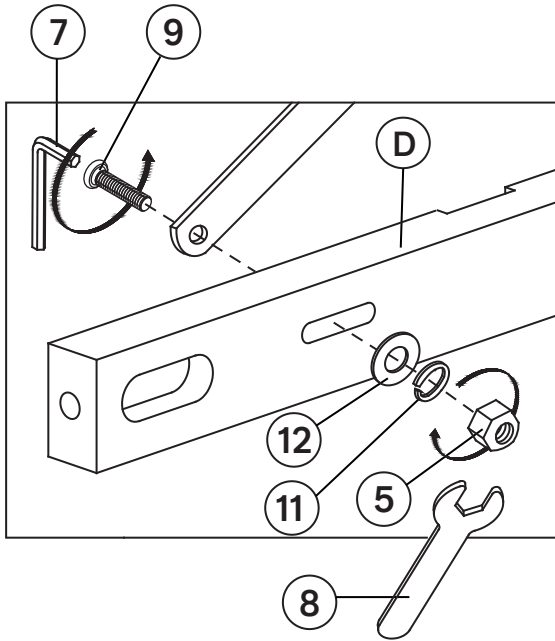
STEP 2:

Attach the Stretcher Bars (D) into the Headboard/Footboard (A) using Long Bolts (1), Half Moon Washer (2) and tighten with Allen Key (7).



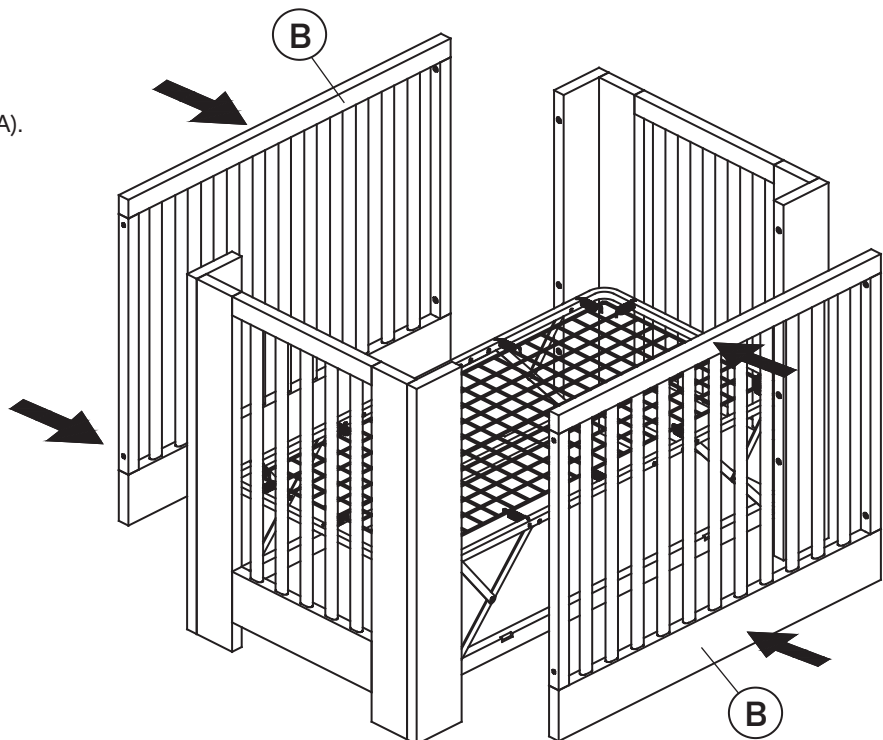
STEP 3:

Attach the Mattress Support (C) to the Stretcher Bars (D) using Mattress Bolts (9), Spring Washer (11) Flat Washer (12), Hex Nut (5), and tighten with Allen Key (7) and Hex Wrench (8).



STEP 4:

Lay the Stationary Side Rails (B) in between the Headboard/Footboard (A).

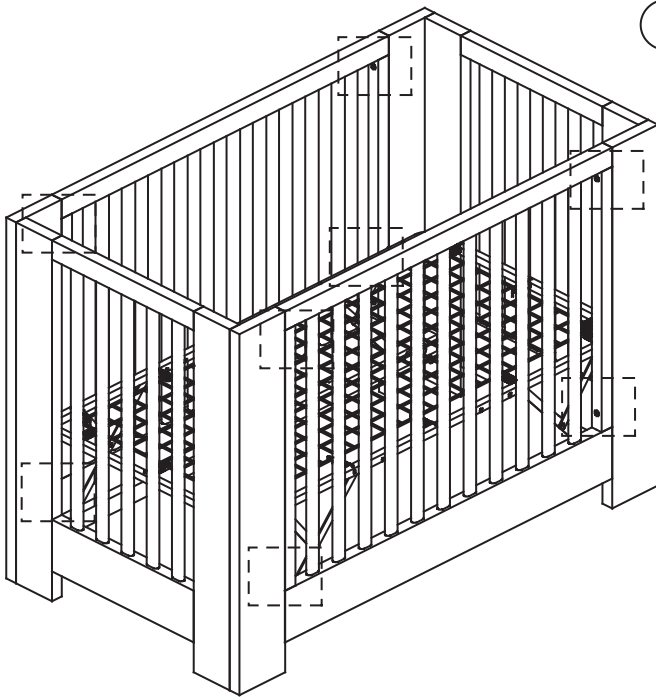
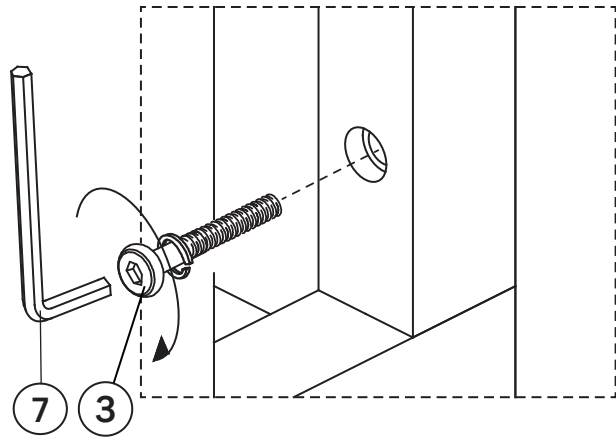


RHBABY&CHILD

CALLUM CRIB

STEP 5:

Attach the Stationary Side Rail (B) to the Headboard/Footboard (A) by using Medium Bolts (3) and tighten with Allen Key (7).



WARNING:

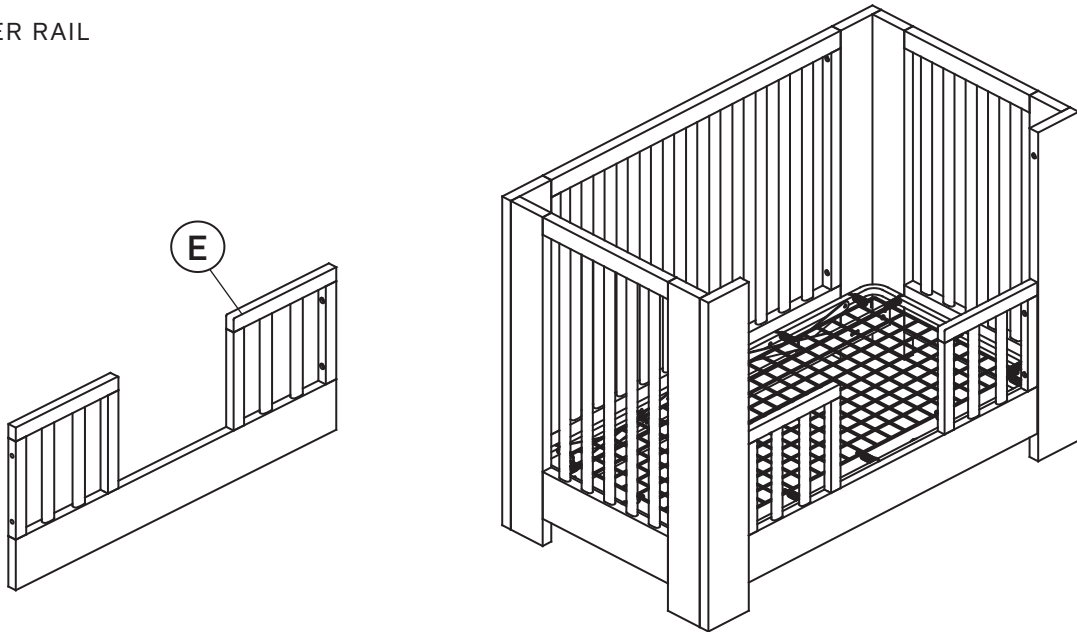
After crib is completely assembled, return to each bolt and tighten to snug fit. DO NOT over tighten.

RHBABY&CHILD




CALLUM CRIB

PARTS INCLUDED:

E[1] TODDLER RAIL

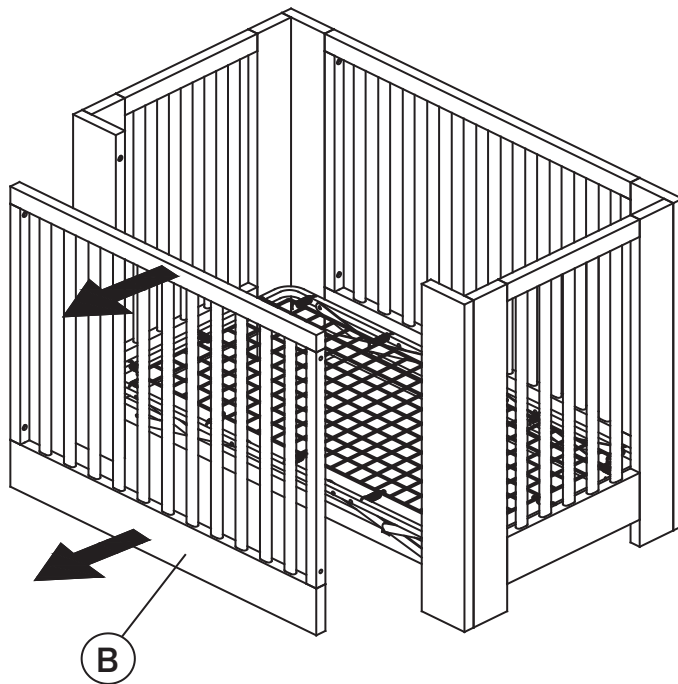
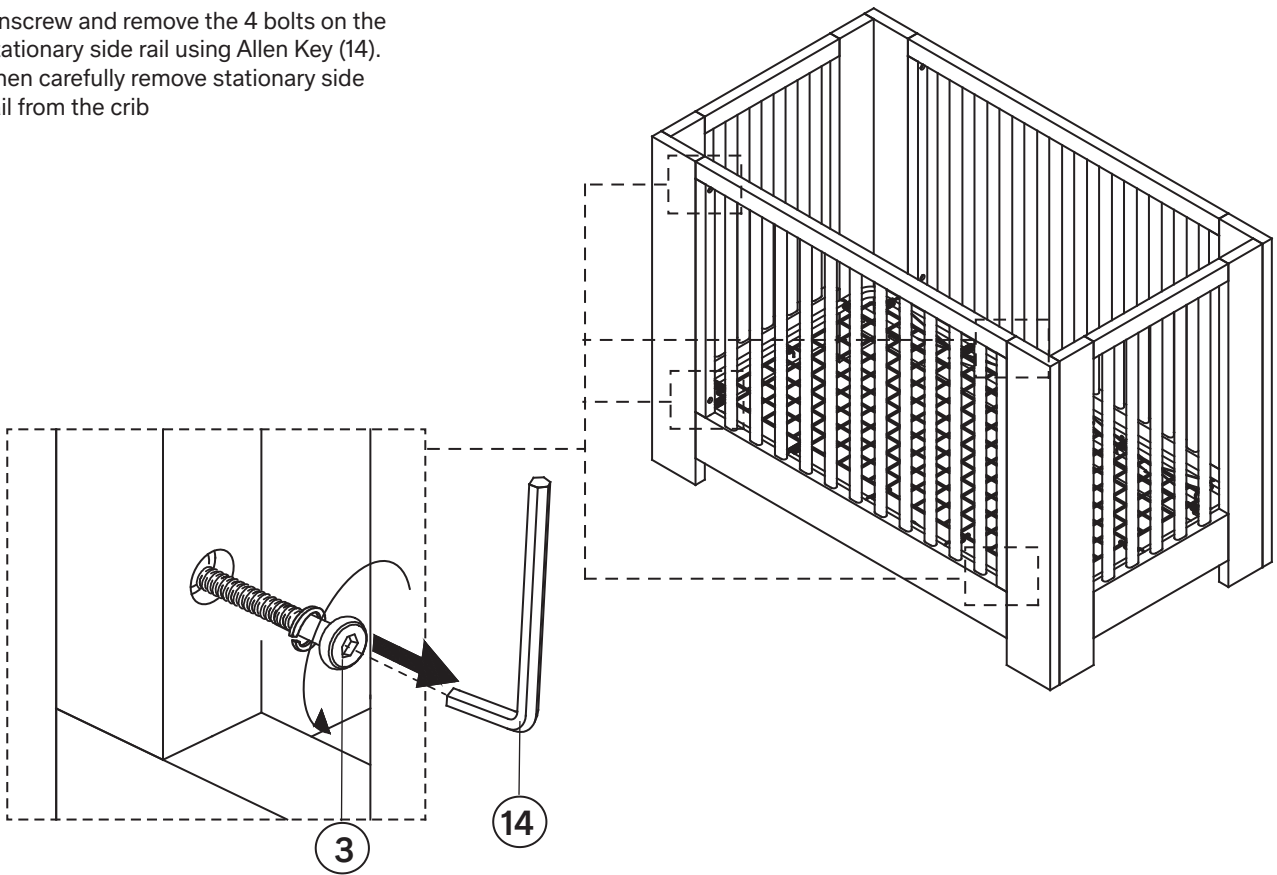


HARDWARE INCLUDED:

NO.	ITEM	DESCRIPTION	QTY.
13		Medium Bolts 5/16" x 50mm	4 pcs.
14		Allen Key 4mm	1 pc.
15		Short Bolts 5/16" x 3/4"	2 pcs.

STEP 6:

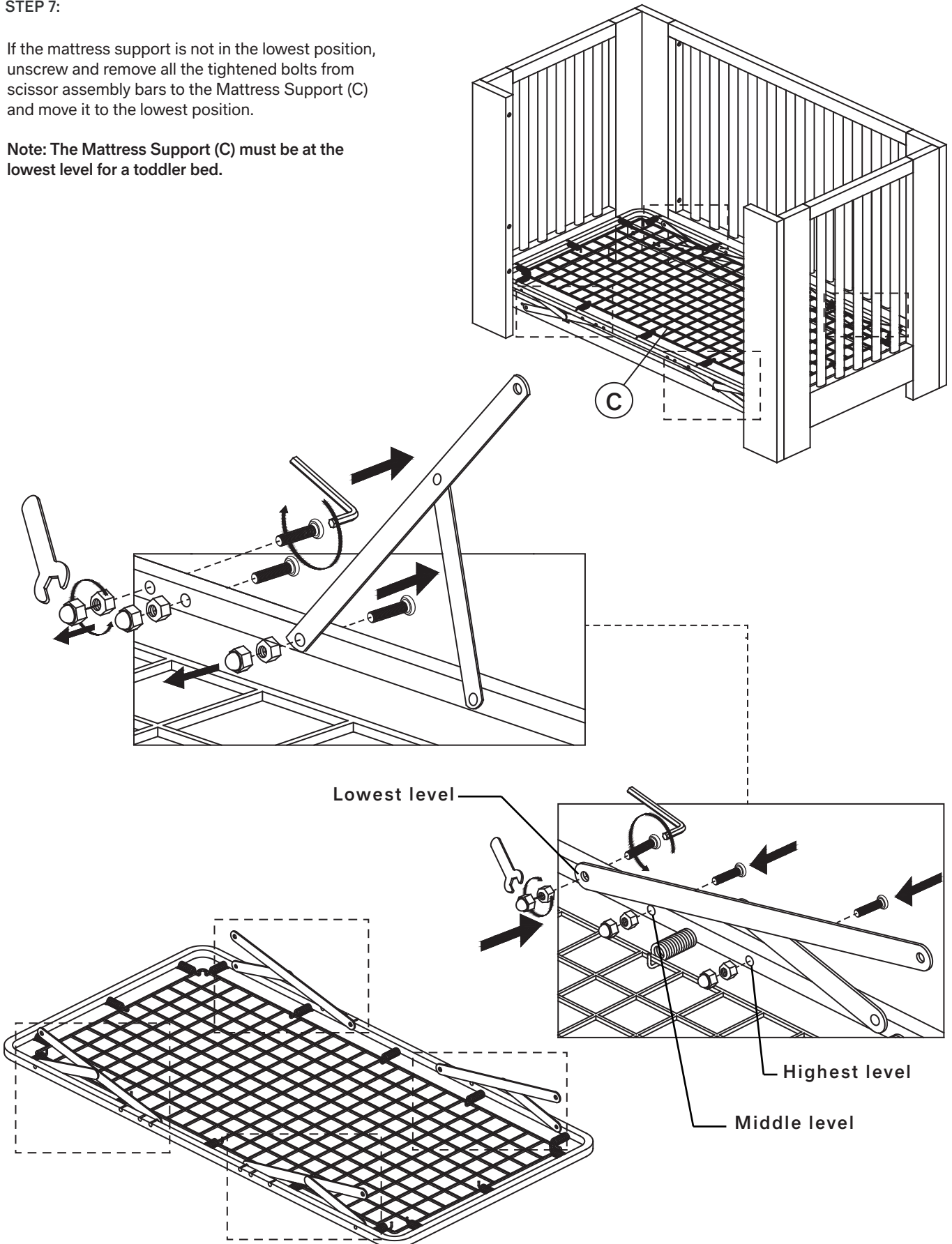
Unscrew and remove the 4 bolts on the stationary side rail using Allen Key (14). Then carefully remove stationary side rail from the crib.



STEP 7:

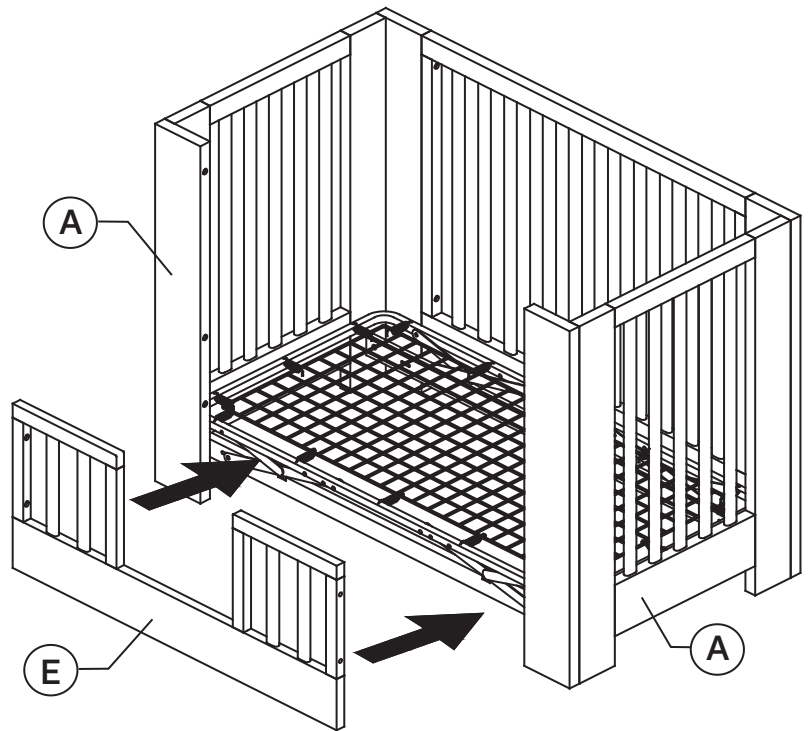
If the mattress support is not in the lowest position, unscrew and remove all the tightened bolts from scissor assembly bars to the Mattress Support (C) and move it to the lowest position.

Note: The Mattress Support (C) must be at the lowest level for a toddler bed.



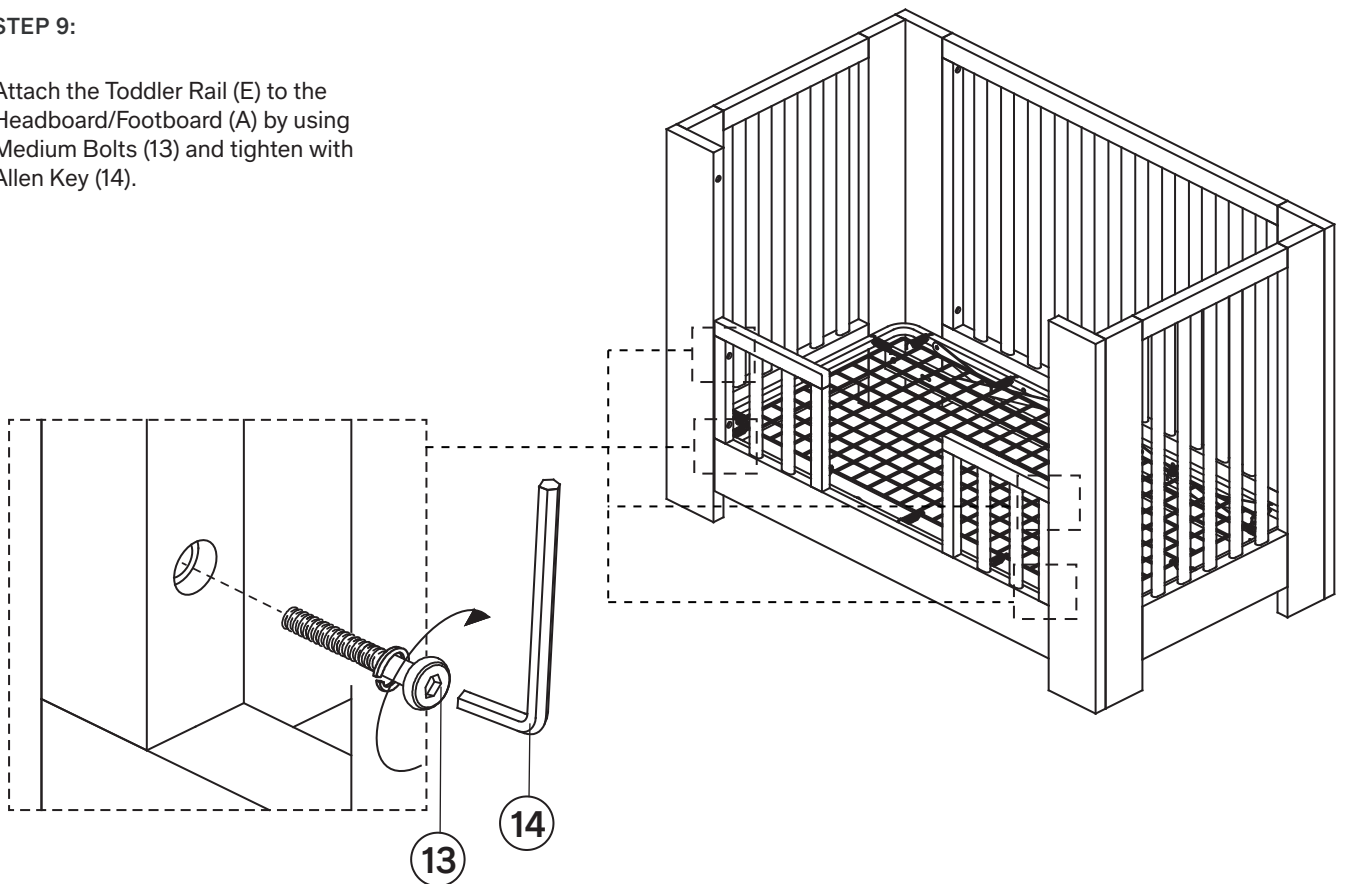
STEP 8:

Position the Toddler Rail (E) between the Headboard/Footboard (A).



STEP 9:

Attach the Toddler Rail (E) to the Headboard/Footboard (A) by using Medium Bolts (13) and tighten with Allen Key (14).

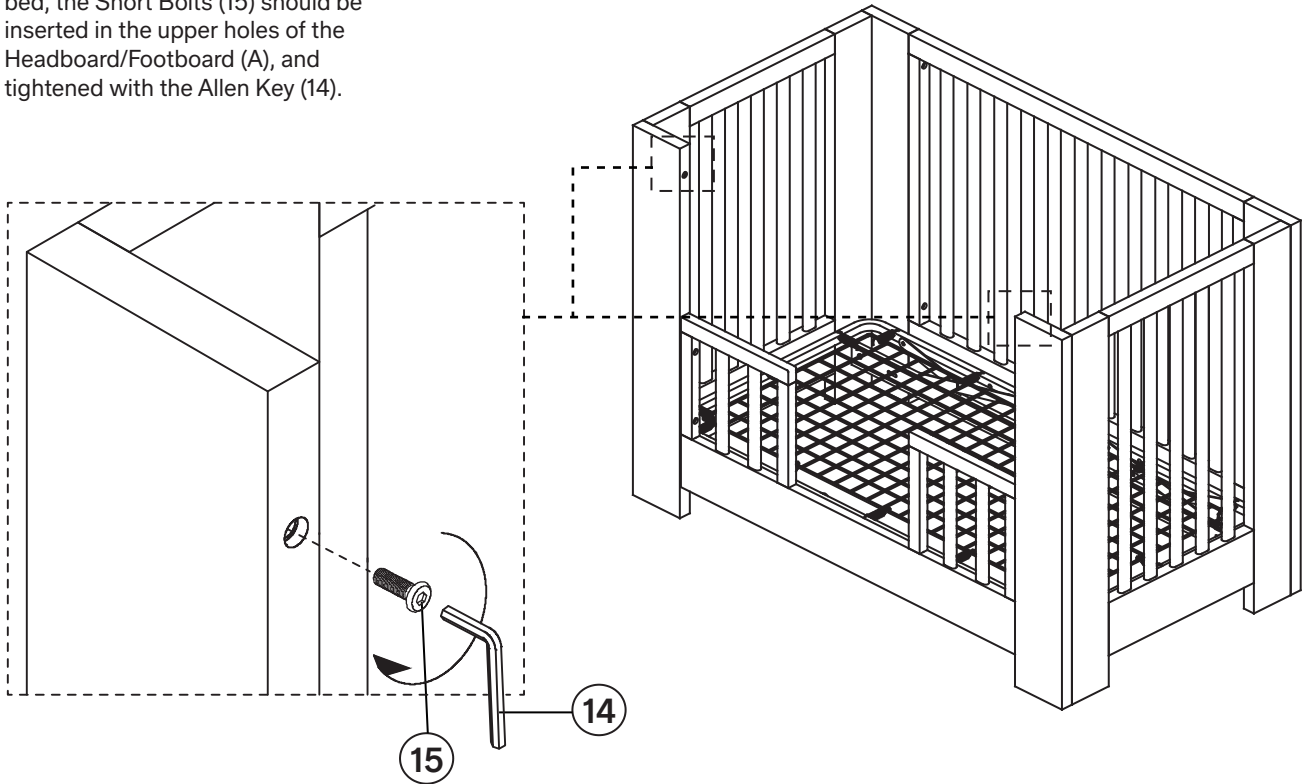


RH BABY & CHILD

CALLUM CRIB

STEP 10:

When converting the crib to toddler bed, the Short Bolts (15) should be inserted in the upper holes of the Headboard/Footboard (A), and tightened with the Allen Key (14).



! WARNING:

After crib is completely assembled, return to each bolt and tighten to snug fit.
DO NOT over tighten.



CARE INSTRUCTIONS:

1. DUST OFTEN USING A CLEAN, SOFT, DRY LINT-FREE CLOTH.
2. BLOT SPILLS IMMEDIATELY AND WIPE WITH A CLEAN, DAMP CLOTH.
3. DO NOT USE CHEMICAL CLEANSERS, ABRASIVES OR FURNITURE POLISH ON THE LACQUERED FINISH.