

RH BABY & CHILD

CALLUM EXTRA-WIDE DRESSER – ASSEMBLY INSTRUCTIONS

PARTS INCLUDED:

A [1] EXTRA-WIDE DRESSER

TOOLS NEEDED:



PHILLIPS-HEAD SCREWDRIVER (NOT INCLUDED)

ANTI-TIPPING RESTRAINT:


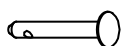



YOUNG CHILDREN MAY BE INJURED BY TIPPING FURNITURE. THE USE OF AN ANTI-TIPPING RESTRAINT IS HIGHLY RECOMMENDED. WHEN PROPERLY INSTALLED, THIS RESTRAINT COULD PROVIDE PROTECTION AGAINST THE UNEXPECTED TIPPING OF FURNITURE DUE TO SMALL TREMORS, BUMPS OR CLIMBING. **WE RECOMMEND ATTACHMENT TO A WALL STUD WHERE POSSIBLE OR INSTALLATION BY A PROFESSIONAL WHEN ATTACHING THE ANTI-TIP KIT TO MASONRY OR CONCRETE WALL.**

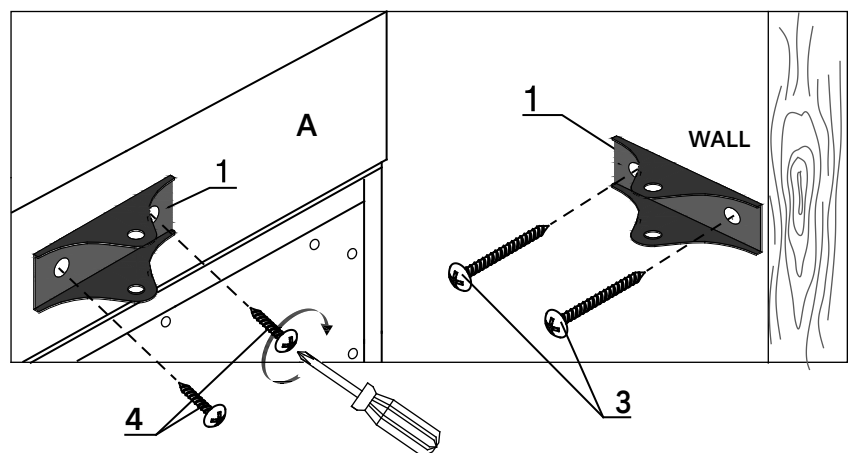
WARNING:

THE ANTI-TIPPING RESTRAINT IS ONLY A DETERRENT. IT IS NOT A SUBSTITUTE FOR PROPER ADULT SUPERVISION.

ASSEMBLY INSTRUCTIONS:

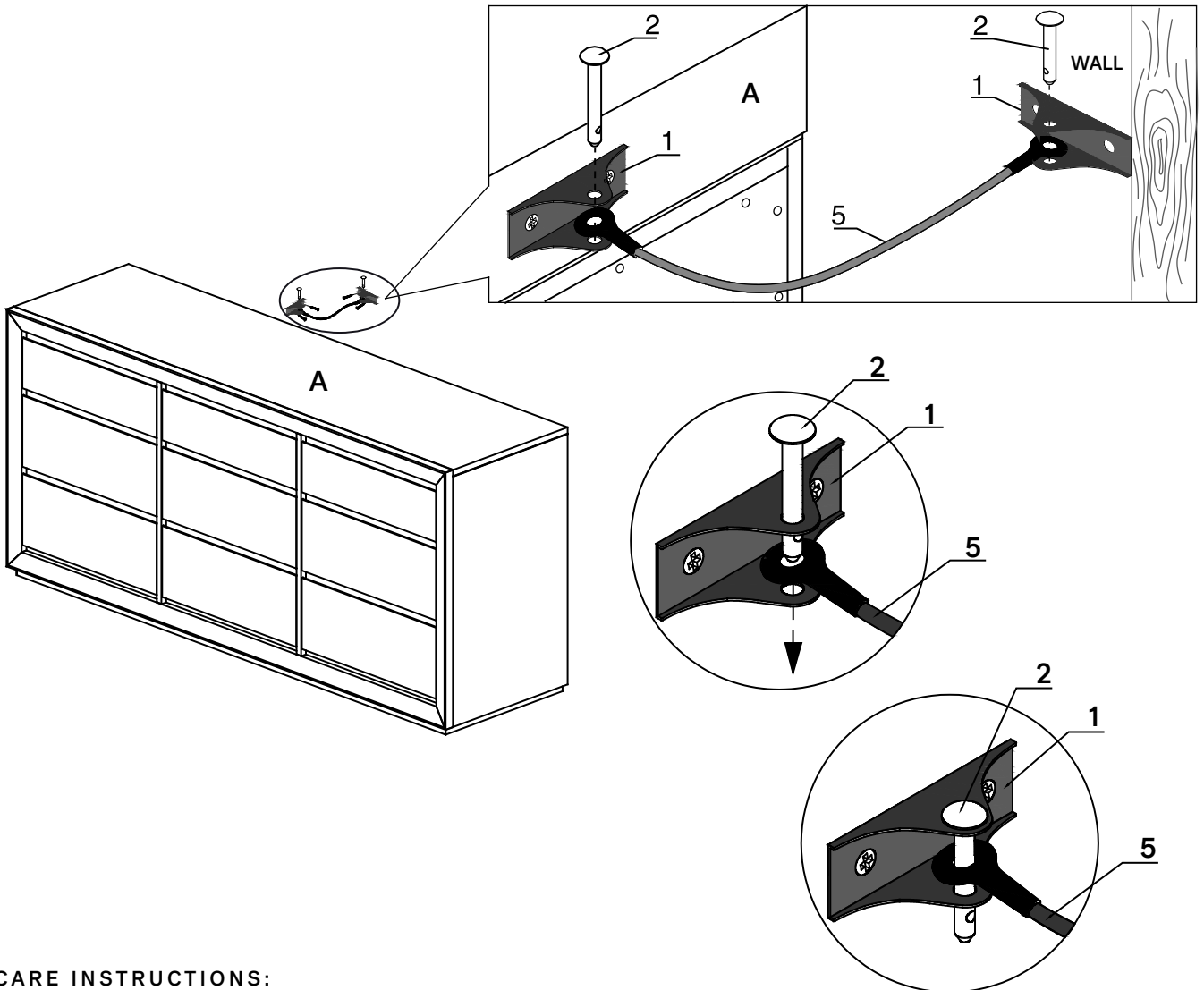
1. ATTACH THE METAL BASES TO THE EXTRA WIDE DRESSER (A) AND THE WALL USING THE SCREWS PROVIDED (3, 4).
2. PLACE THE TWO ENDS OF THE METAL CABLE (5) IN THE MIDDLE OF THE METAL BASE AND CONNECT THEM WITH METAL PLUGS (2) THROUGH THE HOLES IN THE METAL BASE AND WIRE HEAD.

NO.	ITEM	DESCRIPTION	QTY.
1		Metal Base	2 pcs.
2		Metal Plug	2 pcs.
3		Phillips Screws M4 x 37mm	2 pcs.
4		Phillips Screws M4 x 16mm	2 pcs.
5		Metal Cable	1 pc.



RH BABY & CHILD

CALLUM EXTRA-WIDE DRESSER - ASSEMBLY INSTRUCTIONS



CARE INSTRUCTIONS:

1. DUST OFTEN USING A CLEAN, SOFT, DRY LINT-FREE CLOTH.
2. BLOT SPILLS IMMEDIATELY AND WIPE WITH A CLEAN, DAMP CLOTH.
3. DO NOT USE CHEMICAL CLEANSERS, ABRASIVES OR FURNITURE POLISH ON THE LACQUERED FINISH.