

RH TEEN

All Restoration Hardware bunk beds are designed to meet the highest safety standards and comply with all U.S. and Canadian Bunk Bed regulations.

RH TEEN

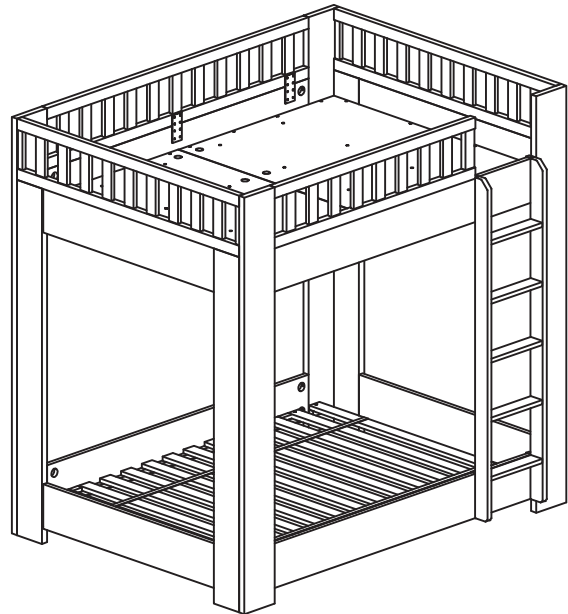
Restoration Hardware
11640 Harrel St, Suite B Mira Loma CA 91752
Made in Vietnam

Model No:

#355-13 Callum Full-Over-Full Bunk Bed

Distributed in the U.S.A by:
Restoration Hardware
11640 Harrel St, Suite B Mira
Loma CA 91752

Distributed in Canada by:
Restoration Hardware Canada
Inc. 1500-1055 West Georgia
Street, Vancouver, British
Columbia V6E 4N7



! **WARNING:** Read all
Instructions before assembling this
product **KEEP INSTRUCTIONS
FOR FUTURE USE.**

CUSTOMER SERVICE.

If you are missing parts or have any questions about this product, contact us first. You can also order parts by writing to the address above. Include the product model number, color, and a brief description of the part. Call 1-800-762-1751.

CARE AND CLEANING

DO NOT use abrasive chemicals for cleaning. Dust often using a clean, soft dry cloth. Rinse and dry thoroughly. If the Bunk bed is to be stored, store in a cool dry place and carefully package all original hardware to protect from loss.

IMPORTANT SAFETY INFORMATION FOR BUNK BED

1. Follow the information on the WARNINGS appearing on the upper bunk end structure and on the carton. DO NOT REMOVE WARNING LABEL FROM BED.
2. Always use the specified size mattress or mattress support, or both to help prevent the likelihood of entrapment or falls.
3. Surface of mattress must be at least 5 inches below the upper edge of guardrails on top bunk.
4. Do not allow children under 6 years of age to use the upper bunk.
5. Prohibit more than one person on upper bunk.
6. Periodically check and ensure that the guardrails, ladder, and other components are in their proper position, free from damage, and that all connectors are tight.
7. Do not allow horseplay on or under the bed and prohibit jumping on the bed.
8. Always use the ladder for entering and leaving the upper bunk.
9. Do not use substitute parts. Contact Restoration Hardware for replacement parts
10. Use of a night light may provide added safety precaution for a child using the upper bunk.
11. Use guardrails on both sides of the upper bunk.
12. If the bunk bed will be placed next to a wall, the guardrail that runs the full length of the bed should be placed against the wall to prevent entrapment between the bed and the wall.
13. The use of water flotation mattresses is prohibited.
14. STRANGULATION HAZARD - Never attach or hang items to any part of the bunk bed that are not designed for use with the bed: for example, but not limited to, hooks, belts, and jump ropes.
15. Keep these instructions for future reference.

 **WARNING**

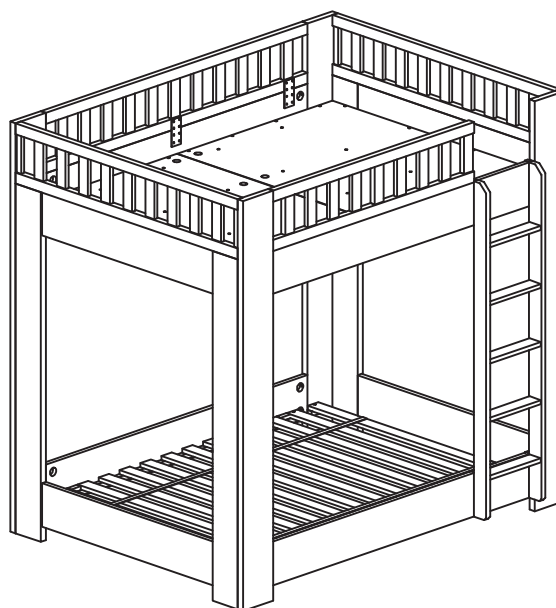
TO HELP PREVENT SERIOUS OR FATAL INJURIES FROM ENTRAPMENT OR FALLS

1. Never allow a child under 6 years on upper bunk.
2. Use only mattress, which is 74"-75" long and 53 1/2"-54 1/2" wide on upper bunk.
3. Ensure thickness of mattress does not exceed 9" and mattress surface is at least 5 inches below upper edge of guardrails.
4. Use guardrails on both sides of upper bunk.
5. Prohibit horseplay on or under bed(s).
6. Prohibit more than one person on upper bunk.
7. Use ladder for entering and leaving upper bunk.
8. If the bunk bed will be placed next to a wall the guardrails that run the full length of the bed should be placed against the wall to prevent entrapment between the bed and the wall.

STRANGULATION HAZARD

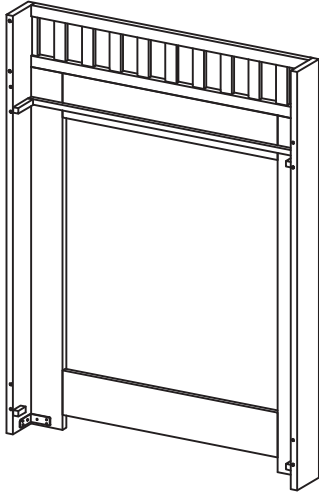
9. Never attach or hang items to any part of the bunk bed that are not designed for use with the bed, for example, but not limited to hooks, belts, and jump ropes.

DO NOT REMOVE THIS LABEL

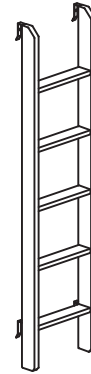


Parts Identification

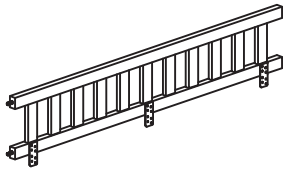
(A) Bunk Bed End (x2 pieces)



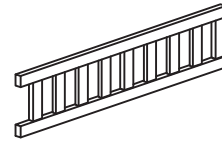
(B) Ladder (x1 piece)



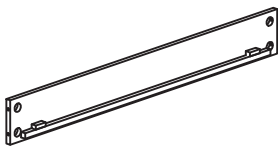
(C) Back Guard Rail (x1 piece)



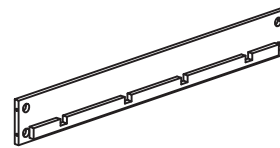
(D) Front Guard Rail (x1 piece)



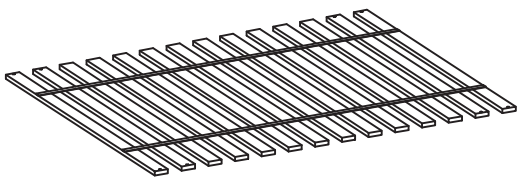
(E) Bottom Side Rails (x2 pieces)



(F) Top Side Rails (x2 pieces)



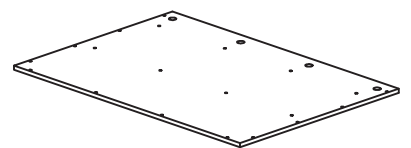
(G) Slat Roll (x1 set)









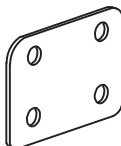
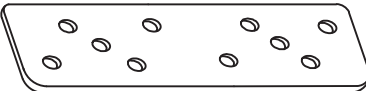
(H) Stretcher Bars (x4 pieces)



(I) Top Platform Panels (x2 pieces)

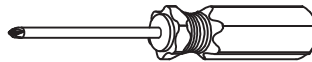


HARDWARE INCLUDED

<p>1- Threaded Rod 5/16" x 2-1/2" (16 pieces)</p> 	<p>2- Curved Slotted Washer 5/16" (16 pieces)</p> 	<p>3- Hex Nut 5/16" x 12mm (16pieces)</p> 
<p>4- Medium Screw 8x30mm (56 pieces)</p> 	<p>5- Wrench 12mm (1 piece)</p> 	<p>6- Small Screw 8x19mm (54 pieces)</p> 
<p>7- Small Metal Bracket 51x38x1.5mm (2 pieces)</p> 		<p>8- Long Metal Bracket 200x52x4mm (3 pieces)</p> 

TOOLS NEEDED

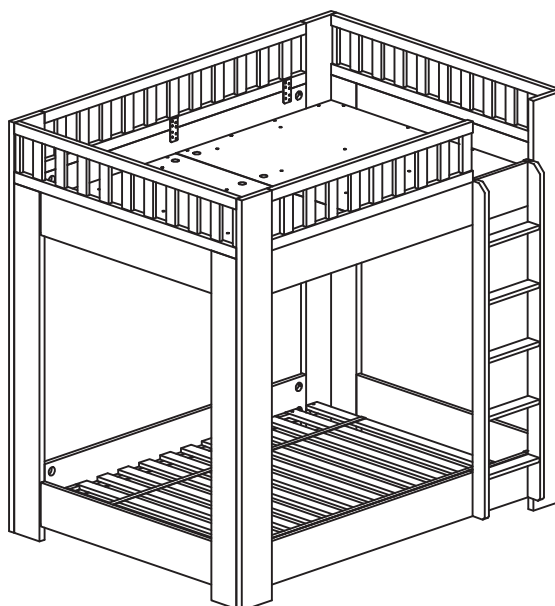
Philips Head Screwdriver (Not included)



ASSEMBLY INSTRUCTIONS

Note:

- Bed must be assembled by at least two people.
- Please read instructions carefully before assembling bed.
- Use the above parts and fittings list to identify each component.
- Keep all packing materials until assembly is complete to avoid loss of smaller parts.
- Do not completely tighten all bolts until all steps are finished.

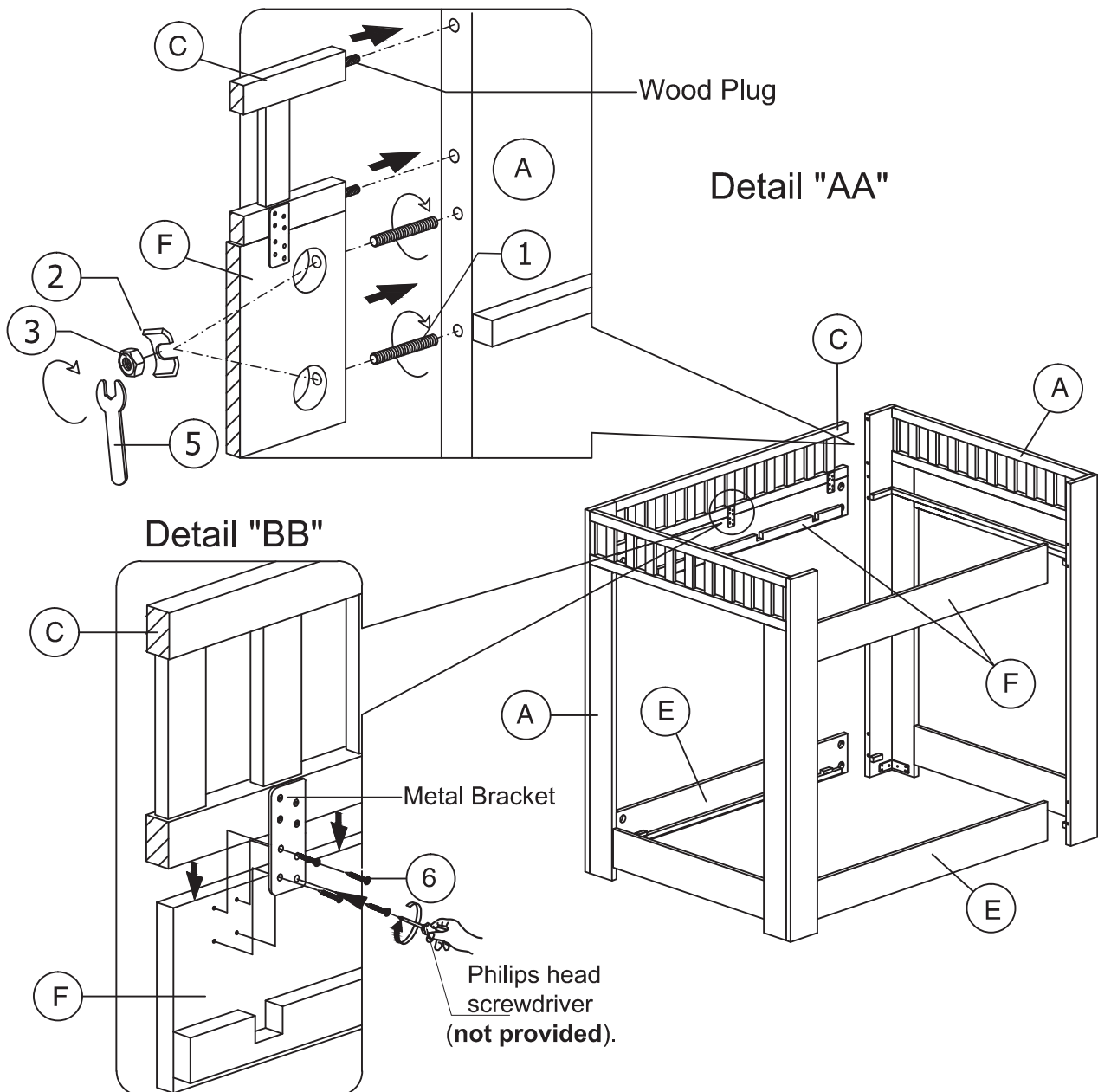


ASSEMBLY INSTRUCTIONS:

STEP 1: BUNK BED END ASSEMBLY INSTRUCTIONS

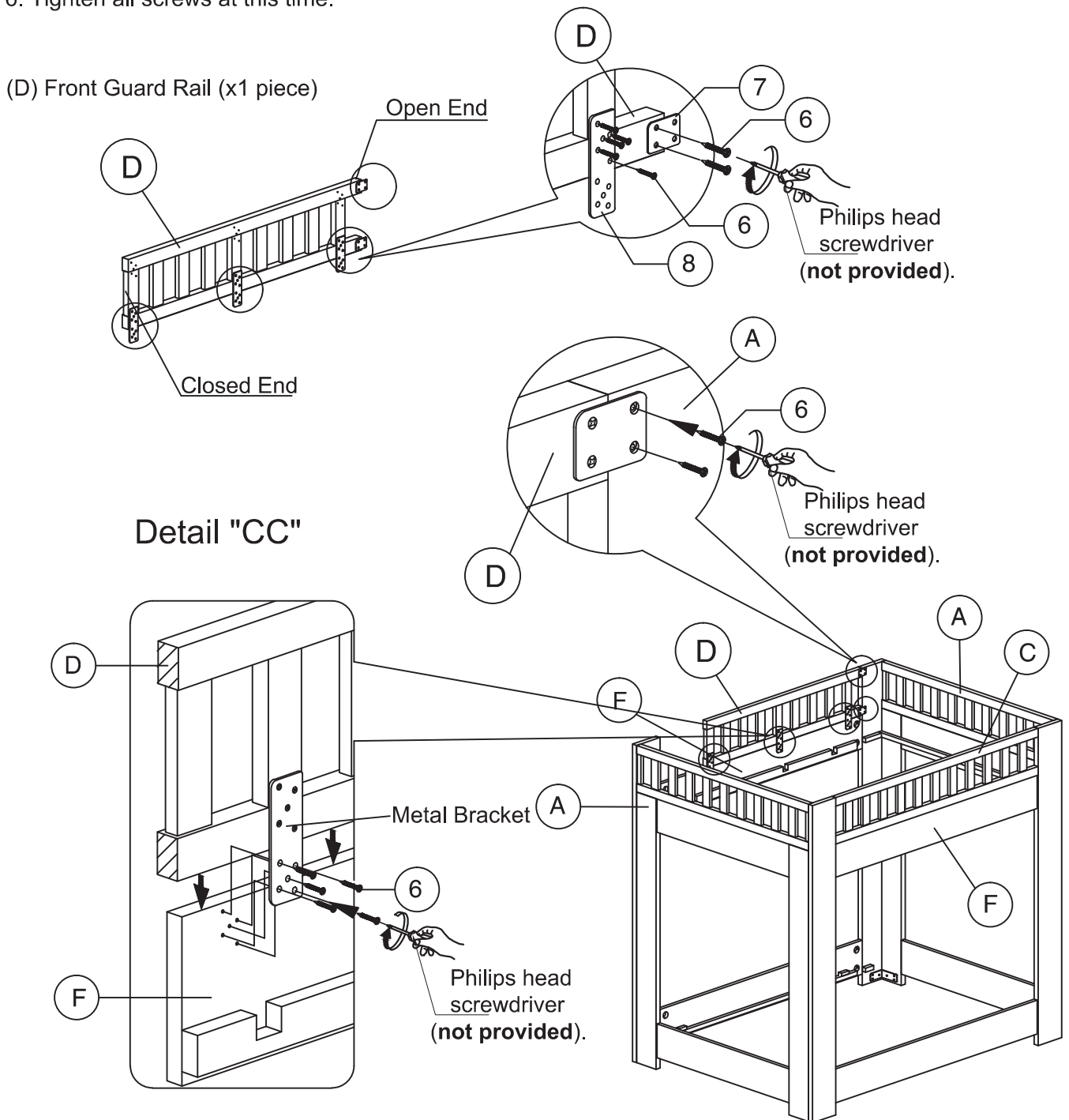
NOTE: Bunk must be assembled by at least 2 people. Set all parts in final position for assembly, in a straight line.

1. Attach the Top Side Rails (F) to the Bunk Bed Ends (A) using Threaded Rods (1), Curved Slotted Washers (2), Hex Nuts (3) and Wrench (5) provided. Place threaded rods in the holes at top of Bunk Bed Ends (A). Align the top Side Rails (F) with the holes and fasten tightly with curved slotted washers and hex nuts using the wrench provided (Refer to Detail "AA"). Do not fully tighten!
2. Repeat the procedure with Bottom Side Rails (E).
3. Install Back Guard Rails (C) as indicated below and in Detail "BB".
4. Secure all metal brackets to the Back Guard Rails (C) using 8x19mm Small Screws (6) that are provided.
5. Tighten all bolts at this time.



STEP 2: FRONT GUARD RAIL ASSEMBLY INSTRUCTIONS

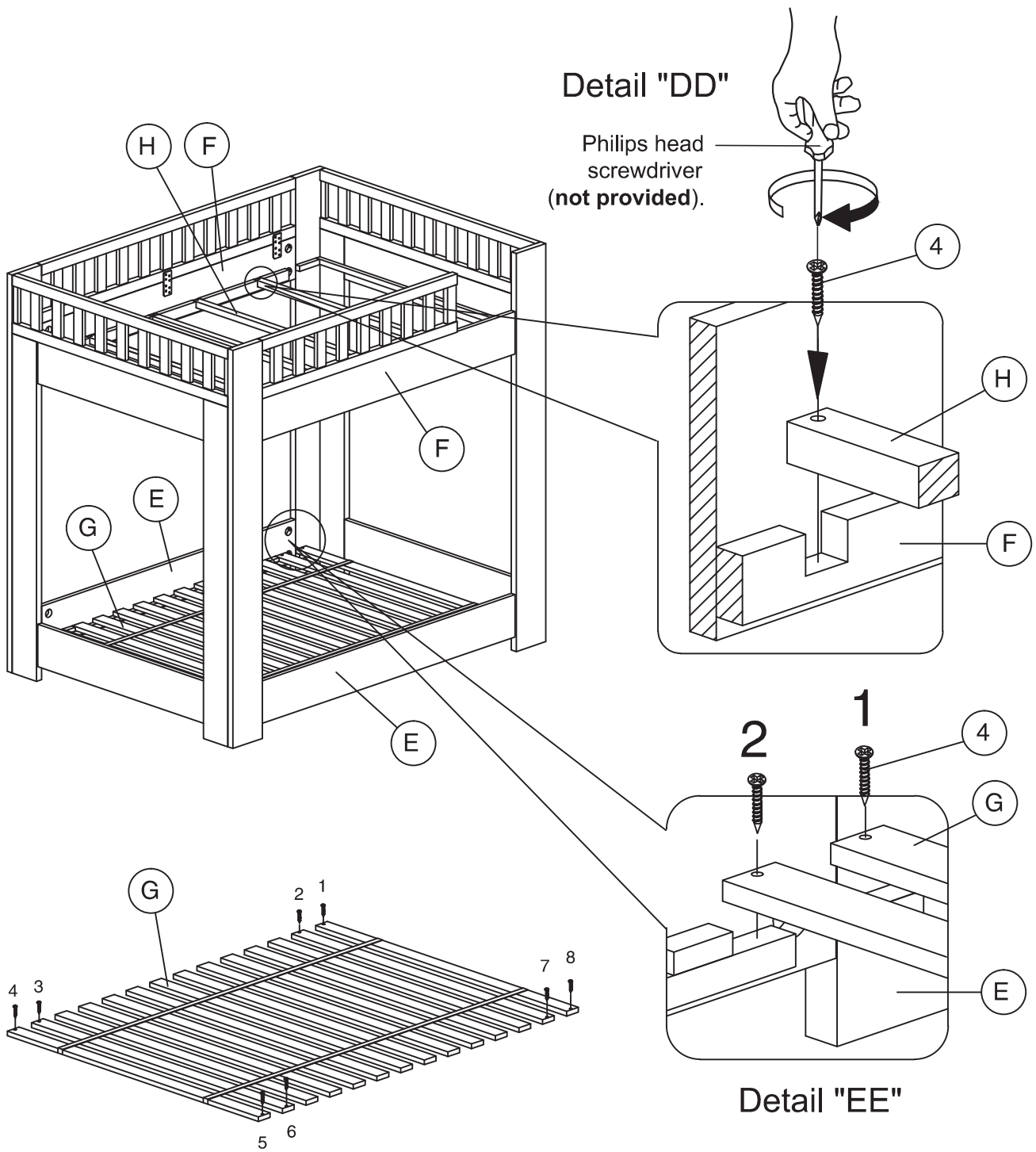
1. Determine which side you wish to position the ladder.
2. Guard Rail (D) can be attached at either side, depending on where you would like the Ladder (B) to be positioned. Open end of Guard Rail (D) must be positioned against Bunk Bed End (A), and closed end of Guard Rail (D) must be positioned against Ladder (B).
3. Attach Small Metal Brackets (7) & Long Metal Brackets (8) to the Front Guard Rail (D) using 8x19mm Small Screws (6) that are provided.
4. Install Front Guard Rail (D) as indicated below and in Detail "CC".
5. Secure all metal brackets to the Top Side Rail (F) using 8x19mm Small Screws (6) that are provided.
6. Tighten all screws at this time.



STEP 3: SLAT ROLL ATTACHMENT INSTRUCTIONS

NOTE: If you need to move the unit, do not drag it. 2 or more people are needed to safely move the unit.

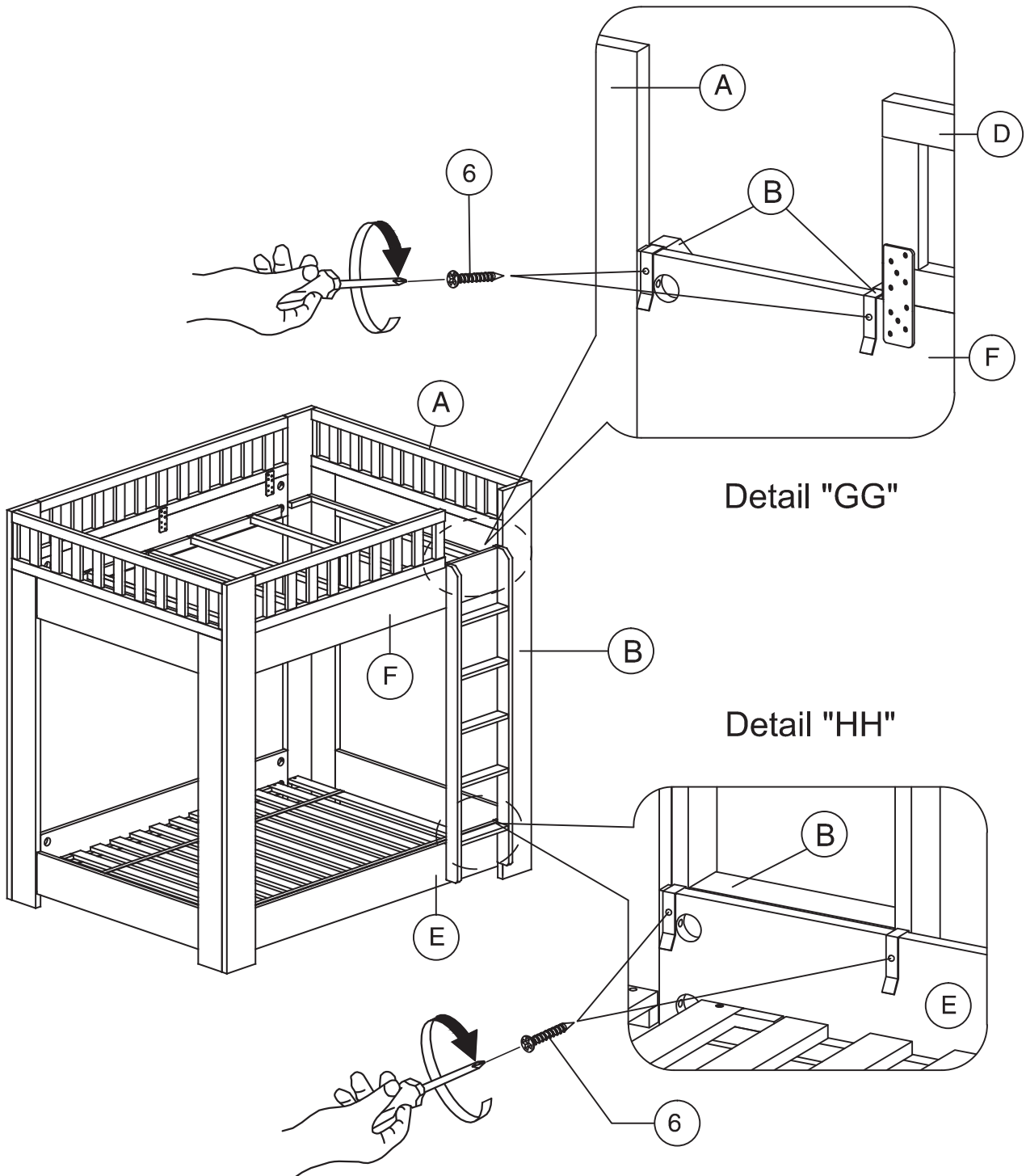
- Lay the Stretcher Bars (H) in between the Top Side Rails (F), then tighten using Medium Screws (4) and Philips head screwdriver (Refer to Detail "DD").
- Lay the Slat Roll (G) in between the Bottom Side Rails (E) and use Medium Screws (4) to fasten four end slats (two on each end) to side rails with a screwdriver (Refer to Detail "EE")



- The webbing on the slats should be on the top side.

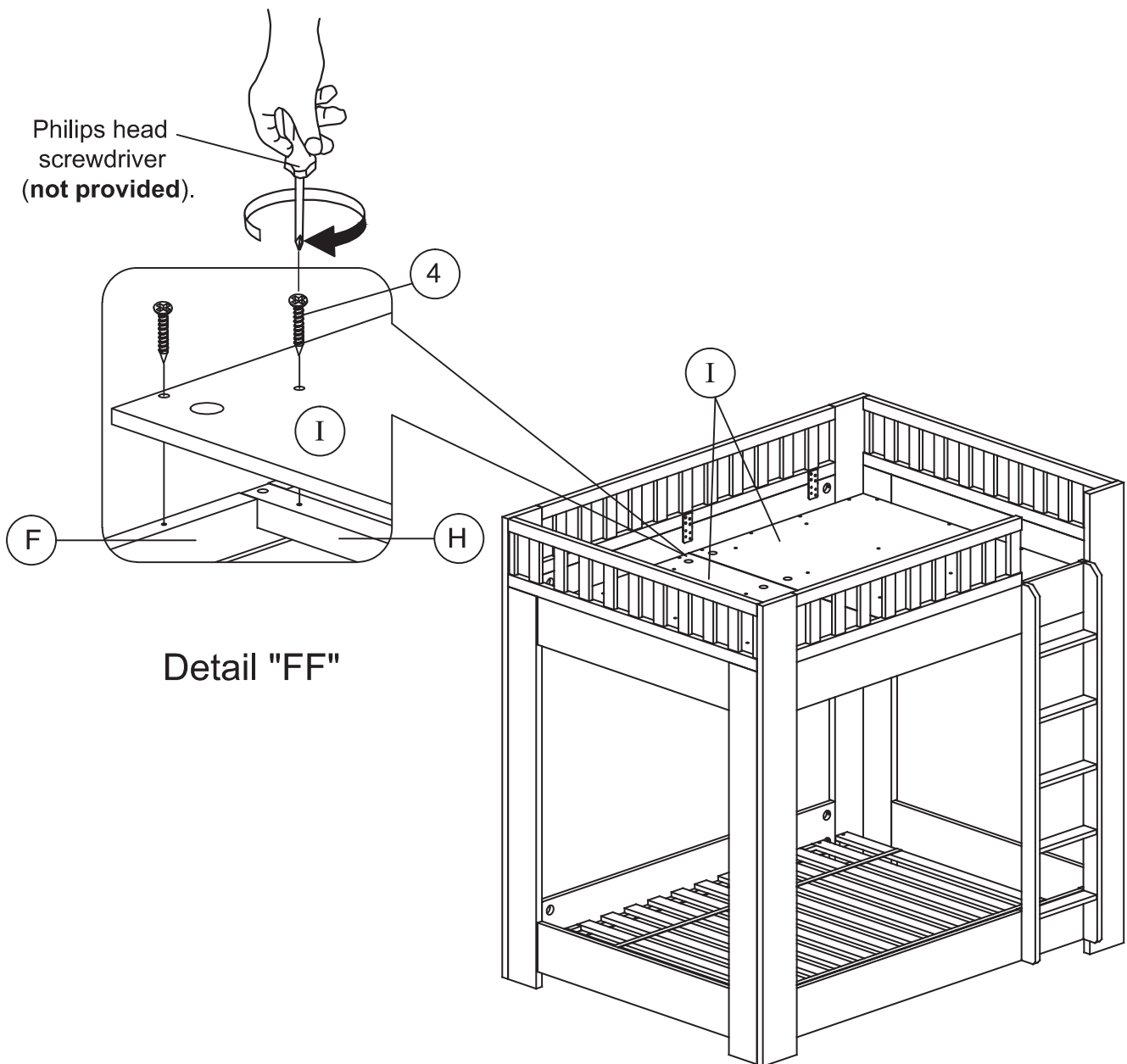
STEP 4: LADDER ATTACHMENT INSTRUCTIONS

Position the Ladder (B) in the opening between the Front Guard Rail (D) and the post of the Bunk Bed End (A). Hook the Ladder (B) over the top and bottom side rails. Then tighten using Medium Screws (6) and Philips head screwdriver (Refer to Detail "GG", "HH").



STEP 5: TOP PLATFORM PANEL ATTACHMENT INSTRUCTIONS

-Lay the Top Platform Panels (I) on top of the Stretcher Bars (H) and attach using Qty.40 Medium Screws (4) with Philips head screwdriver (Refer to Detail "FF").



STEP 6: INSTALL BEDDING

BEDDING SPECIFICATIONS FOR TOP BUNK:

The following size mattress and Foundation are specified for use with this Bunk bed:

MATTRESS DIMENSION SPECIFICATIONS FOR TOP BUNK

Twin - over - twin Bunk: (74" - 75") long x (37 1/2" - 38 1/2") wide x 9" thick

Full - over - full bunk: (74" - 75") long x (53 1/2" - 54 1/2") wide x 9" thick

PLATFORM :

-Twin - over - twin bunk: Upper bed consists of 2 pcs platform 37 3/4" long x 38 3/4" wide x 3/4" thick & bottom bed consists of 14 pcs slats 38 3/4" long x 2 1/2" wide x 3/4" thick.

-Full - over - full Bunk: Upper bed consists of 2 pcs platform 37 3/4" long x 53 7/8" wide x 3/4" thick & bottom bed consists of 14 pcs slats 53 7/8" long x 2 1/2" wide x 3/4" thick.

****Note: MATTRESS THICKNESS MUST NOT EXCEED MAX 9" FOR TOP BUNK.**

Be sure to adhere to these BEDDING SPECIFICATIONS in order to avoid the possibility of falling or entrapment. THESE SPECIFICATIONS MUST BE STRICTLY ADHERED TO !

UPPER BUNK MATTRESS DIAGRAM

