

RHBABY&CHILD


CALLUM TWIN LOFT BED – ASSEMBLY INSTRUCTIONS

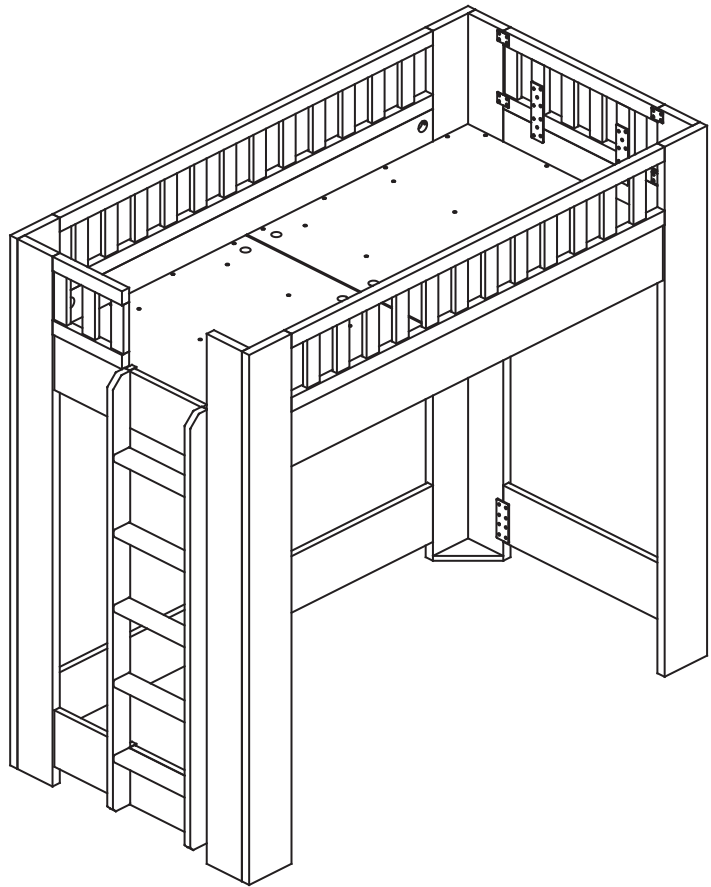
Made in Vietnam

Model No: 355 - 122

Distributed in the U.S.A by:
RH Baby&Child
2900 N MACARTHUR DRIVE
TRACY, CA 95376
www.rhbabyandchild.com

Distributed in Canada by:
RH Canada, Inc.
1500-1055 West Georgia Street
Vancouver, British Columbia
V6E4N7

 **WARNING:** Read all
Instructions before assembling
this product.
KEEP INSTRUCTIONS FOR
FUTURE USE.



CUSTOMER SERVICE

If you are missing parts or have any questions about this product, contact us first. You can also order parts by writing to the address above. Include the product model number, color, and a brief description of the part. Or call 1-800-762-1751.

CARE AND CLEANING

DO NOT scratch or chip the finish. DO NOT use abrasive chemicals for cleaning. If the crib is to be stored, store in a cool, dry place and carefully package all original hardware to protect from loss.

TOOLS AND INSTALLATION

Tools needed: Key Wrench (included).

Two people are recommended for assembly.

When inserting bolts, turn clockwise until tight. Then loosen 1/2-3/4 of a turn. After bed is completely assembled, return to each bolt and tighten.

RH BABY & CHILD

CALLUM TWIN LOFT BED – ASSEMBLY INSTRUCTIONS

IMPORTANT SAFETY INFORMATION FOR BUNK BED

1. Follow the information on the WARNINGS appearing on the upper bunk end structure and on the carton. **DO NOT REMOVE WARNING LABEL FROM BED.**
2. Always use the specified size mattress or mattress support, or both to help prevent the likelihood of entrapment or falls.
3. Surface of mattress must be at least 5 inches below the upper edge of guardrails on top bunk.
4. Do not allow children under 6 years of age to use the upper bunk. Maximum load rating 400lbs.
5. Prohibit more than one person on upper bunk.
6. Periodically check and ensure that the guardrails, ladder, and other components are in their proper position, free from damage, and that all connectors are tight.
7. Do not allow horseplay on or under the bed and prohibit jumping on the bed.
8. Always use the ladder for entering and leaving the upper bunk.
9. Do not use substitute parts. Contact Restoration Hardware for replacement parts
10. Use of a night light may provide added safety precaution for a child using the upper bunk.
11. Use guardrails on both sides of the upper bunk.
12. If the bunk bed will be placed next to a wall, the guardrail that runs the full length of the bed should be placed against the wall to prevent entrapment between the bed and the wall.
13. The use of water flotation mattresses is prohibited.
14. **STRANGULATION HAZARD** - Never attach or hang items to any part of the bunk bed that are not designed for use with the bed: for example, but not limited to, hooks, belts, and jump ropes.
15. Keep these instructions for future reference.



WARNING

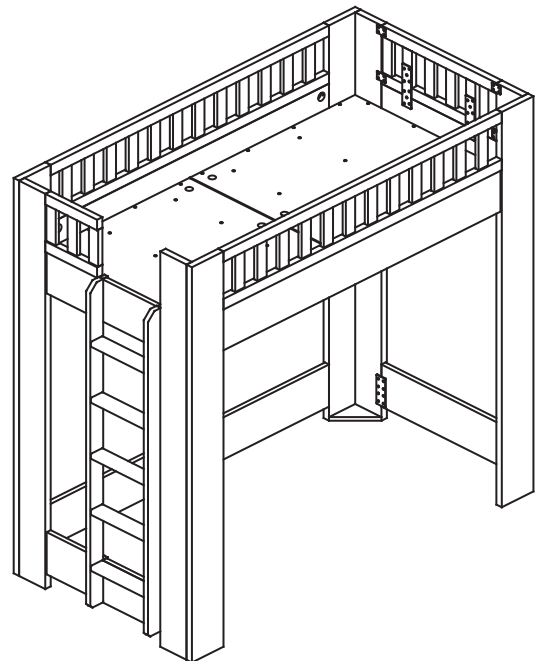
TO HELP PREVENT SERIOUS OR FATAL INJURIES FROM ENTRAPMENT OR FALLS

1. Never allow a child under 6 years on upper bunk.
2. - If bunk is Twin/Twin:
Use only mattress which is 75" long and 38" wide and 7" height on upper bunk, and mattress which is 75" long and 38" wide and 10" height on lower bunk.
- If bunk is Full/Full:
Use only mattress which is 75" long and 53" wide and 7" height on upper bunk, and mattress which is 75" long and 53" wide and 10" height on lower bunk.
3. Ensure thickness of mattress does not exceed 7" and mattress surface is at least 5 inches below upper edge of guardrails. Thickness for lower bunk is 10" high.
4. Use guardrails on both sides of upper bunk.
5. Prohibit horseplay on or under bed(s).
6. Prohibit more than one person on upper bunk.
7. Use ladder for entering and leaving upper bunk.
8. If the bunk bed will be placed next to a wall the guardrails that run the full length of the bed should be placed against the wall to prevent entrapment between the bed and the wall.

STRANGULATION HAZARD

9. Never attach or hang items to any part of the bunk bed that are not designed for use with the bed, for example, but not limited to hooks, belts, and jump ropes.

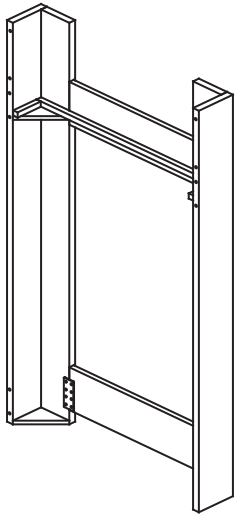
DO NOT REMOVE THIS LABEL



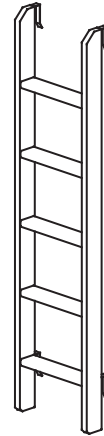
RHBABY&CHILD

CALLUM TWIN LOFT BED – ASSEMBLY INSTRUCTIONS

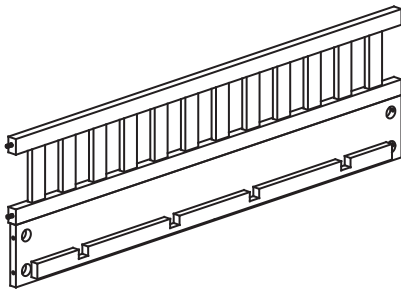
PARTS IDENTIFICATION



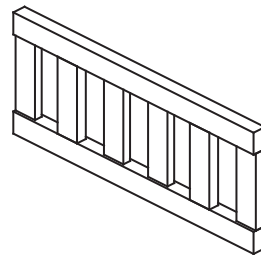
(A) Bunk Bed End (x2 pieces)



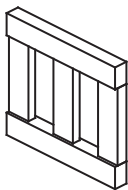
(B) Ladder (x1 piece)



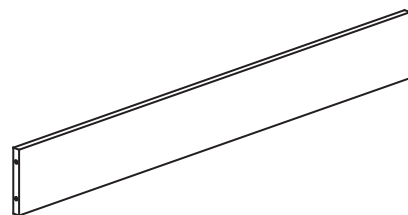
(C) Front/Back Guard Rails (x2 pieces)



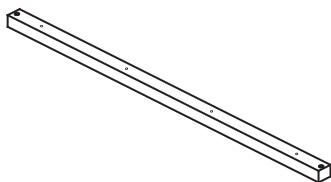
(D) Long Side Guard Rail (x1 piece)



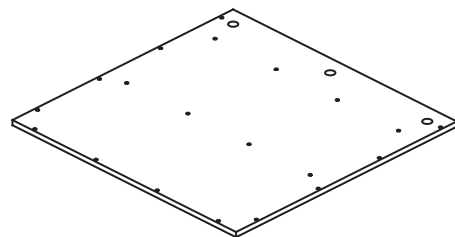
(E) Short Side Guard Rail (x1 piece)



(F) Bottom Side Rail (x1 piece)



(G) Stretcher Bars (x4 pieces)





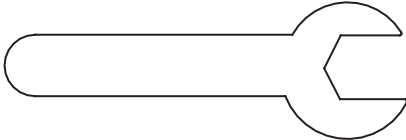

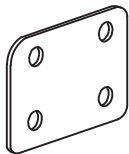
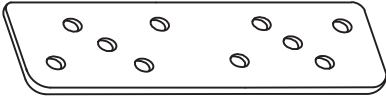


(H) Platform Panels (x2 pieces)

RHBABY&CHILD

CALLUM TWIN LOFT BED – ASSEMBLY INSTRUCTIONS

HARDWARE INCLUDED

NO.	ITEM	DESCRIPTION	QTY.
1		Threaded Rod 5/16" x 2-1/2"	12 pieces
2		Curved Slotted Washer 5/16"	12 pieces
3		Hex Nut 5/16" x 12mm	12 pieces
4		Long Screw 8 x 30mm	48 pieces
5		Hex Wrench 12mm	1 piece
6		Short Screw 8 x 19mm	58 pieces
7		Small Metal Bracket 51 x 38 x 1.5mm	6 pieces
8		Long Metal Bracket 200 x 52 x 4mm	3 pieces

TOOLS NEEDED

Phillips-head screwdriver (not included)



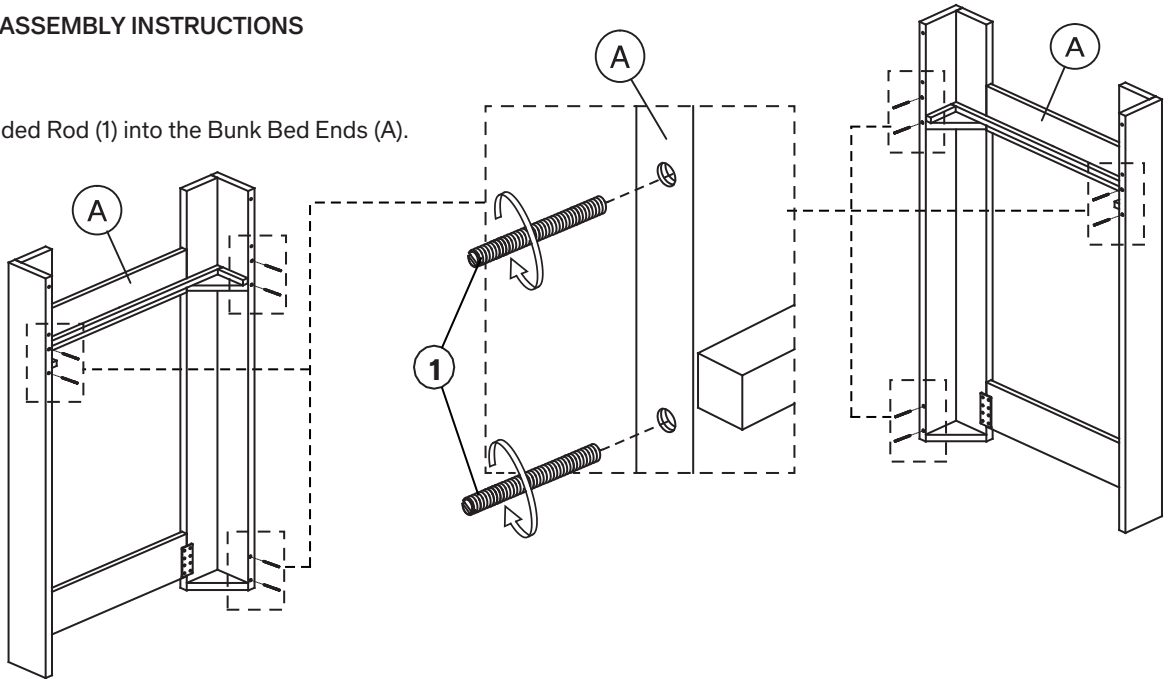
ASSEMBLY INSTRUCTIONS

- Note:**
- Bed must be assembled by at least two people.
 - Please read instructions carefully before assembling bed.
 - Use the parts and fittings list to identify each component.
 - Keep all packing materials until assembly is complete to avoid loss of smaller parts.
 - Do not completely tighten all bolts until all steps are finished.

BUNK BED END ASSEMBLY INSTRUCTIONS

STEP 1:

Secure the Threaded Rod (1) into the Bunk Bed Ends (A).

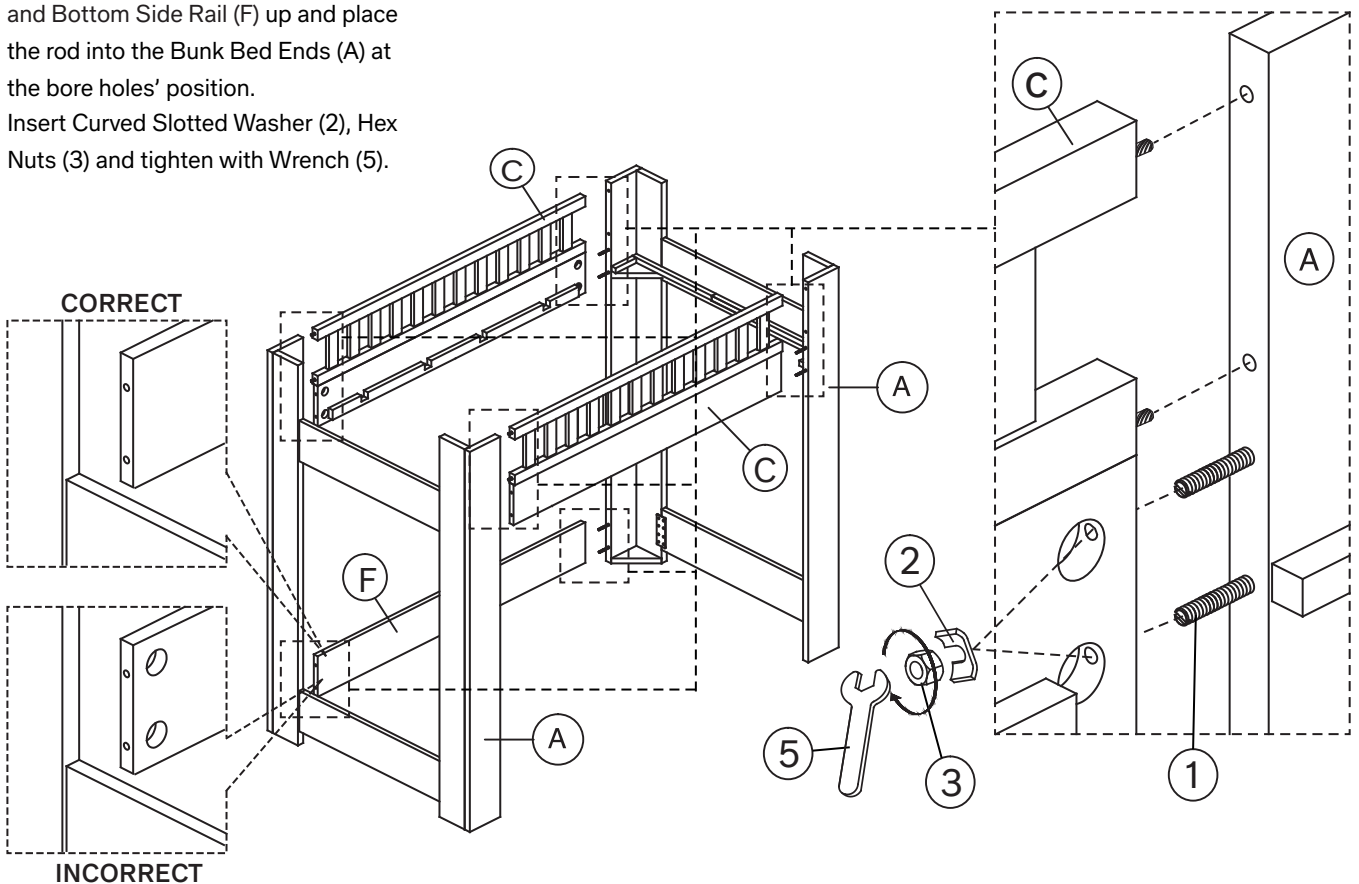


STEP 2:

NOTE: Each side rail needs 2 people to assembly, put the bunk bed end panel on a straight line, insert the side rail on end panel at the same time and set up hardware to assembly but not fully tighten, set up another side rail & hardware, then tighten them.

Raise the Front/Back Guard Rails (C) and Bottom Side Rail (F) up and place the rod into the Bunk Bed Ends (A) at the bore holes' position.

Insert Curved Slotted Washer (2), Hex Nuts (3) and tighten with Wrench (5).

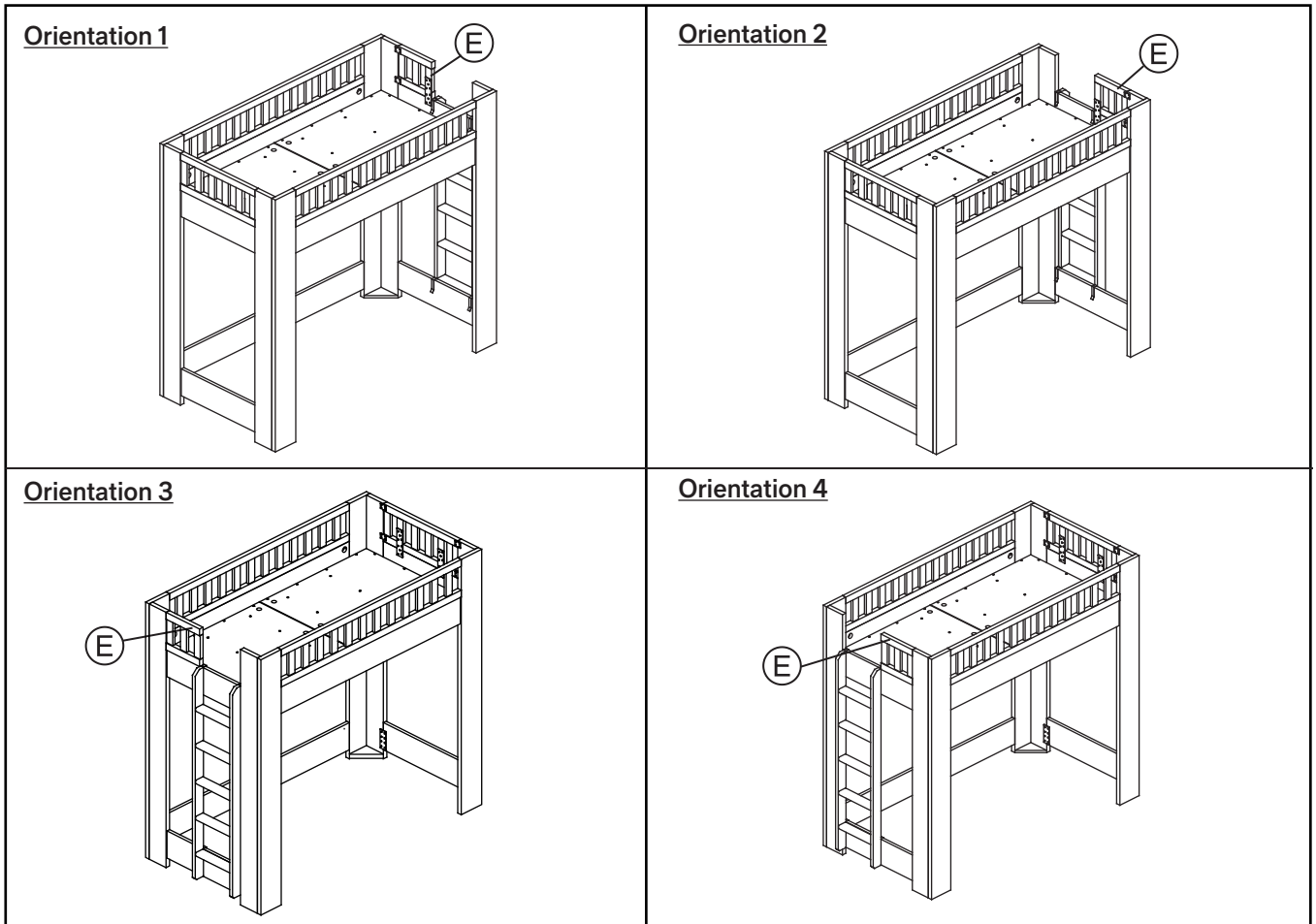


RHBABY&CHILD

CALLUM TWIN LOFT BED – ASSEMBLY INSTRUCTIONS

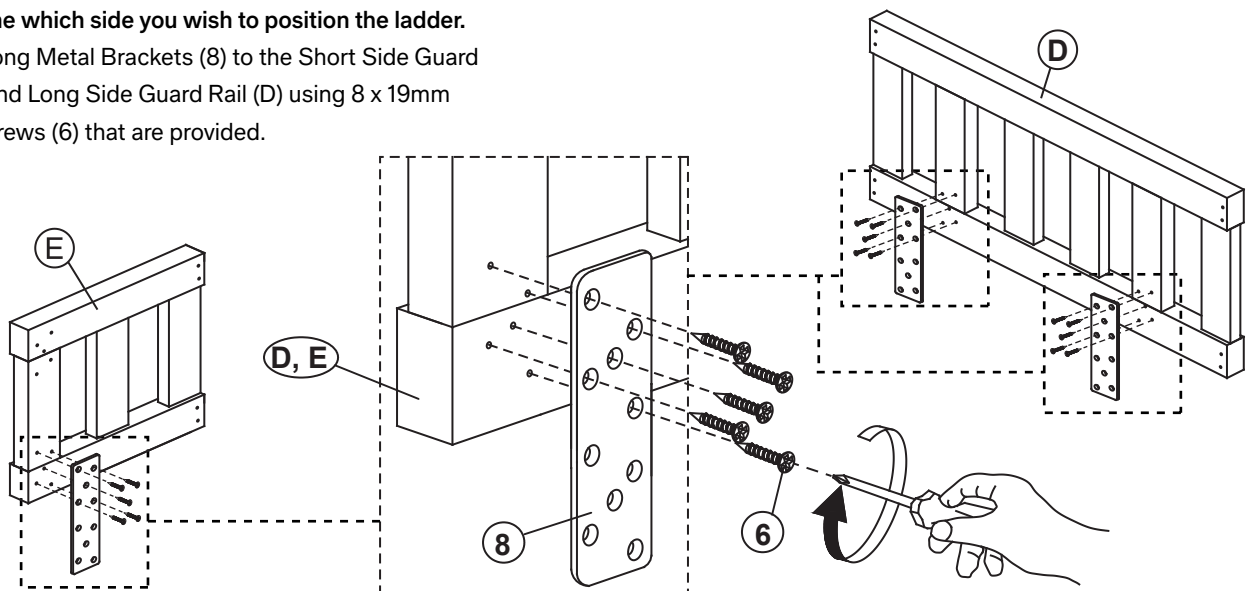
NOTE:

The bunk has total of 4 orientations. Short Side Guard Rail (E) can be attached to headboard or footboard, depending on where you would like the Ladder (B) to be positioned. Open end of Short Side Guard Rail (E) must be positioned against Bunk Bed End (A), and closed end of Short Side Guard Rail (E) must be positioned against Ladder (B).



STEP 3:

Determine which side you wish to position the ladder.
Attach Long Metal Brackets (8) to the Short Side Guard Rail (E) and Long Side Guard Rail (D) using 8 x 19mm Short Screws (6) that are provided.

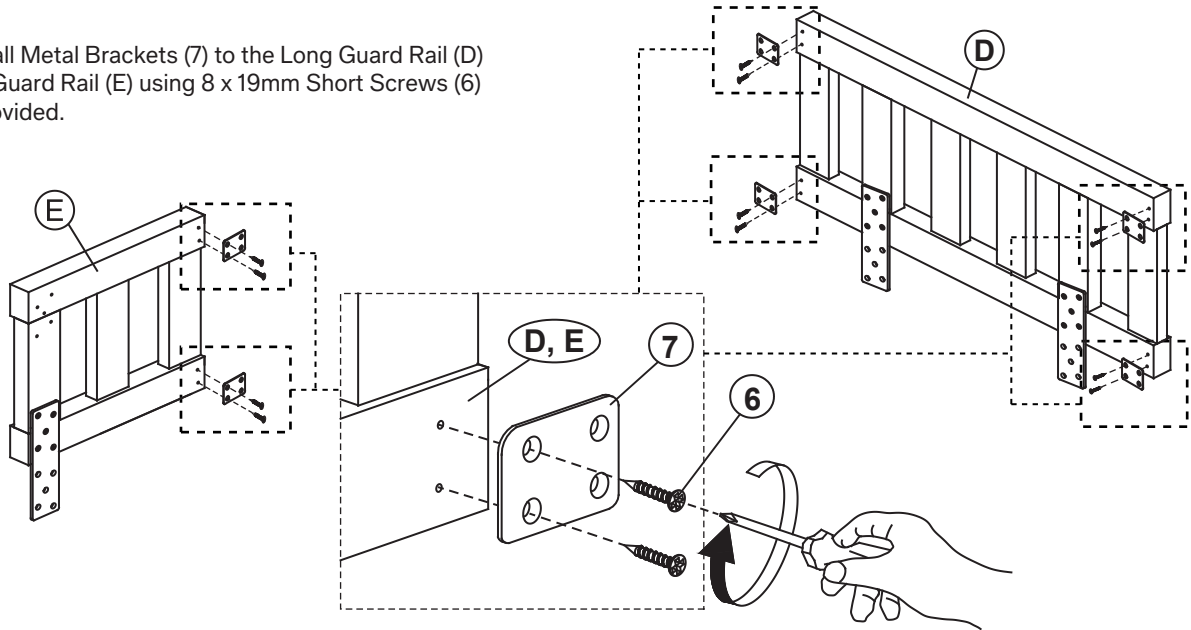


RH BABY & CHILD

CALLUM TWIN LOFT BED - ASSEMBLY INSTRUCTIONS

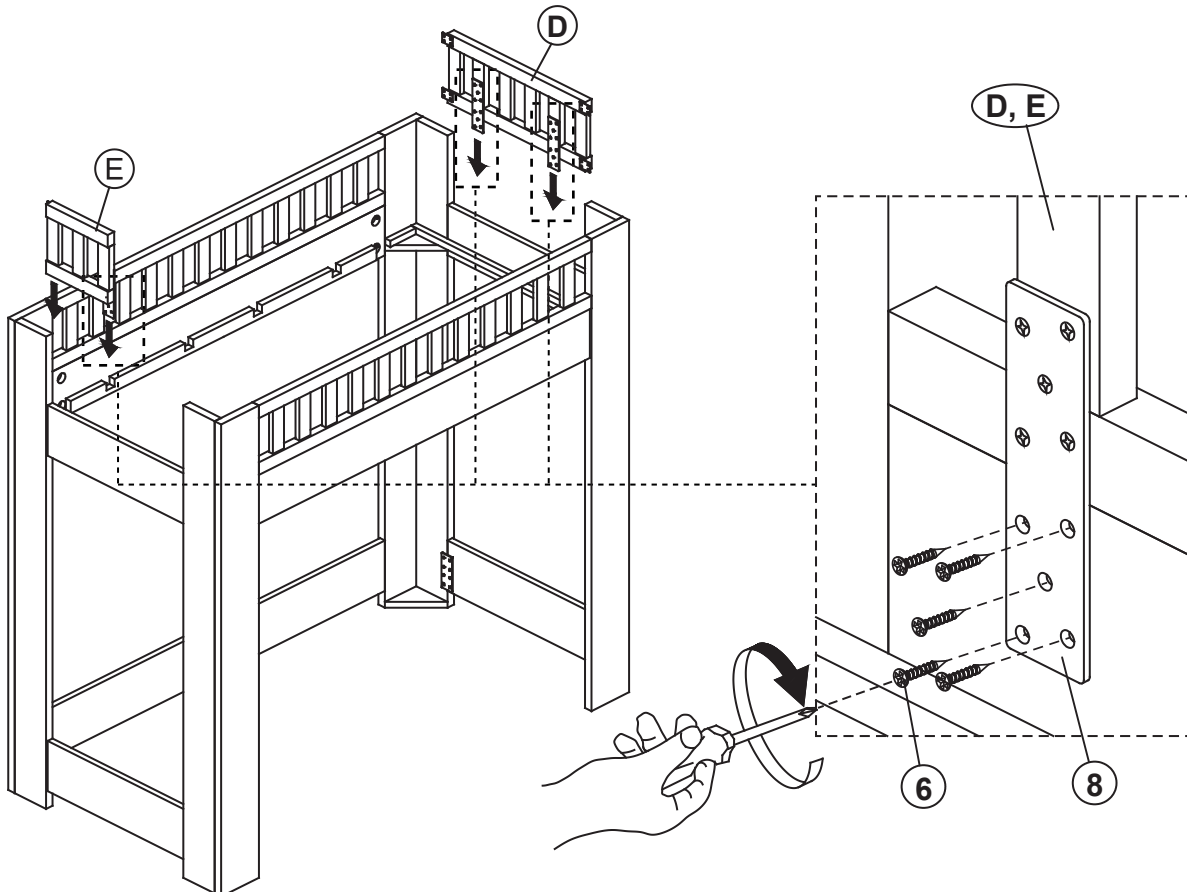
STEP 4:

Attach Small Metal Brackets (7) to the Long Guard Rail (D) and Short Guard Rail (E) using 8 x 19mm Short Screws (6) that are provided.



STEP 5:

Attach Long Metal Brackets (8) to the Bunk Bed Ends (A) using 8x19mm Short Screws (6) that are provided.

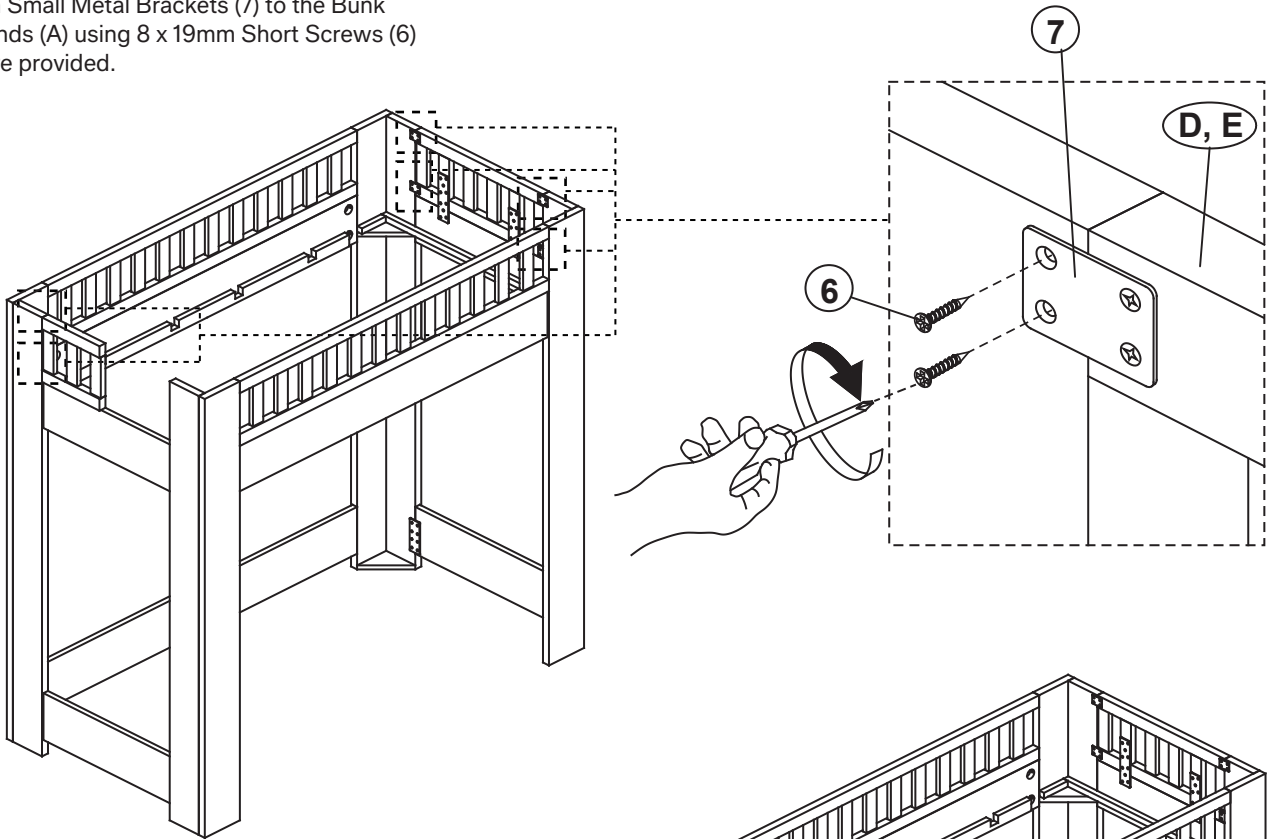


RHBABY&CHILD

CALLUM TWIN LOFT BED – ASSEMBLY INSTRUCTIONS

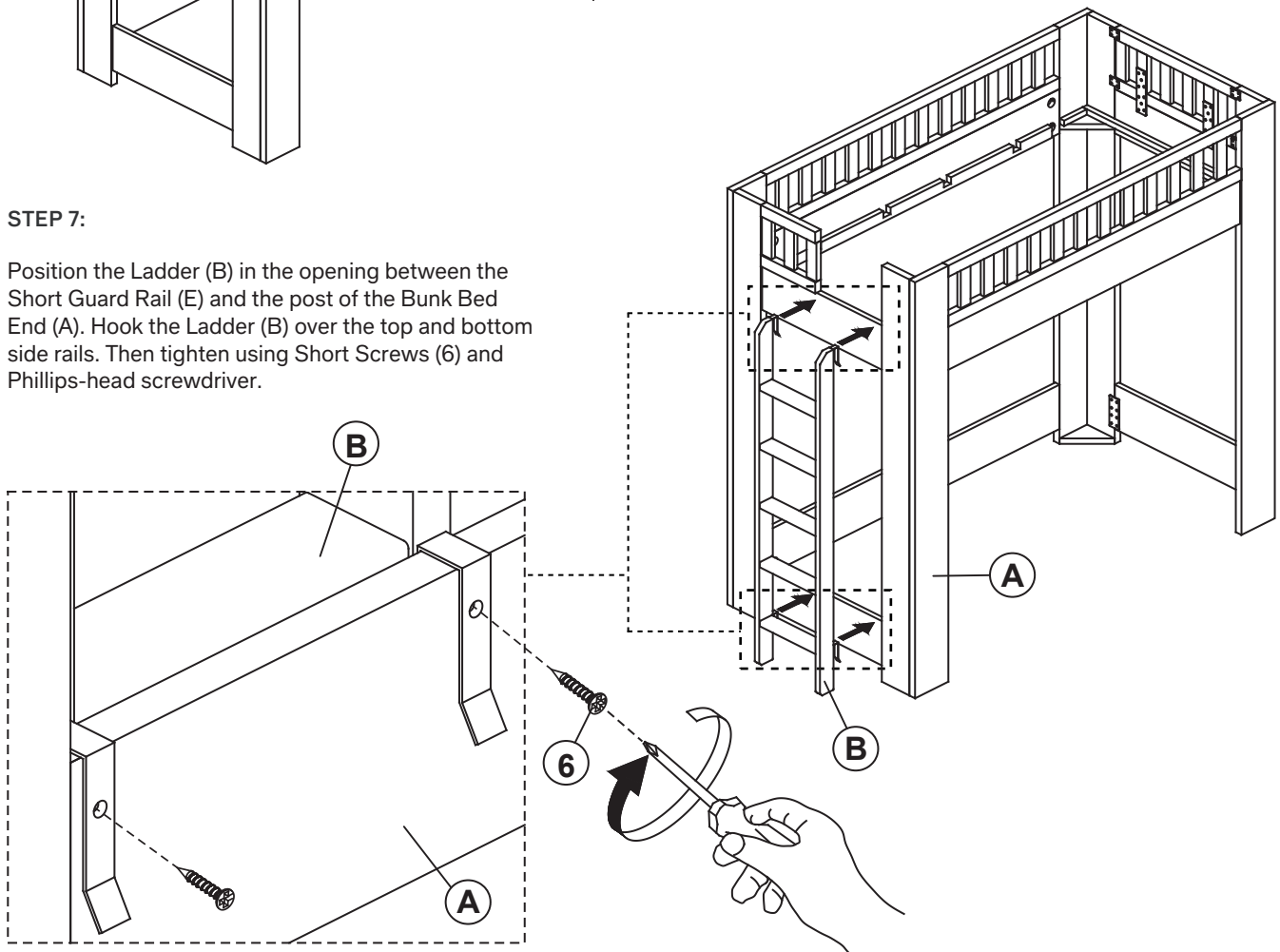
STEP 6:

Attach Small Metal Brackets (7) to the Bunk Bed Ends (A) using 8 x 19mm Short Screws (6) that are provided.



STEP 7:

Position the Ladder (B) in the opening between the Short Guard Rail (E) and the post of the Bunk Bed End (A). Hook the Ladder (B) over the top and bottom side rails. Then tighten using Short Screws (6) and Phillips-head screwdriver.



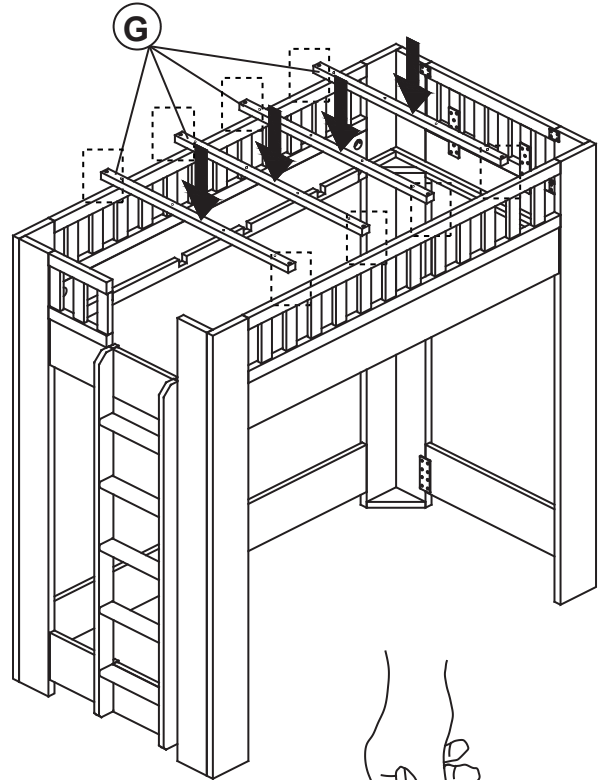
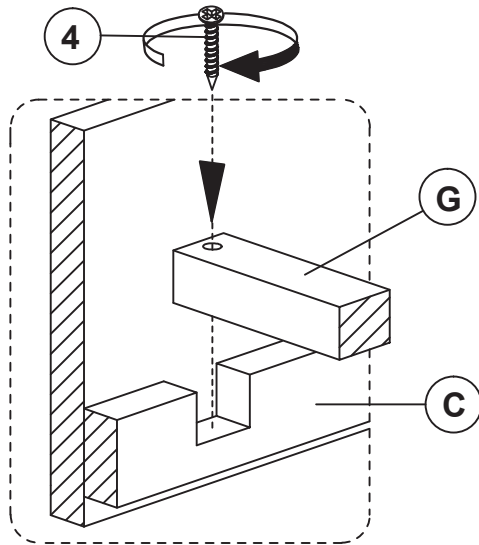
RH BABY & CHILD

CALLUM TWIN LOFT BED - ASSEMBLY INSTRUCTIONS

NOTE: If you need to move the unit, do not drag it. 2 or more people are needed to safely move the unit.

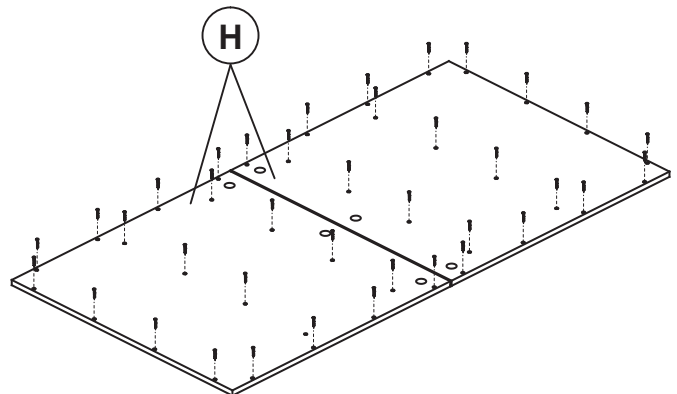
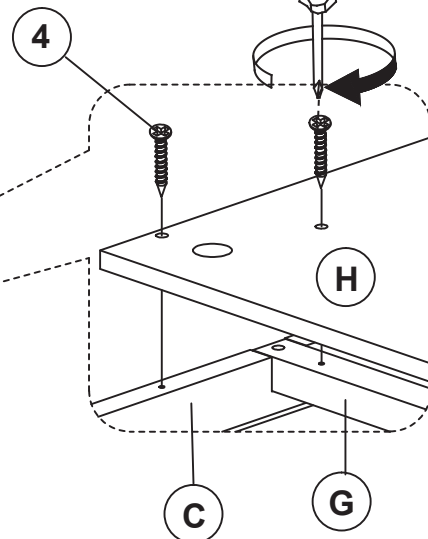
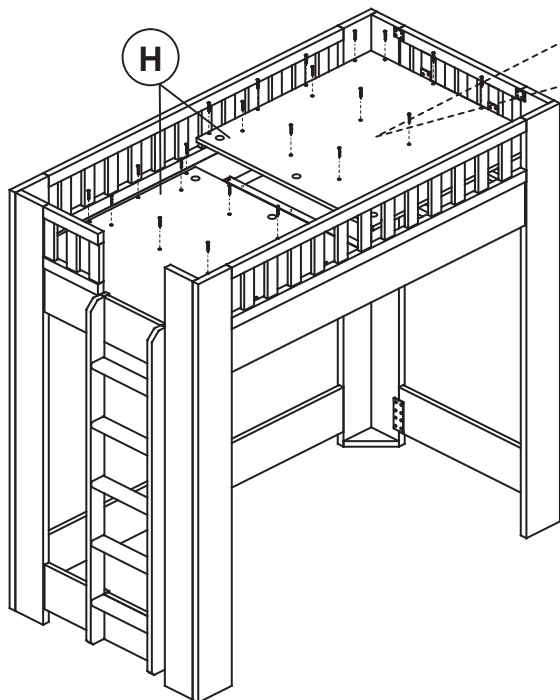
STEP 8:

Lay the Stretcher Bars (G) in between the Front/Back Guard Rails (C), then tighten using Long Screws (4) and Phillips-head screwdriver.



STEP 9:

Lay the Top Platform Panels (H) on top of the Stretcher Bars (G) and attach using Qty.40 Long Screws (4) with Phillips-head screwdriver.



RHBABY&CHILD

CALLUM TWIN LOFT BED – ASSEMBLY INSTRUCTIONS

INSTALL BEDDING

STEP 10:

BEDDING SPECIFICATIONS FOR TOP BUNK:

The following size mattress and Foundation are specified for use with this Bunk bed:

MATTRESS DIMENSION SPECIFICATIONS FOR TOP BUNK

Twin - over - twin bunk: 75" long x 38" wide x 7" thick

Full - over - full bunk: 75" long x 53" wide x 7" thick

MATTRESS DIMENSION SPECIFICATIONS FOR LOWER BUNK

Twin - over - twin bunk: 75" long x 38" wide x 10" thick

Full - over - full bunk: 75" long x 53" wide x 10" thick

PLATFORM :

-Twin - over - twin bunk: Upper bed consists of 2 pcs platform 37 3/4" long x 38 3/4" wide x 3/4" thick & bottom bed consists of 14 pcs slats 38 3/4" long x 2 1/2" wide x 3/4" thick.

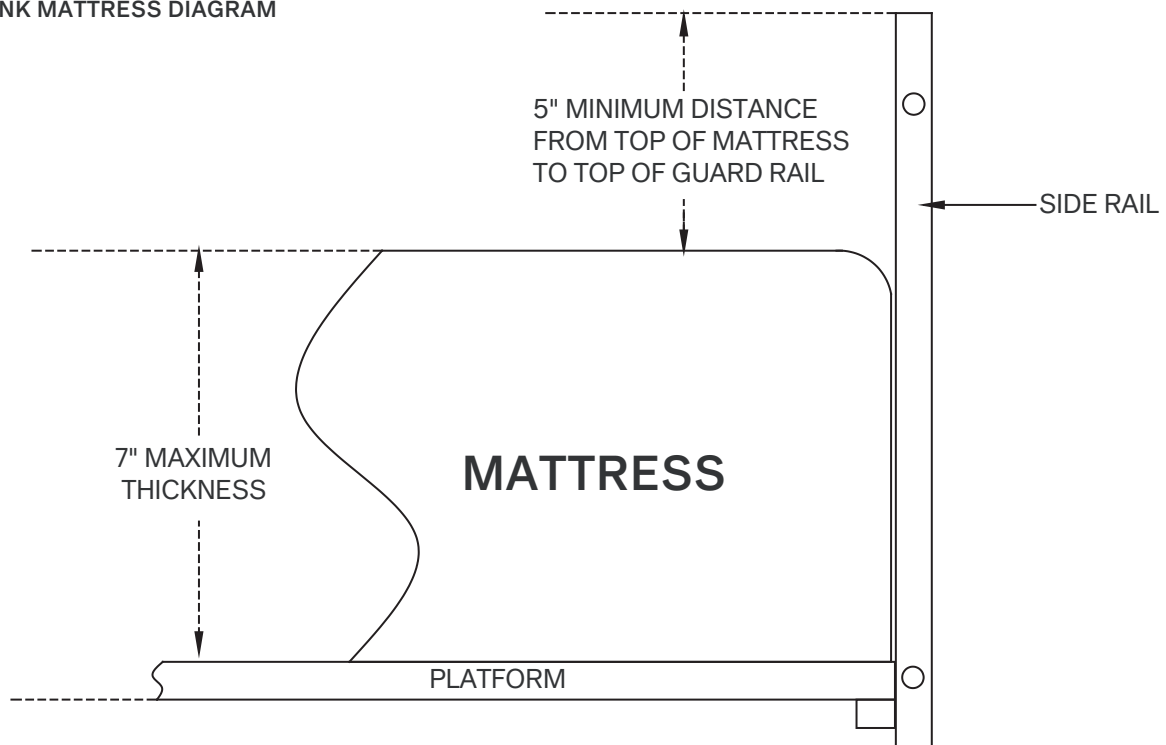
-Full - over - full Bunk: Upper bed consists of 2 pcs platform 37 3/4" long x 53 7/8" wide x 3/4" thick & bottom bed consists of 14 pcs slats 53 7/8" long x 2 1/2" wide x 3/4" thick.

****Note: MATTRESS THICKNESS MUST NOT EXCEED MAX 7" FOR TOP BUNK.**

Be sure to adhere to these BEDDING SPECIFICATIONS in order to avoid the possibility of falling or entrapment.

THESE SPECIFICATIONS MUST BE STRICTLY ADHERED TO !

UPPER BUNK MATTRESS DIAGRAM



CARE INSTRUCTIONS

- Dust often using a clean, soft, dry, lint-free cloth.
- Blot spills immediately, and wipe with a clean, damp cloth.
- Do not use chemical cleansers, abrasives or furniture polish on the lacquered finish.