

RHBABY&CHILD

CALLUM WIDE DRESSER ANTI-TIP KIT – ASSEMBLY INSTRUCTIONS


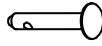



PARTS INCLUDED

A [1] WIDE DRESSER

TOOLS NEEDED



PHILLIPS-HEAD SCREWDRIVER (NOT INCLUDED)

NO.	ITEM	DESCRIPTION	QTY.
1		Metal Base	2 pcs.
2		Metal Plug	2 pcs.
3		Phillips Screws M4x37 mm	2 pcs.
4		Phillips Screws M4x16 mm	2 pcs.
5		Metal Cable	1 pc.

ANTI-TIPPING RESTRAINT:

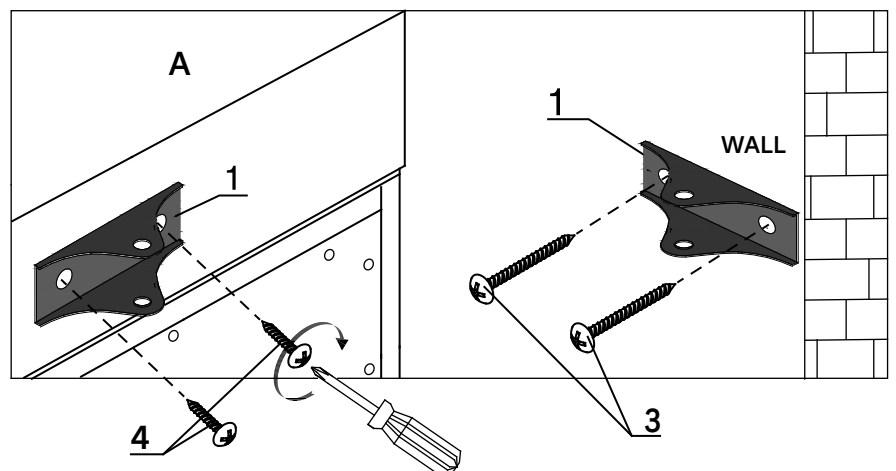
YOUNG CHILDREN MAY BE INJURED BY TIPPING FURNITURE. THE USE OF ANTI-TIPPING RESTRAINT IS HIGHLY RECOMMENDED. WHEN PROPERLY INSTALLED, THIS RESTRAINT COULD PROVIDE PROTECTION AGAINST THE UNEXPECTED TIPPING OF FURNITURE DUE TO SMALL TREMORS, BUMPS OR CLIMBING. WE RECOMMEND ATTACHMENT TO A WALL STUD WHERE POSSIBLE OR INSTALLATION BY A PROFESSIONAL WHEN ATTACHING THE ANTI-TIP KIT TO MASONRY OR CONCRETE WALL.

WARNING:

THIS PRODUCT IS ONLY A DETERRENT. IT IS NOT A SUBSTITUTE FOR PROPER ADULT SUPERVISION.

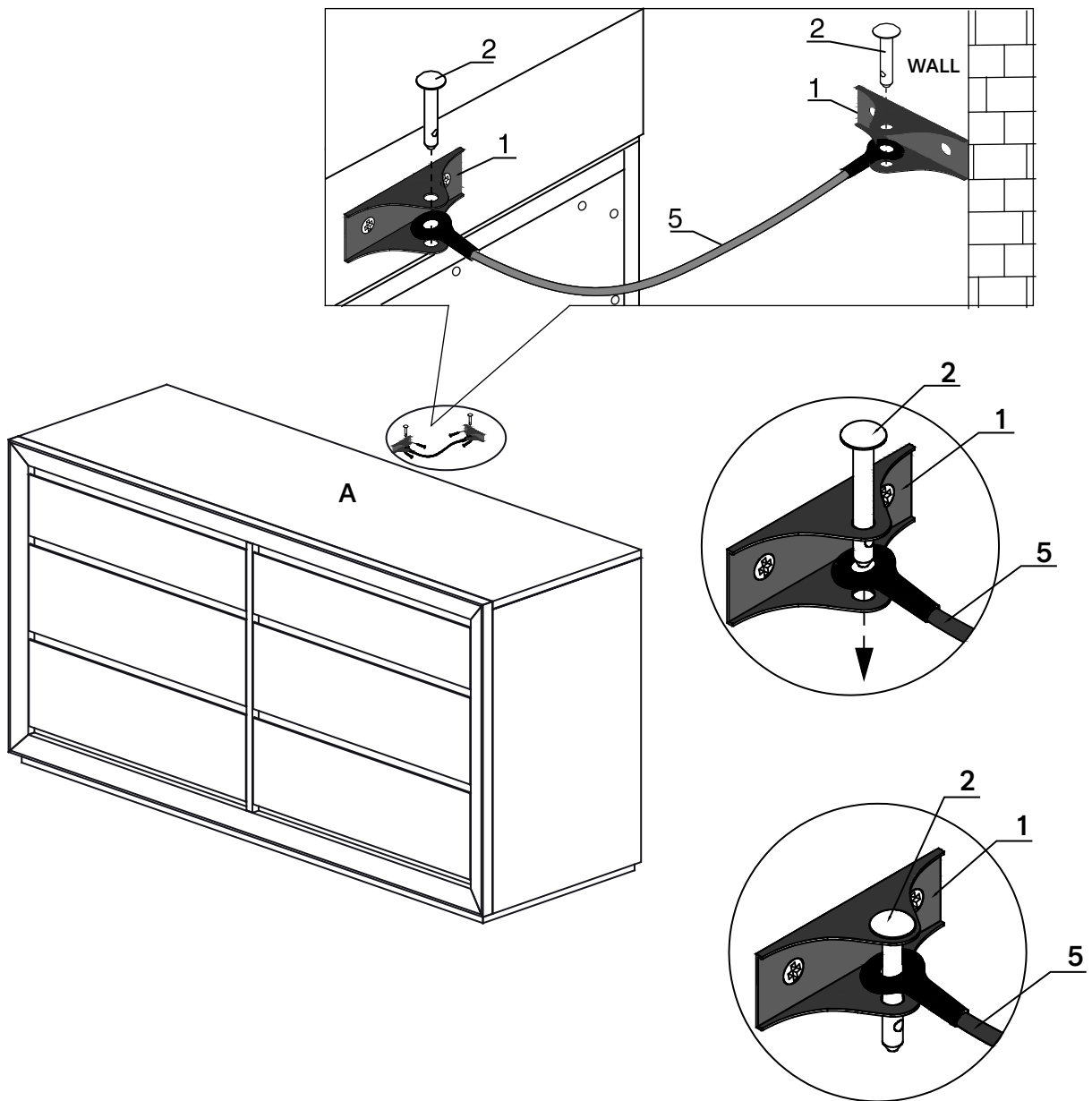
ASSEMBLY INSTRUCTIONS:

1. ATTACH METAL BASE TO THE WIDE DRESSER (A) AND THE WALL USING THE SCREWS PROVIDED (3, 4).
2. PLACE THE TWO ENDS OF METAL CABLE (5) IN THE MIDDLE OF METAL BASE AND CONNECT THEM WITH METAL PLUGS (2) THROUGH THE HOLES IN THE METAL BASE AND WIRE HEAD.



RH BABY & CHILD

CALLUM WIDE DRESSER ANTI-TIP KIT - ASSEMBLY INSTRUCTIONS



CARE INSTRUCTIONS:

1. DUST OFTEN USING A CLEAN, SOFT, DRY LINT-FREE CLOTH.
2. BLOT SPILLS IMMEDIATELY AND WIPE WITH A CLEAN, DAMP CLOTH.
3. DO NOT USE CHEMICAL CLEANSERS, ABRASIVES OR FURNITURE POLISH ON THE LACQUERED FINISH.