

RHBABY&CHILD

CALLUM WIDE DRESSER ANTI-TIP KIT – ASSEMBLY INSTRUCTIONS


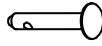



PARTS INCLUDED

A [1] WIDE DRESSER

TOOLS NEEDED



PHILLIPS-HEAD SCREWDRIVER (NOT INCLUDED)

NO.	ITEM	DESCRIPTION	QTY.
1		Metal Base	2 pcs.
2		Metal Plug	2 pcs.
3		Phillips Screws M4x37 mm	2 pcs.
4		Phillips Screws M4x16 mm	2 pcs.
5		Metal Cable	1 pc.

ANTI-TIPPING RESTRAINT:

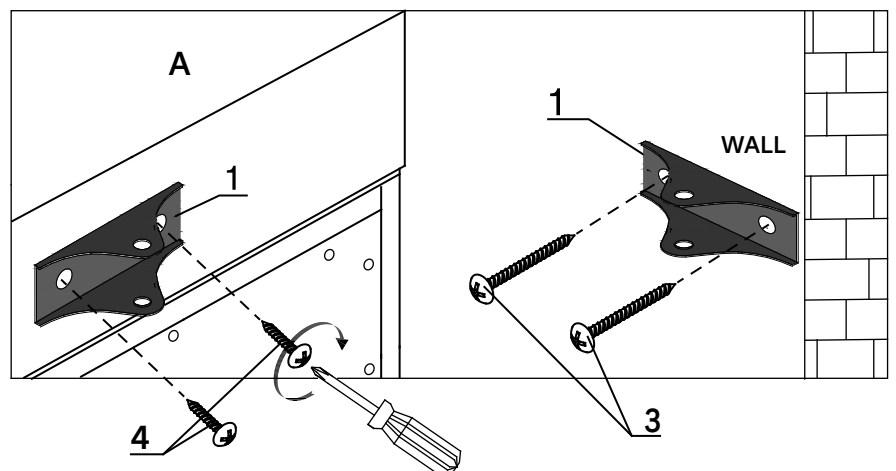
YOUNG CHILDREN MAY BE INJURED BY TIPPING FURNITURE. THE USE OF ANTI-TIPPING RESTRAINT IS HIGHLY RECOMMENDED. WHEN PROPERLY INSTALLED, THIS RESTRAINT COULD PROVIDE PROTECTION AGAINST THE UNEXPECTED TIPPING OF FURNITURE DUE TO SMALL TREMORS, BUMPS OR CLIMBING. WE RECOMMEND ATTACHMENT TO A WALL STUD WHERE POSSIBLE OR INSTALLATION BY A PROFESSIONAL WHEN ATTACHING THE ANTI-TIP KIT TO MASONRY OR CONCRETE WALL.

WARNING:

THIS PRODUCT IS ONLY A DETERRENT. IT IS NOT A SUBSTITUTE FOR PROPER ADULT SUPERVISION.

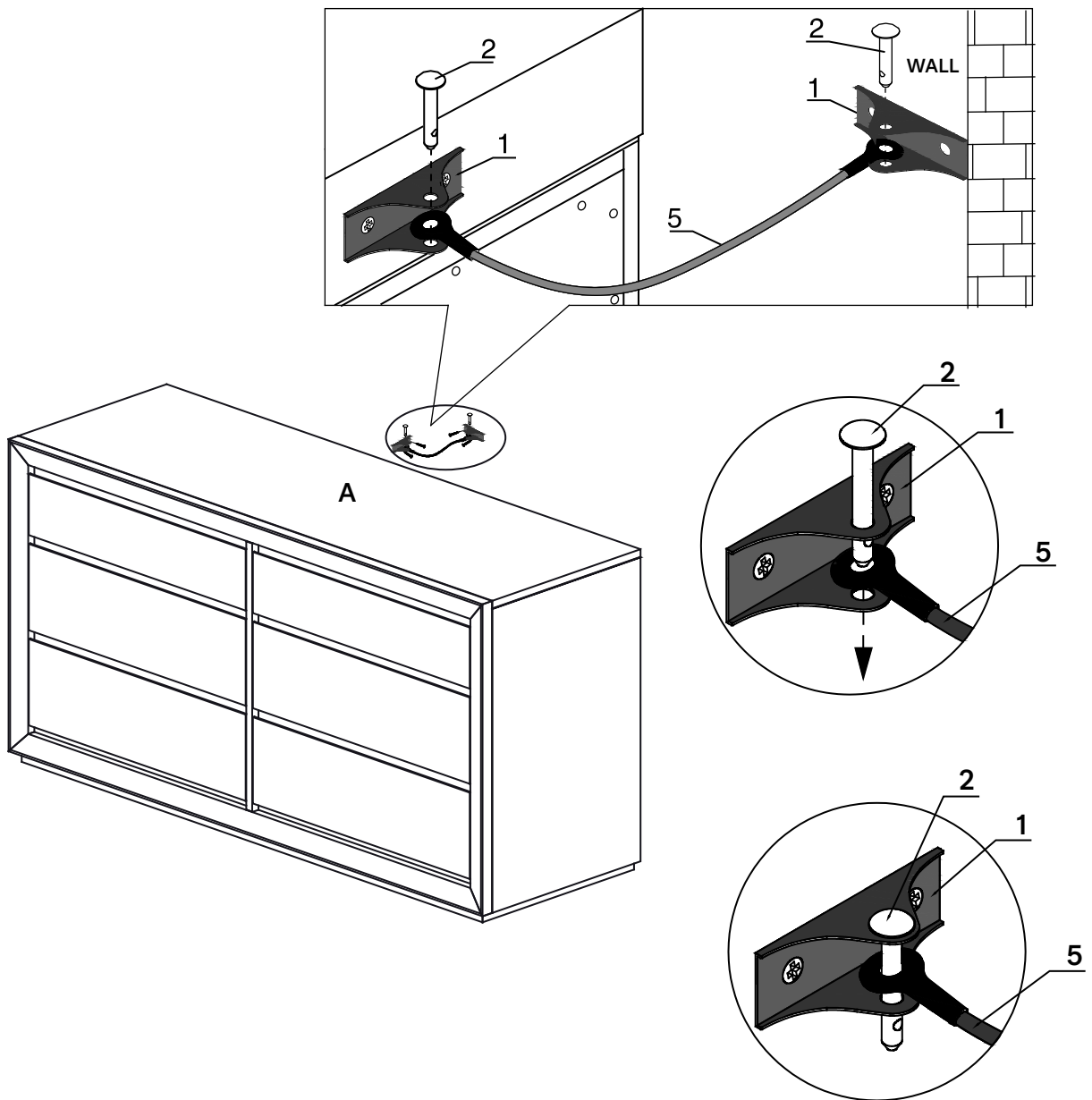
ASSEMBLY INSTRUCTIONS:

1. ATTACH METAL BASE TO THE WIDE DRESSER (A) AND THE WALL USING THE SCREWS PROVIDED (3, 4).
2. PLACE THE TWO ENDS OF METAL CABLE (5) IN THE MIDDLE OF METAL BASE AND CONNECT THEM WITH METAL PLUGS (2) THROUGH THE HOLES IN THE METAL BASE AND WIRE HEAD.



RH BABY & CHILD

CALLUM WIDE DRESSER ANTI-TIP KIT - ASSEMBLY INSTRUCTIONS



CARE INSTRUCTIONS:

1. DUST OFTEN USING A CLEAN, SOFT, DRY LINT-FREE CLOTH.
2. BLOT SPILLS IMMEDIATELY AND WIPE WITH A CLEAN, DAMP CLOTH.
3. DO NOT USE CHEMICAL CLEANSERS, ABRASIVES OR FURNITURE POLISH ON THE LACQUERED FINISH.

CALLUM WIDE DRESSER TOPPER

 **WARNING :**

FALL HAZARD - To prevent death or serious injury from falls, always keep child within arm's reach. NEVER LEAVE CHILD UNATTENDED and always use restraining system.

This changing table is intended for use with children weighing up to 30 pounds.

CALLUM WIDE DRESSER TOPPER will be used with CALLUM WIDE DRESSER (sold separately) with size 60"W x 20"D x 30"H. Cushion pad size is 60"L x 18"W x 3"H.

Do not use the CALLUM WIDE DRESSER or CALLUM WIDE DRESSER TOPPER if damaged or broken.

Customer Service- If you are missing parts or have any questions about this product, please contact us at :
1-800-762-1751

IMPORTANT SAFETY INSTRUCTIONS :

Please read all instructions before use of the Dresser or Topper.
For your safety, assembly by two or more adults is recommended.
Keep instructions for future use.

PRE-ASSEMBLY :

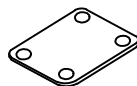
- The illustrations provided allow for easier assembly when used in conjunction with the assembly instructions.
- Remove all parts and hardware from the box and lay out on a carpeted or scratch-free work surface. The shipping box provides an ideal work surface. Do not dispose of any contents until assembly is completed to avoid accidentally discarding small parts or hardware.
- Use the parts on the hardware list to identify and separate each of the pieces included prior to starting assembly.
- Note: Do not fully tighten the screws until all parts are in place. Failure to follow these instructions may cause the screws to misalign during assembly.
- If using power tools to aid in assembly please use caution. Power tools can damage hardware or split wood.

PARTS INCLUDED :

A [1] Wide Dresser Topper

HARDWARE INCLUDED :

B [2] Metal Brackets



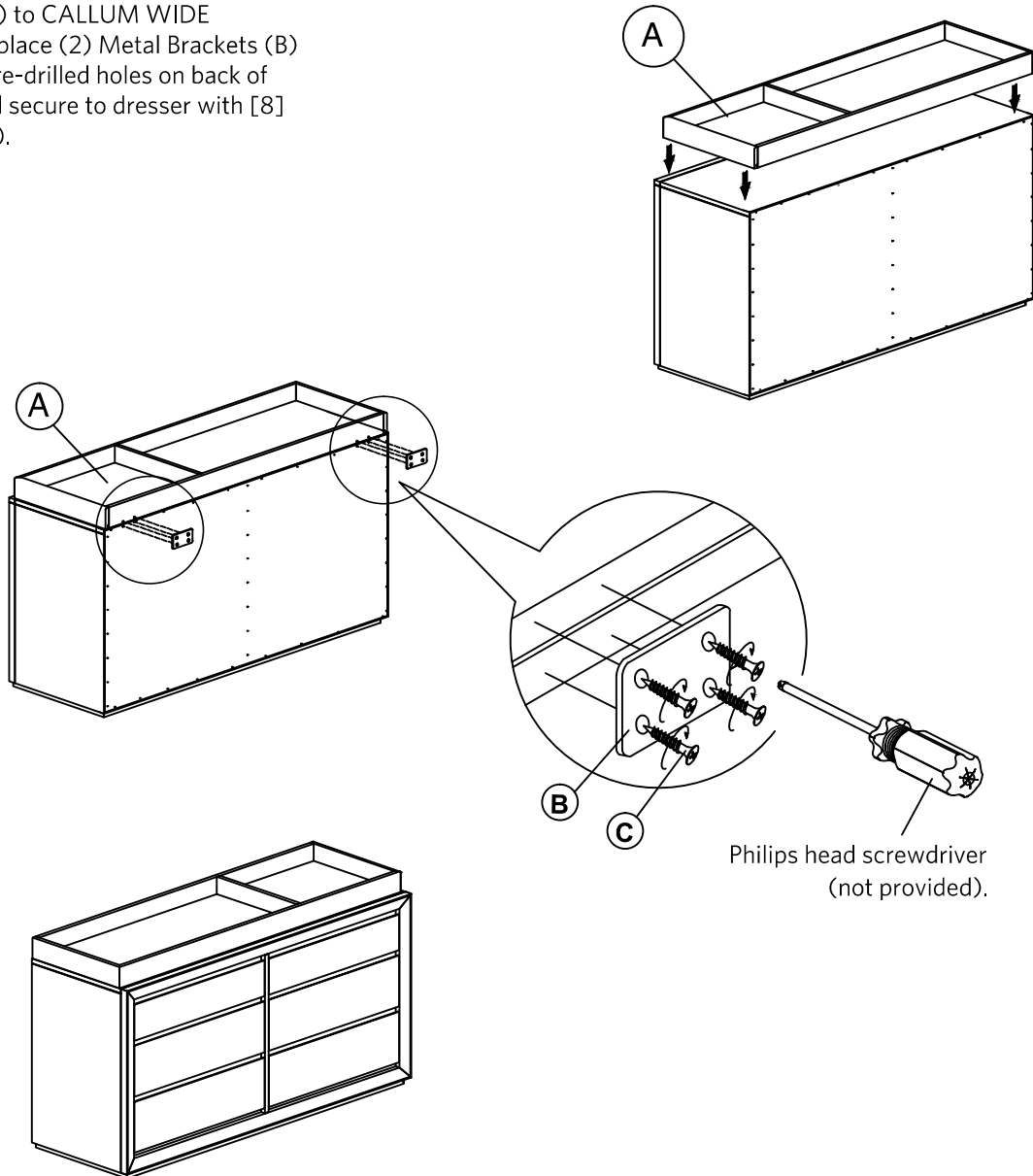
C [8] Screws 7x15mm



CALLUM WIDE DRESSER TOPPER

ASSEMBLY INSTRUCTIONS:

To connect CALLUM Wide Dresser Topper (A) to CALLUM WIDE DRESSER, place (2) Metal Brackets (B) over the pre-drilled holes on back of topper and secure to dresser with [8] Screws (C).



CARE INSTRUCTIONS :

1. Dust often using a clean, soft, dry lint-free cloth.
2. Blot spills immediately, and wipe with a clean, damp cloth.
3. We do not recommend the use of chemical cleansers, abrasives, or furniture polish on our lacquered finish.