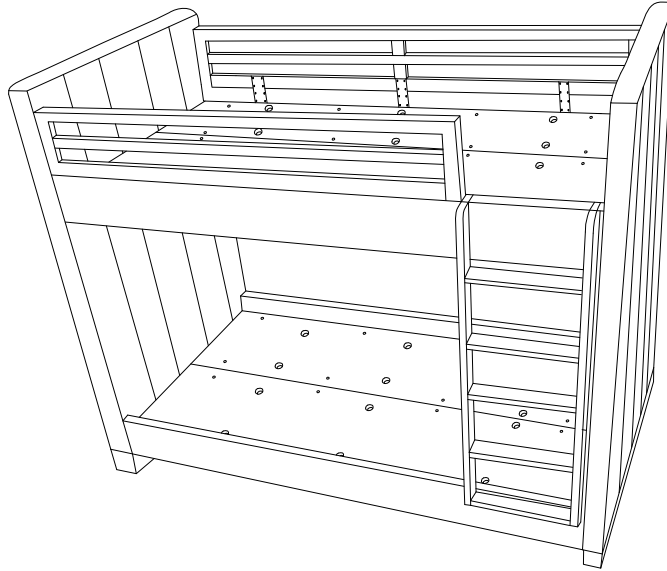


RHBABY&CHILD

Carver Bunk Bed With Ladder– Assembly Instruction

Made In China



WARNING: Read all instructions before assembling this product. **KEEP INSTRUCTIONS FOR FUTURE USE.**

CUSTOMER SERVICE

If you are missing parts or have any questions about this product, contact us first. You can also order parts writing to the address above. Include the product model number, color, and a brief description of the part. Call 1-800-762-1751

CARE AND CLEANING

DO NOT use abrasive chemicals for cleaning. Dust often using a clean, soft dry cloth add period & Dab spills quickly with a soft cloth. Vacuum to remove dust.

If the Bunk Bed is to be stored, store in a cool dry place and carefully package all original hardware to protect from loss.

RHBABY&CHILD

Carver Bunk Bed With Ladder– Assembly Instruction

IMPORTANT SAFETY INFORMATION FOR BUNK BED

1. Follow the information on the WARNINGS appearing on the upper bunk end structure and on the carton. Do not remove warning label from bed
2. Always use the specified size mattress, to help prevent the likelihood of entrapment or falls
3. Surface of mattress must be at least 5 inches below the upper edge of guardrails on top bunk
4. Do not allow children under 6 years of age to use upper bunk.
5. Prohibit more than one person on upper bunk
6. Periodically check and ensure that the guardrails, ladder, and other components are in their proper position, free from damage, and that all connectors are tight.
7. Do not allow horseplay on or under the bed and prohibit jumping on the bed.
8. Always use the ladder for entering and leaving the upper bunk.
9. Do not use substitute parts. Contact Restoration Hardware for replacement parts.
10. Use of a night light may provide added safety precaution for a child using the upper bunk.
11. Use guardrails on both sides of the upper bunk.
12. If the bunk bed will be placed next to a wall, the guardrail that runs the full length of the bed should be placed against the wall to prevent entrapment between the bed and the wall.
13. The use of water flotation mattress is prohibited.
14. STRANGULATION HAZARD - Never attach or hang items to any part of the bunk bed that not designed for use with the bed: for example, but not limited to, hooks, belts, and jump ropes
15. Keep these instructions for future reference.

⚠ WARNING

TO HELP PREVENT

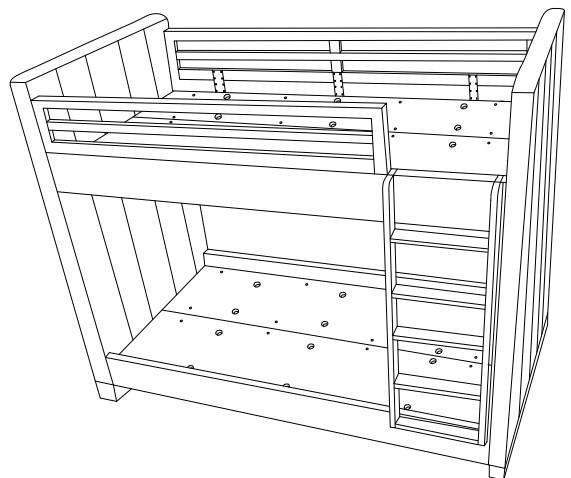
SERIOUS OR FATAL INJURIES FROM ENTRAPMENT OR FALLS

- Never allow a child under 6 years old on upper bunk
- Prohibit horseplay on or under bed(s)
- Prohibit more than one person on upper bunk
- Use ladder for entering and leaving upper bunk
- Use guardrails on both sides of upper bunk
- Use only mattress which is 75" long and 38" wide and 7" height on upper bunk, and mattress which is 75" long and 38" wide and 10" height on lower bunk (twin size)
- Use only mattress which is 75" long and 53" wide and 7" height on upper bunk, and mattress which is 75" long and 53" wide and 10" height on lower bunk (full size)
- Ensure thickness of mattress does not exceed 7" and mattress surface is at least 5" below upper edge of guardrails

STRANGULATION HAZARD

Never attach or hang items to any part of the bunk bed that are not designed for use with the bed, for example, but not limited to, hooks, belts and jump ropes.

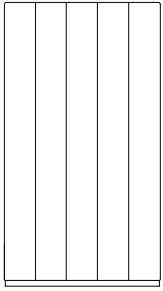
DO NOT REMOVE THIS LABEL



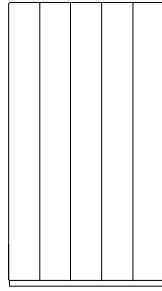
RHBABY&CHILD

Carver Bunk Bed With Ladder— Assembly Instruction

PARTS LIST



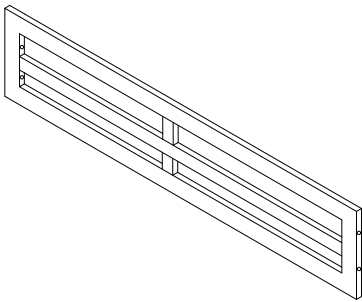
(A) Left Bunk End-1 pc



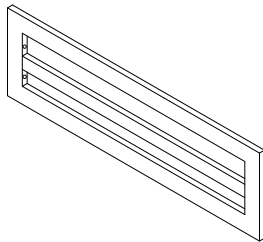
(B) Right Bunk End-1 pc



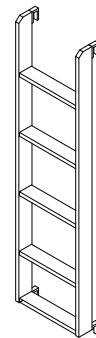
(C) Side Rail-4 pcs



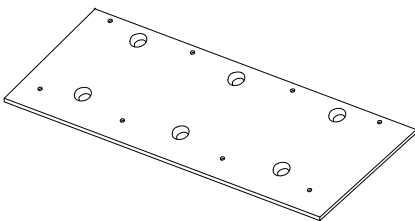
(D) Back Guard Rail-1 pc



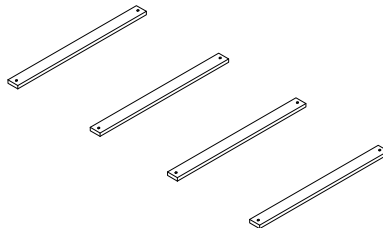
(E) Front Guard Rail-1 pc



(F) Ladder-1 pc



(G) Panel-4 pcs










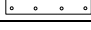




(H) Slat Roll - 2 sets

RHBABY&CHILD

Carver Bunk Bed With Ladder– Assembly Instruction

HARDWARE LIST

NO.	HARDWARE ENCLOSED		Qty
1		Threaded Rod	16 pcs
2		Curved Washer	16 pcs
3		Spring Washer	16 pcs
4		Nut	16 pcs
5		Spanner Wrench	1 pc
6		Screw (3cm)	36 pcs
7		Screw (4cm)	16 pcs
8		Allen Key (0.5cm Dia.)	1 pc
9		Screw (2.5cm)	48 pcs
10		Metal plate	6 pcs
11		Allen Head Bolt (6.5cm)	6 pcs
12		Washer (1.9cm Dia.)	6 pcs

TOOLS NEEDED:

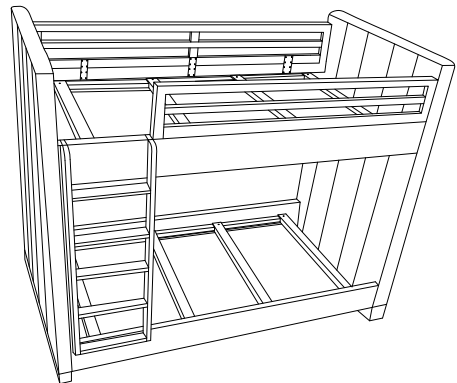
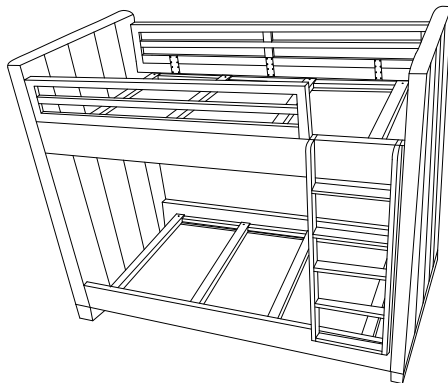
Screwdriver Phillips (Not included)



ASSEMBLY INSTRUCTION

Note:

- Bed must be assembled by at least two people.
- Please read instructions carefully before assembling bed.
- Use the above parts and fittings list to identify each component.
- Keep all packing materials until assembly is complete to avoid loss of smaller parts.
- Do not completely tighten all bolts until all steps are finished.



RH BABY & CHILD

Carver Bunk Bed With Ladder– Assembly Instruction

Process:

Step 1: Attach Side Rail (C) to Left Bunk End (A) and Right Bunk End (B).

Stand Right Bunk End (B) upright and insert Thread Rod (1) to the prefabricated holes. Then align Side Rail (C) to Right Bunk End (B) with Thread Rod (1) into the holes in Side Rail (D). Attach Curved Washer (2), Lock Washer (3) and Nut (4) onto Thread Rod (1) and Tighten Nut (4) with Spanner Wrench (5), as shown in Diagram I.

Repeat the procedure to attach Side Rail (C) to Left Bunk End (A).

Step 2: Lay the Slat (H) in between Side Rail (C) and then tighten with Screw (7), as shown in Diagram II.

Step 3: Attach Back Guard Rail (D) to Left Bunk End (A) and Right Bunk End (B), by using the Allen Key (8) to tighten Allen Head Bolt (11) with Washer (12) attached. as shown in Diagram III. Repeat the procedure to assembly Front Guard Rail

Step 4: For Bunks with Ladder on Left side, attach Front Guard Rail (E) to the Right Bunk End (B), so the ladder sits on Left.

For Bunks with Ladder on the Right Side, attach Front Guard Rail (E) to the Left Bunk End (A), so the ladder sits on Right.

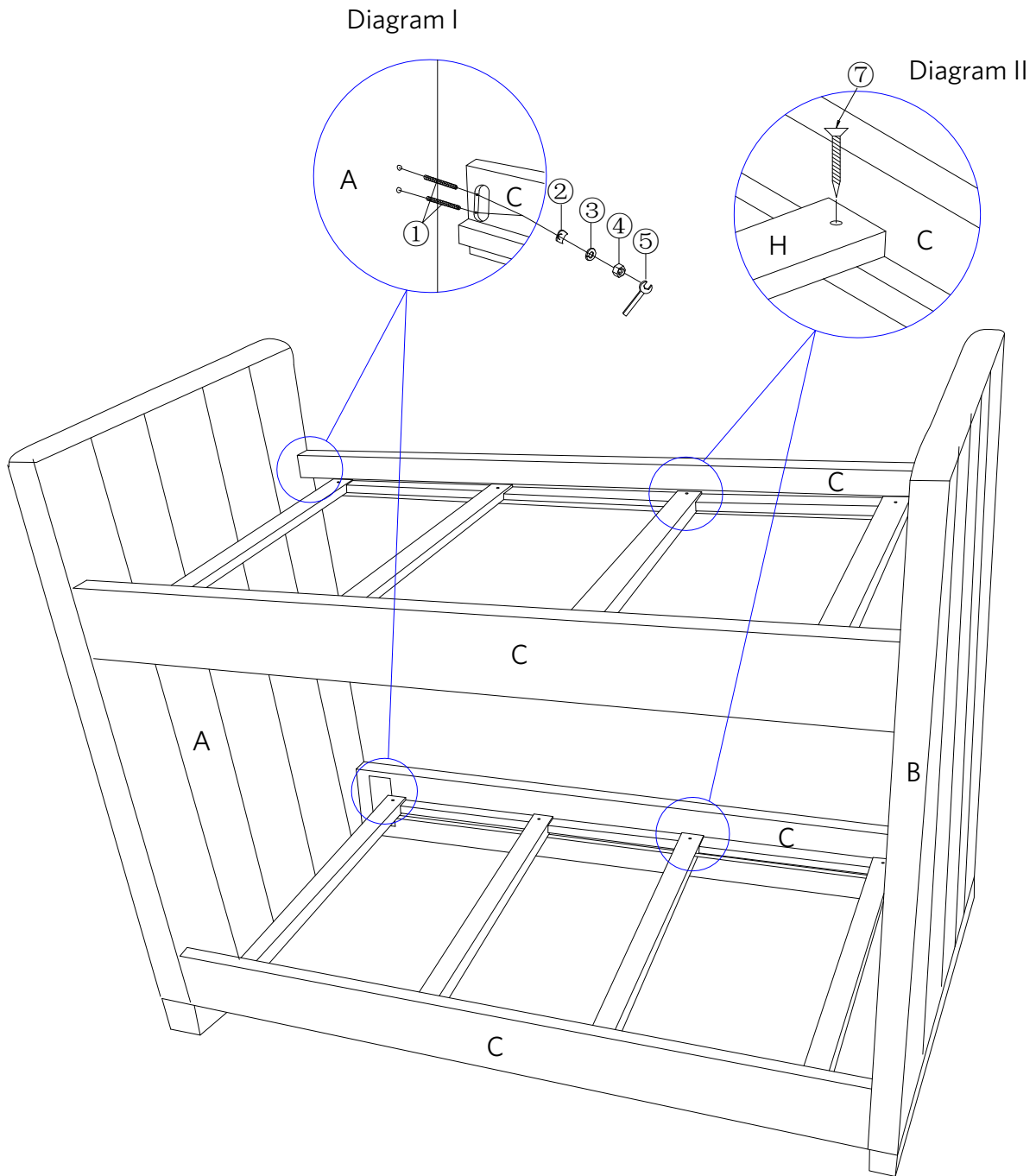
Step 5: Reinforce the Back Guard Rail (D) and Front Guard Rail (E) with Metal Plate (10) and tighten with Screw (9), as shown in Diagram IV.

Step 6: Lay the Panel (G) in between Side Rails (C) and then tighten with Screw (6), as shown in Diagram V.

Step 7: Attach Ladder (F) to Side Rail next to Front Guard Rail (E), Tighten with screw (6) as shown in Diagram VI and VII.

RHBABY&CHILD

Carver Bunk Bed With Ladder – Assembly Instruction



RHBABY&CHILD

Carver Bunk Bed With Ladder— Assembly Instruction

Diagram III

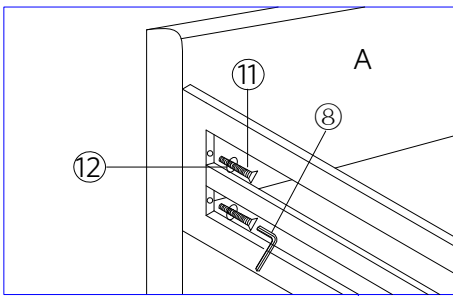
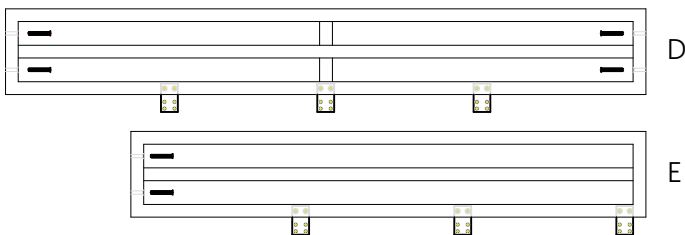
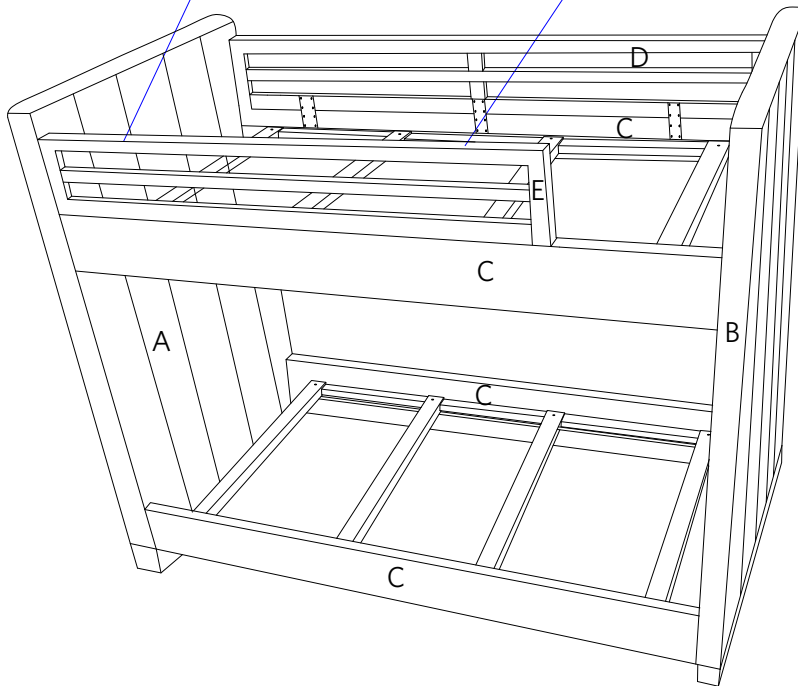
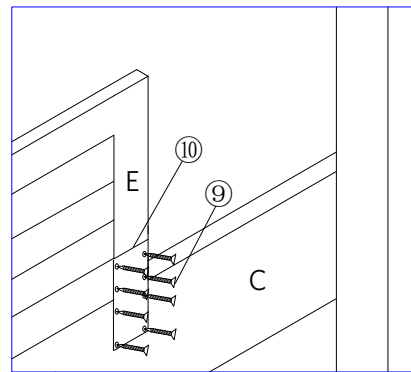


Diagram IV



RHBABY&CHILD

Carver Bunk Bed With Ladder— Assembly Instruction

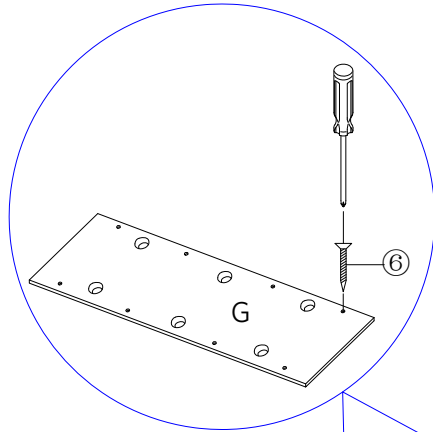


Diagram V

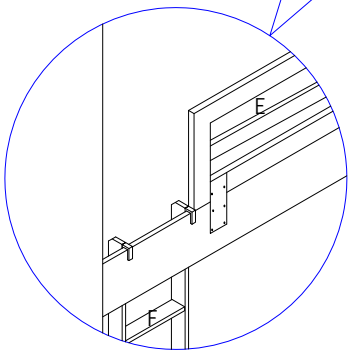
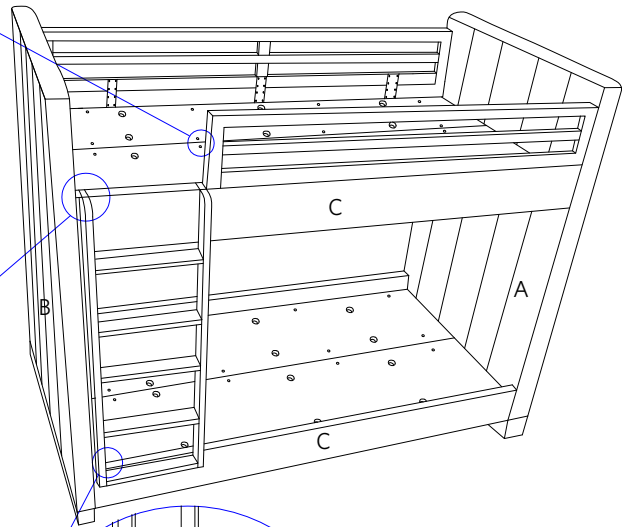
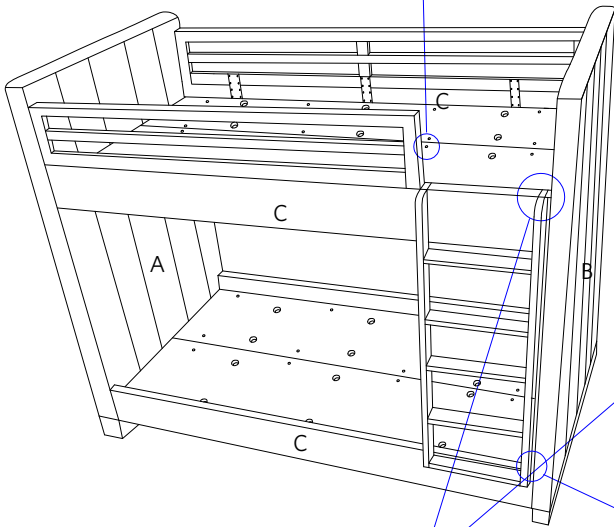


Diagram VI

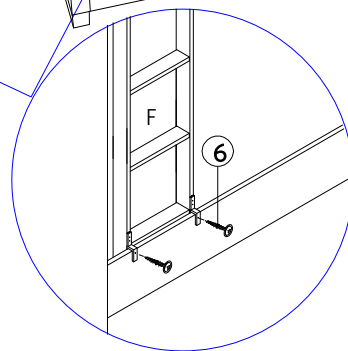


Diagram VII

RHBABY&CHILD

Carver Bunk Bed With Ladder— Assembly Instruction

Step 8: Install Bedding:

BEDDING SPECIFICATION:

The following size mattress and Foundation are specified for use with this Bunk bed;

MATTRESS: 38"W × 75"L × 7"H on upper bunk, 38"W × 75"L × 10"H on lower bunk (twin size)
53"W × 75"L × 7"H on upper bunk, 53"W × 75"L × 10"H on lower bunk (full size)

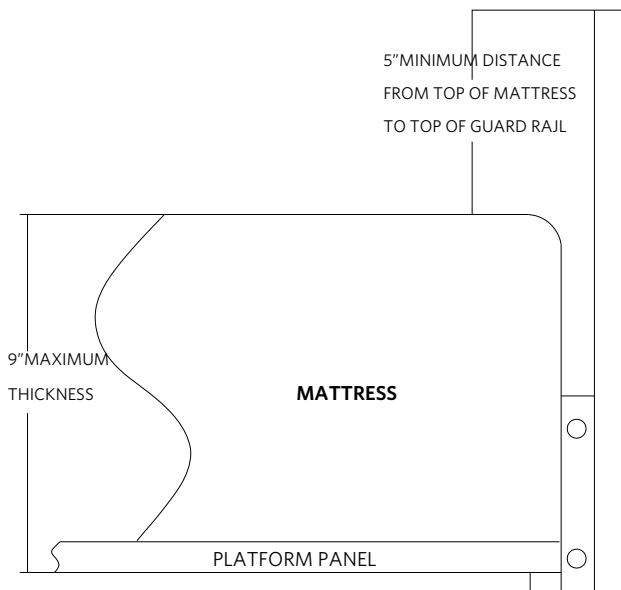
PLATFORM PANEL: CONSISTING OF 4 PANELS: 73.8"W × 18.6"L × 0.7"H (twin size)
73.8"W × 26.1"L × 0.7"H (full size)

**** Note:** MATTRESS AND PLATFORM PANEL MUST NOT EXCEED 9" TOTAL THICKNESS FOR UPPER BUNK.

Be sure to adhere to these BEDDING SPECIFICATIONS in order to avoid the possibility of failing or entrapment.

THESE SPECIFICATIONS MUST BE STRICTLY ADHERED TO!

FULL BUNK MATTRESS DIAGRAM



Thank you for your purchase

www.rhbabvandchild.com

⚠ WARNING

TO HELP PREVENT

SERIOUS OR FATAL INJURIES FROM ENTRAPMENT OR FALLS

- Never allow a child under 6 years old on upper bunk
- Prohibit horseplay on or under bed(s)
- Prohibit more than one person on upper bunk
- Use ladder for entering and leaving upper bunk
- Use guardrails on both sides of upper bunk
- Use only mattress which is 75" long and 38" wide and 7" height on upper bunk, and mattress which is 75" long and 38" wide and 10" height on lower bunk (twin size)
- Use only mattress which is 75" long and 53" wide and 7" height on upper bunk, and mattress which is 75" long and 53" wide and 10" height on lower bunk (full size)
- Ensure thickness of mattress does not exceed 7" and mattress surface is at least 5" below upper edge of guardrails

STRANGULATION HAZARD

Never attach or hang items to any part of the bunk bed that are not designed for use with the bed, such as hooks, belts and jump ropes.

DO NOT REMOVE THIS LABEL