

# RH BABY & CHILD

## CLIO SHAGREEN STORAGE PANEL CRIB - ASSEMBLY INSTRUCTIONS

---

Made in Vietnam

Distributed in the USA by:

RH Baby & Child

2900 North Macarthur Dr.

Tracy, CA 95376

USA

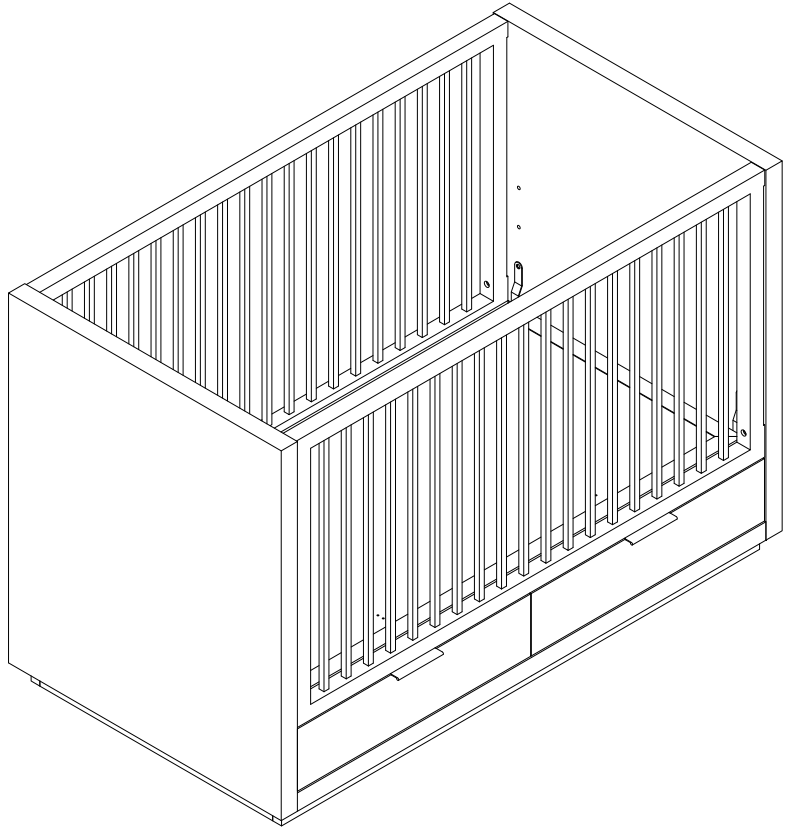
[www.rhbabyandchild.com](http://www.rhbabyandchild.com)

Distributed in Canada by:

RH Canada, Inc.

1500-1055 West Georgia Street

Vancouver, British Columbia V6E4N7



**WARNING:** Read all instructions before assembling this product. **KEEP INSTRUCTIONS FOR FUTURE USE.**

### CUSTOMER SERVICE

If you are missing parts or have any questions about this product, contact us first. You can also order parts by writing to the address above.

Include the product model number, color, and a brief description of the part. Or call 1-800-762-1751.

### CARE AND CLEANING

**DO NOT** scratch or chip the finish. **DO NOT** use abrasive chemicals for cleaning. Dust often using a clean, soft, dry cloth.

Blot spills immediately and wipe with a clean, damp cloth. If the crib is to be stored, store in a cool, dry place and carefully package all original hardware to protect from loss.

### TOOLS NEEDED

Allen key (included)

**NOTE:** Two people are recommended for assembly.

**NOTE:** When inserting bolts, turn clockwise until tight. Then loosen  $\frac{1}{2}$  -  $\frac{3}{4}$  of a turn. After crib is completely assembled, return to each bolt and tighten. Use wax or soap on all bolts to facilitate assembly.

## IMPORTANT SAFETY INFORMATION FOR CRIBS



**WARNING:** Infants can suffocate on soft bedding. Never add a pillow or comforter. Never place additional padding under an infant.



**WARNING:** Failure to follow these warnings and the assembly instructions could result in serious injury or death.

- To reduce the risk of SIDS, pediatricians recommend healthy infants to be placed on their backs to sleep, unless otherwise approved by your physician.

### ***Strangulation Hazard:***

- Strings can cause strangulation! **DO NOT** place items with a string around a child's neck, such as hood strings or pacifier cords. **DO NOT** suspend strings over a crib or attach strings to toys.
- To help prevent strangulation, tighten all fasteners. A child can trap parts of the body or clothing on loose fasteners.
- **DO NOT** place crib near a window where cords from blinds or drapes may strangle a child.

### ***Fall Hazard:***

- When a child is able to pull to a standing position, set mattress to lowest position and remove bumper pads, large toys and other objects that could serve as steps for climbing out.
- When a child is able to climb out or reaches the height of 35" (89cm), the crib should no longer be used, and the child should be placed in a youth or regular bed.
- Check this product for damaged hardware, loose joints, missing parts or sharp edges before and after assembly and frequently during use. Securely tighten loose bolts and other fasteners. **DO NOT** use crib if any parts are missing, damaged or broken. Contact customer service at 1-800-762-1751 for replacement parts and instructional literature if needed.
- **DO NOT** substitute parts.
- **DO NOT** use a water mattress with this crib.
- If refinishing, use a non-toxic finish specified for children's products.
- Follow warnings on all products in a crib.
- Never use plastic shopping bags or other plastic film as mattress covers because they can cause suffocation.
- Infants can suffocate in gaps between crib sides and a mattress that is too small.

## **IMPORTANT SAFETY INFORMATION FOR CRIBS**

**CAUTION:** ANY MATTRESS USED IN THIS CRIB SHOULD BE AT LEAST 27 1/4" X 51 5/8" WITH A THICKNESS NOT EXCEEDING 6".



### **WARNING**

Do not use this crib if you cannot exactly follow the instructions provided.

Do not use this crib for a child who can climb out of it or who is taller than 35" (89cm).

Do not place in or near the crib any cord, strap or similar item that could become wrapped around a child's neck.

Do not place this crib near a window or patio door where a child could reach the cord of a blind or curtain and get strangled.

Check this crib regularly before using it, and do not use if any part is loose or missing or if there are any signs of damage.

Do not substitute parts. Contact the manufacturer if replacement parts or additional instructions are needed.

Children can suffocate on soft bedding. Do not place pillows, comforters or soft mattresses in this crib.

Use a mattress that is no thicker than 15cm in height, and when pushed firmly against any side of the crib, there should not be a gap of more than 3cm between the mattress and any part of any other side of the crib.

## IMPORTANT SAFETY INFORMATION FOR TODDLER AND DAYBEDS



### **WARNING: ENTRAPMENT / STRANGULATION HAZARD**

Infants have died in toddler beds from entrapment and strangulation. Failure to follow these warnings and the assembly instructions could result in serious injury or death.

**NEVER** use bed with children under 15 months of age.

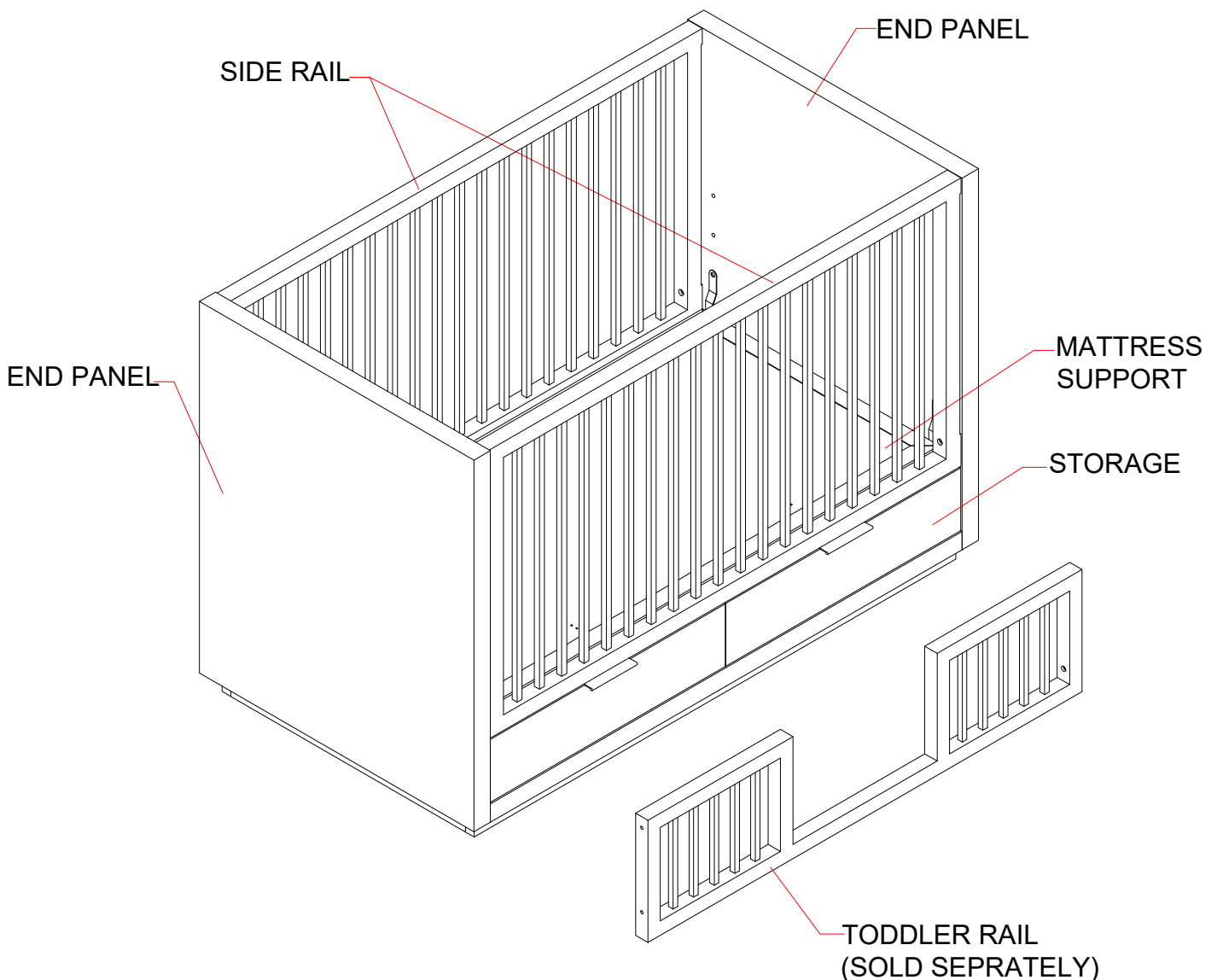
**DO NOT** place bed near windows where cords from blinds or drapes may strangle a child.

- The mattress intended for use on the bed is a full-size crib mattress having minimum dimensions of 51 5/8" (1310mm) in length, 27 1/4" (690mm) in width and 4" (100mm) in thickness, not exceeding 6" (150mm) in thickness.
- **DO NOT** place bed near windows where cords from blinds or drapes may strangle a child.
- **DO NOT** place items with a string, cord, or ribbon around a child's neck, such as hood strings or pacifier cords.
- **DO NOT** suspend strings over a toddler bed for any pacifier cords.
- A child using the toddler or daybed should be at least 15 months of age and not weigh more than 50lbs (22.7kgs).

# ITEM IDENTIFICATION

For ease of identification, all parts are labeled to correspond to the step number in which the part is used.

- Step 1 Fully remove the drawers and bottom panel of the storage  
End panels and storage assembly (Page 6)
- Step 2 Install the bottom panel and drawers (Page 7)
- Step 3 Mattress support assembly (Page 8)
- Step 4 Side rails assembly (Page 9)
- Step 5 Hide unused holes (Page 10)
- Step 6 Toddler rail assembly (Page 11)
- Step 7 Drawer removal instruction (Page 12)
- Step 8 Drawer assembly instruction (Page 13)
- Step 9 Drawer high adjustment instruction (Page 14)

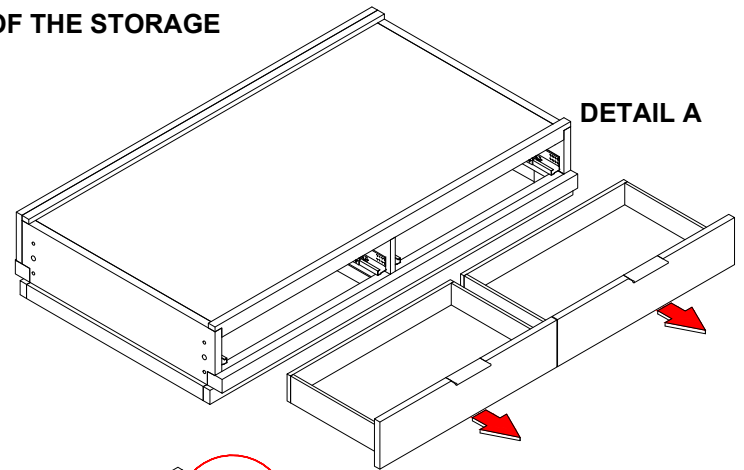


## STEP 1

### FULLY REMOVE THE DRAWERS AND BOTTOM PANEL OF THE STORAGE END PANELS AND STORAGE ASSEMBLY

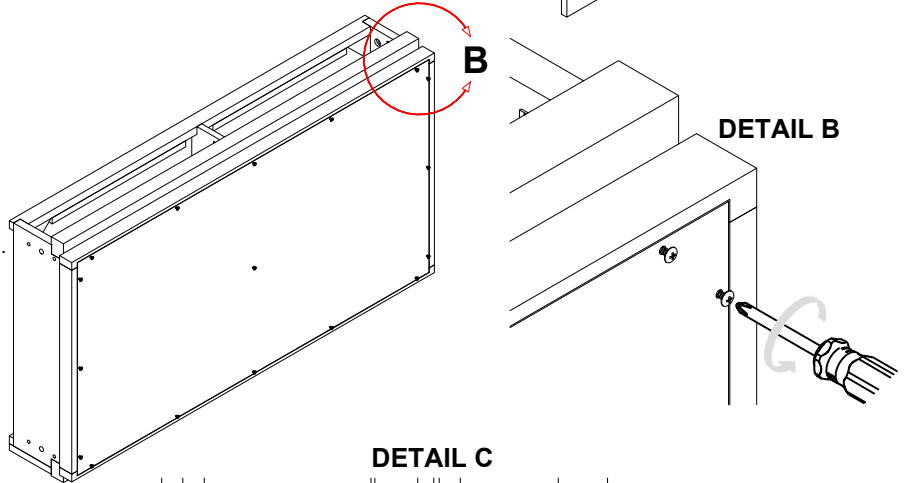
#### STEP 1.1

Fully remove all the drawers out of the storage. Please see detail on page 12 to remove drawer. See **DETAIL A**.



#### STEP 1.2

Unscrew all screws on the bottom panel and fully remove the bottom panel from storage. See **DETAIL B**.



#### STEP 1.3

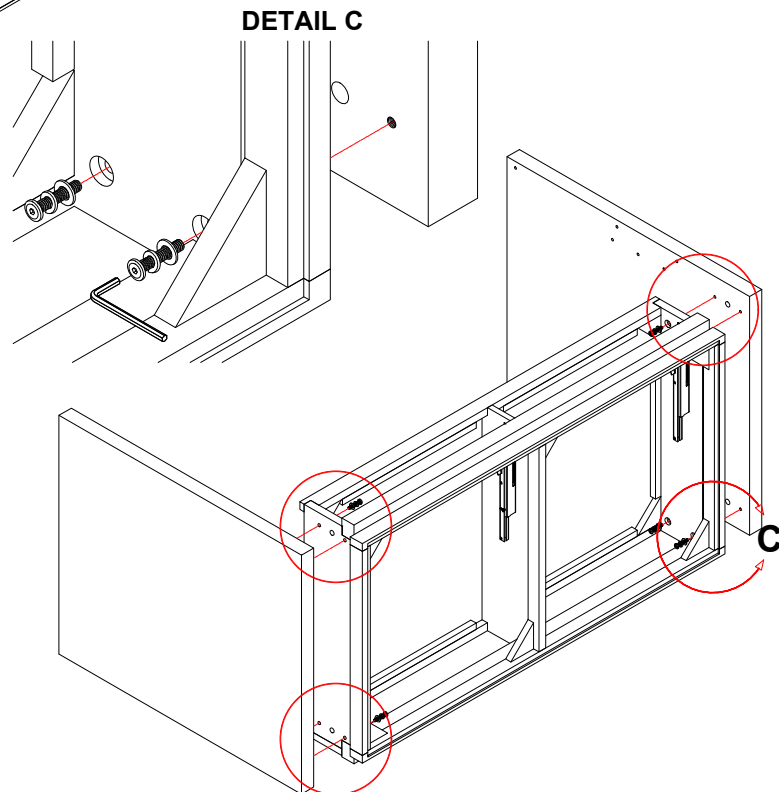
Align the locator pins on the end of the storage to the corresponding holes in the end panel, insert the end panel into the storage.

#### STEP 1.4

Attach the end panel to the storage by using Allen bolts with the lock washers and plain washers. See **DETAIL C**.

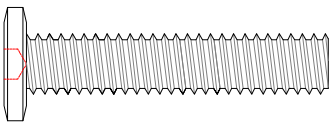
#### STEP 1.5

Repeat above procedure to attach the other end panel to the storage.

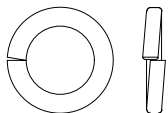


### HARDWARE NEEDED FOR STEP 1

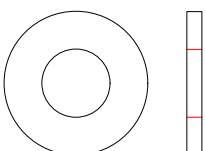
M8 x 40mm Allen Bolt = 8 pcs



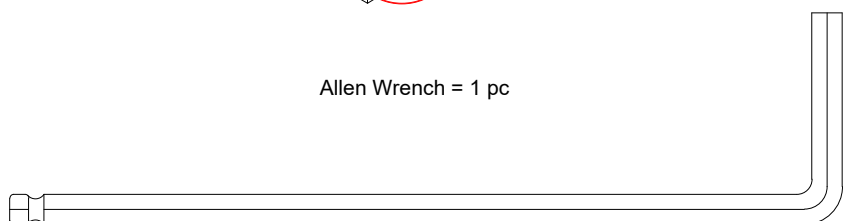
Lock Washers = 8 pcs



Plain Washers = 8 pcs



Allen Wrench = 1 pc



## STEP 2

### INSTALL THE BOTTOM PANEL AND DRAWERS

#### STEP 2.1

Install the bottom panel come back.

See **DETAIL D**.

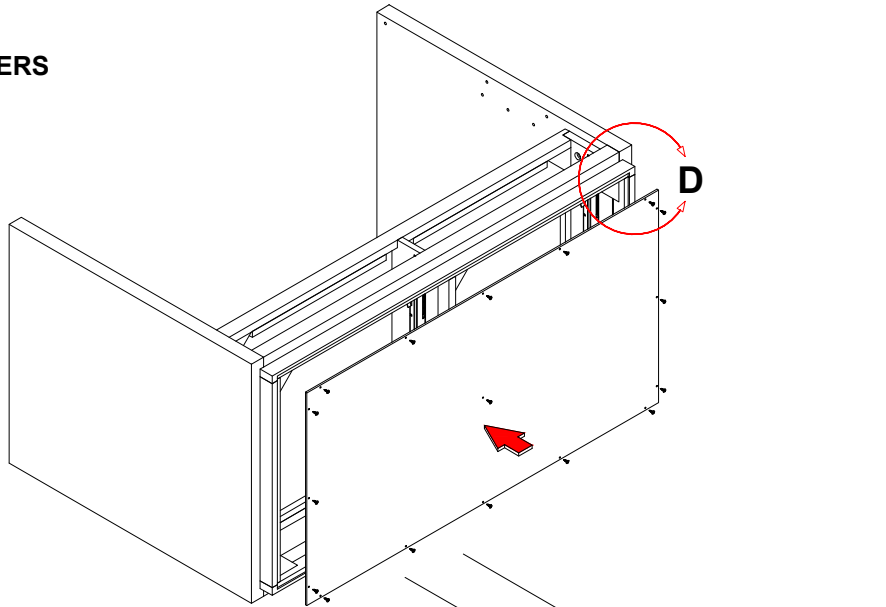
#### STEP 2.2

Once the stabilizer rails are set, gently tilt the crib as illustrated in **DETAIL E**.

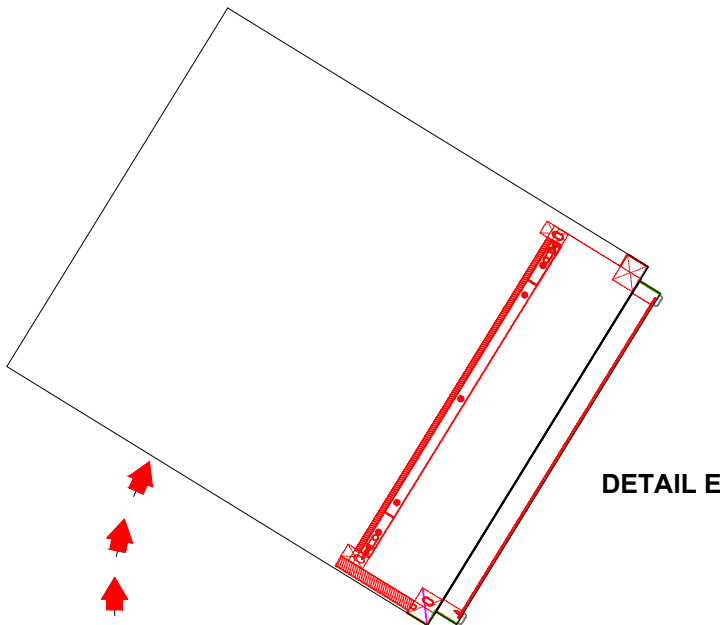
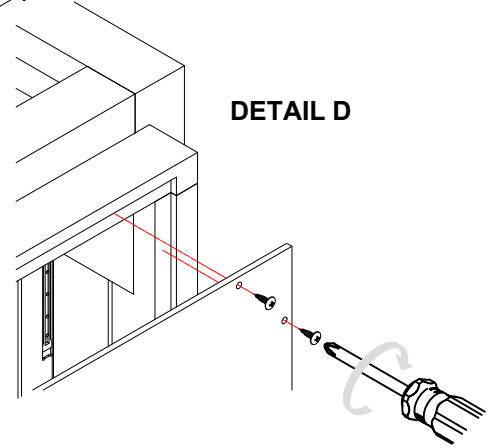
#### STEP 1.3

Return the drawers to the storage by follow step by step at page 13 and 14.

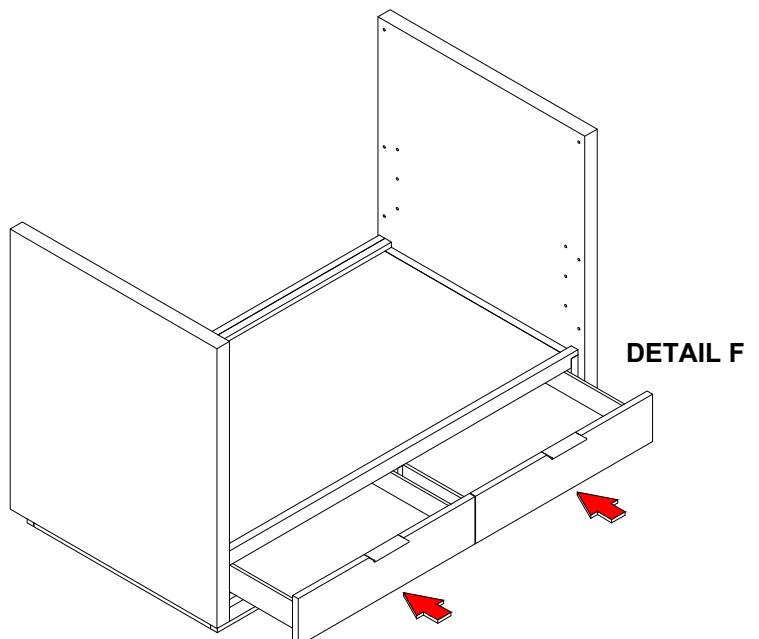
See **DETAIL F**.



**DETAIL D**



**DETAIL E**



**DETAIL F**

### STEP 3

#### MATTRESS SUPPORT ASSEMBLY

##### STEP 3.1

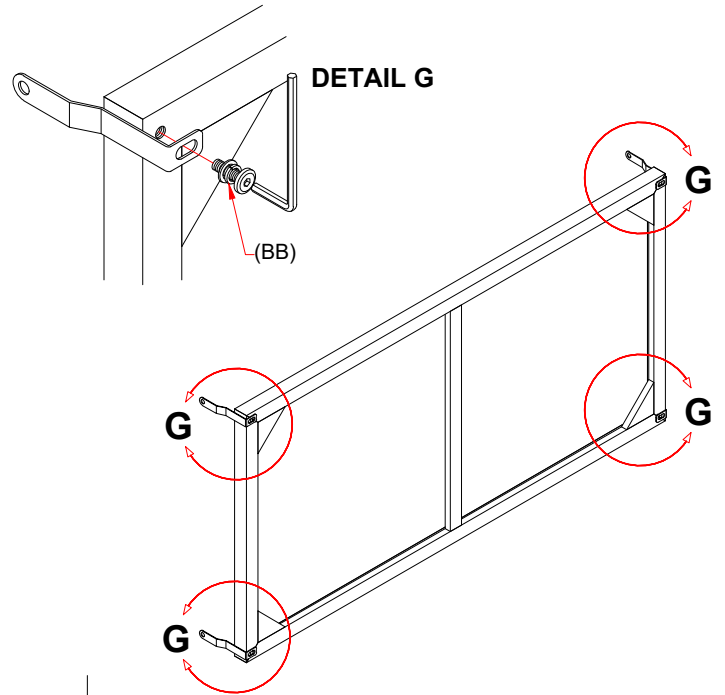
Attach the support arms to the mattress support, using Allen bolts (BB) with lock washers and plain washers. See **DETAIL G**.

##### STEP 3.2

Hang the mattress support on both end panels by using Allen bolts (BB), lock washers and plain washers, as per illustration in **DETAIL H**.

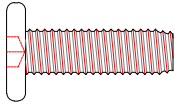
##### WARNING:

Set the mattress support to the desired height by adjusting the support arms. The mattress support should be at its highest setting for newborns, then adjusted to the lower positions as the child grows and becomes mobile. Once the child is able to stand, the mattress support should be at its lowest position.



#### HARDWARE NEEDED FOR STEP 3

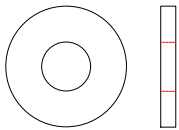
(BB) 1/4" x 13/16" Allen Bolt = 8 pcs



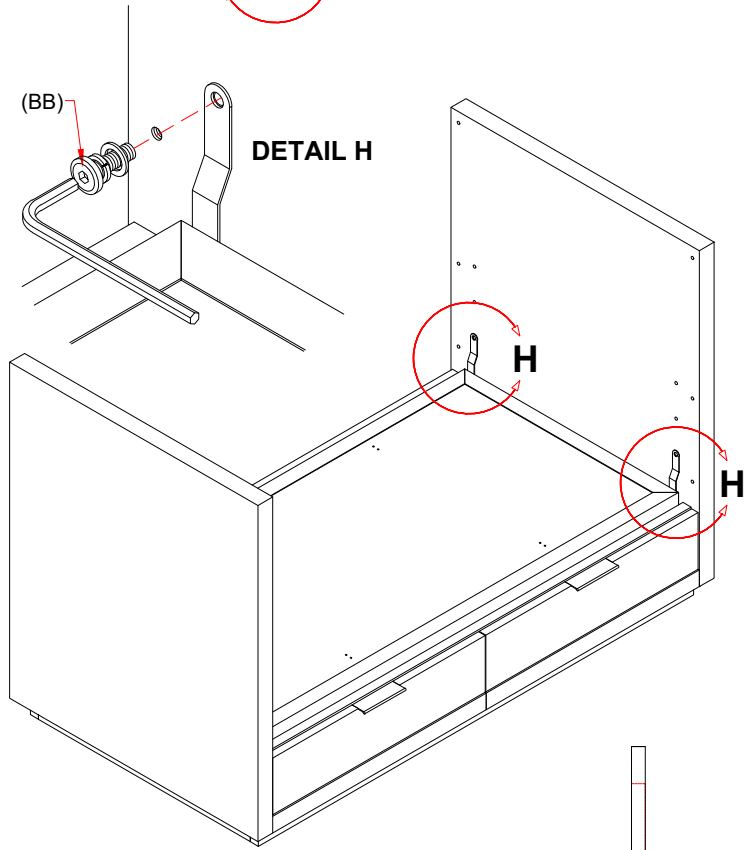
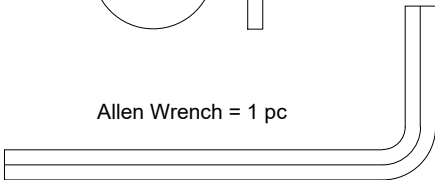
Lock Washer = 8 pcs



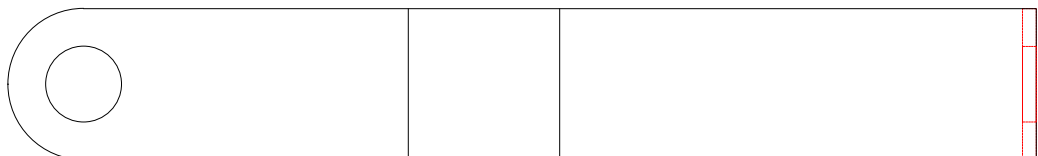
Plain Washer = 8 pcs



Allen Wrench = 1 pc



Support Arm = 4 pcs



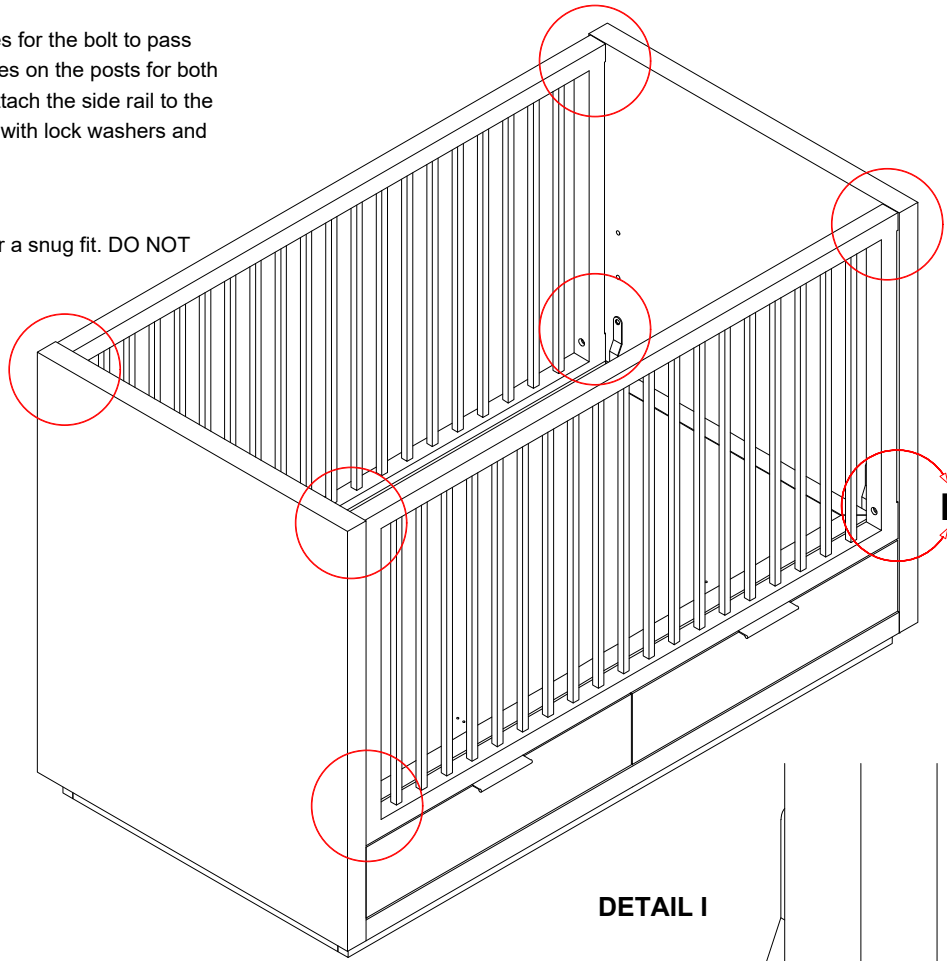


## STEP 4

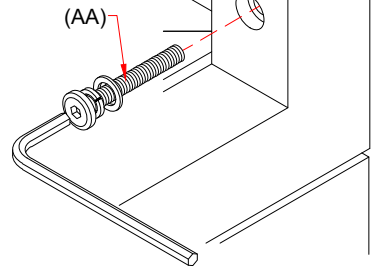
### SIDE RAILS ASSEMBLY

On both ends of the side rail are holes for the bolt to pass through, which correspond to the holes on the posts for both end panels with pre-installed nuts. Attach the side rail to the end panels by using Allen bolts (AA) with lock washers and plain washers. See **DETAIL I**.

After assembly, re-tighten all bolts for a snug fit. **DO NOT OVER TIGHTEN.**

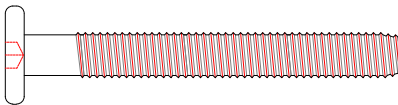


**DETAIL I**



### HARDWARE NEEDED FOR STEP 4

(AA) 1/4" x 2" Allen Bolt = 8 pcs



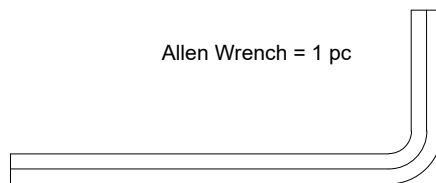
Lock Washers = 8 pcs



Plain Washers = 8 pcs



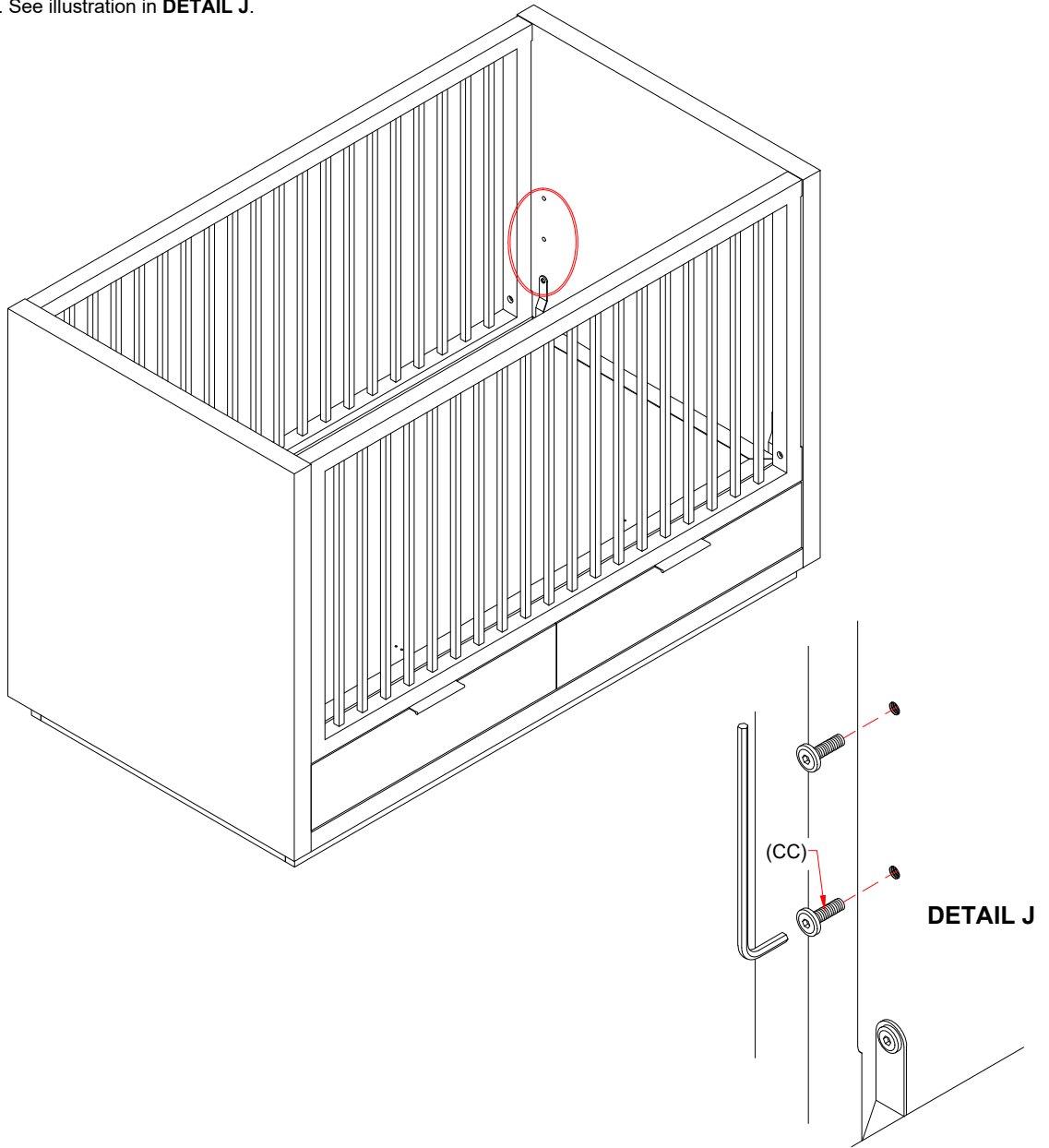
Allen Wrench = 1 pc



## STEP 5

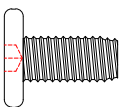
### HIDE UNUSED HOLES

When the mattress support is in middle or lowest setting, unused holes can hurt your child's fingers. Use Allen bolts (CC) provided to hide these holes. See illustration in **DETAIL J**.

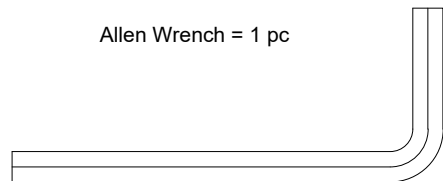


### HARDWARE NEEDED FOR STEP 5

(CC) 1/4" x 1/2" Allen Bolt = 8 pcs



Allen Wrench = 1 pc



## STEP 6

### TODDLER RAIL ASSEMBLY

#### STEP 6.1

Loose all the bolts in both ends of the front side rail to disassemble the front side rail.

#### STEP 6.2

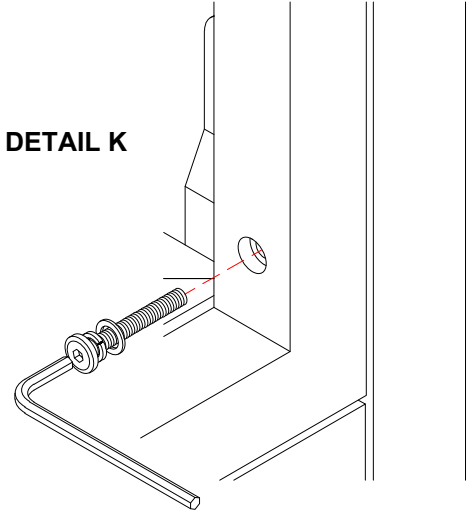
Replace the front side rail by the toddler rail. See **DETAIL K**.

After assembly re-tighten all bolts to snug fit. **DO NOT OVER TIGHTEN.**

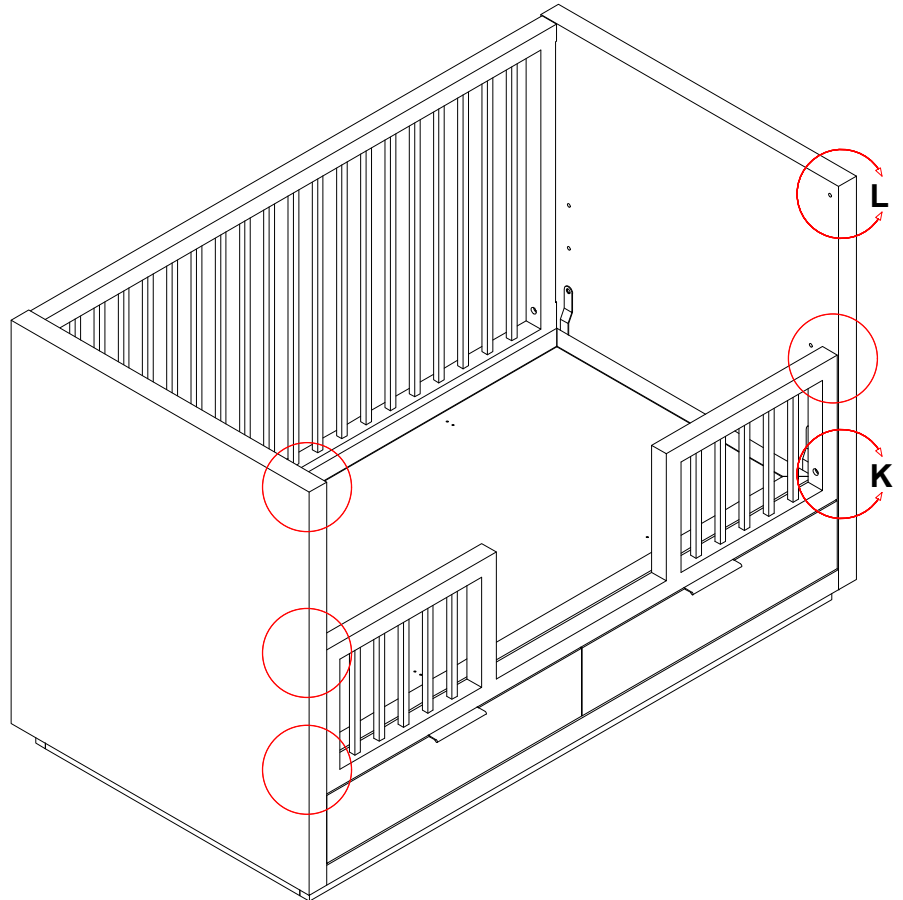
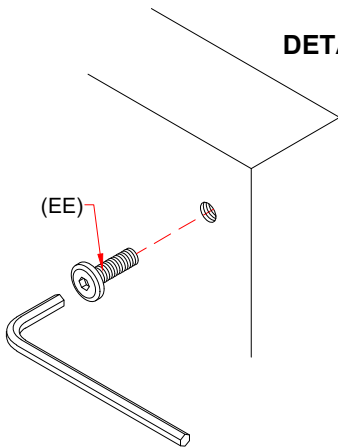
#### STEP 6.3

Some unused holes which can be visible can hurt your child's finger. Please use Allen bolts (EE) provided (Packed inside Toddler rail box) to hide these holes. See illustration in **DETAIL L**.

**DETAIL K**



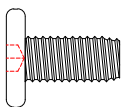
**DETAIL L**



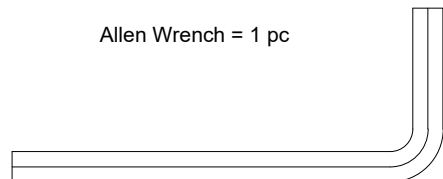
### **HARDWARE FOR STEP 6**

(PACKED INSIDE TODDLER RAIL BOX)

(EE) 1/4" x 1/2" Allen Bolt = 2 pcs



Allen Wrench = 1 pc



## STEP 7

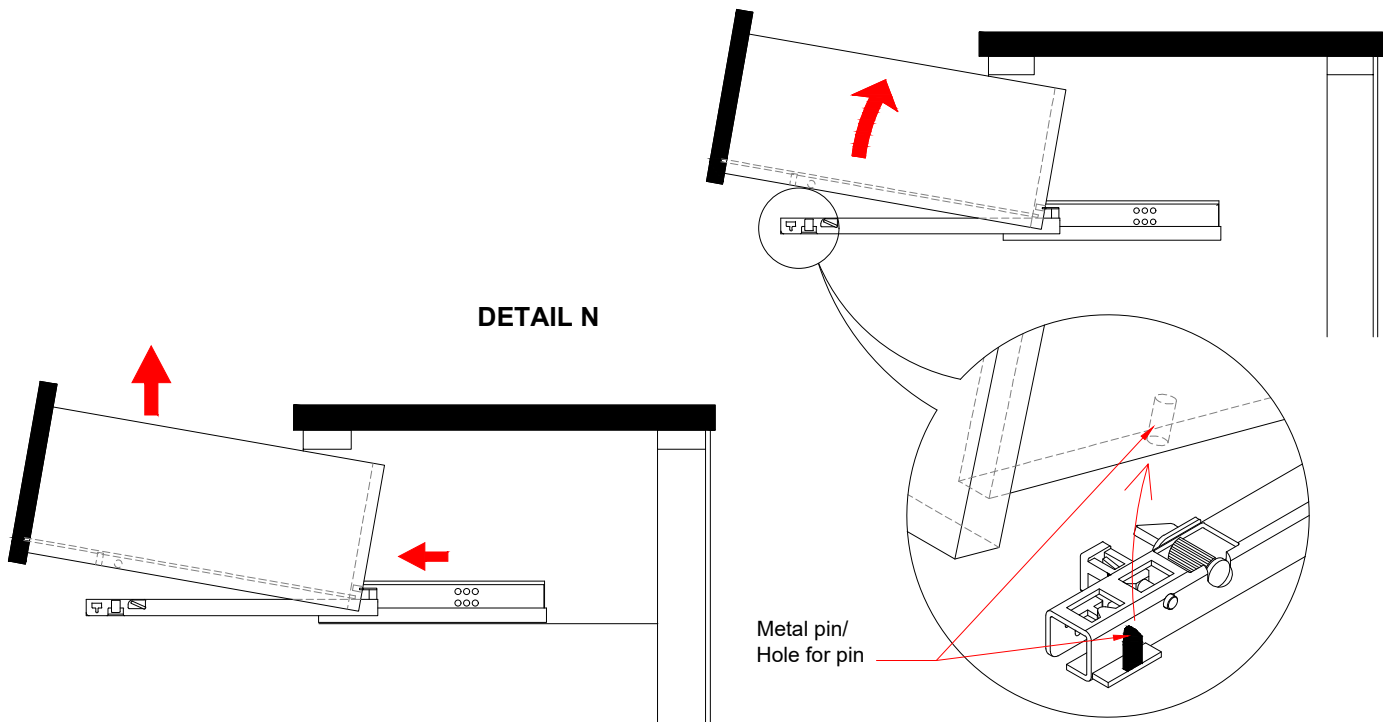
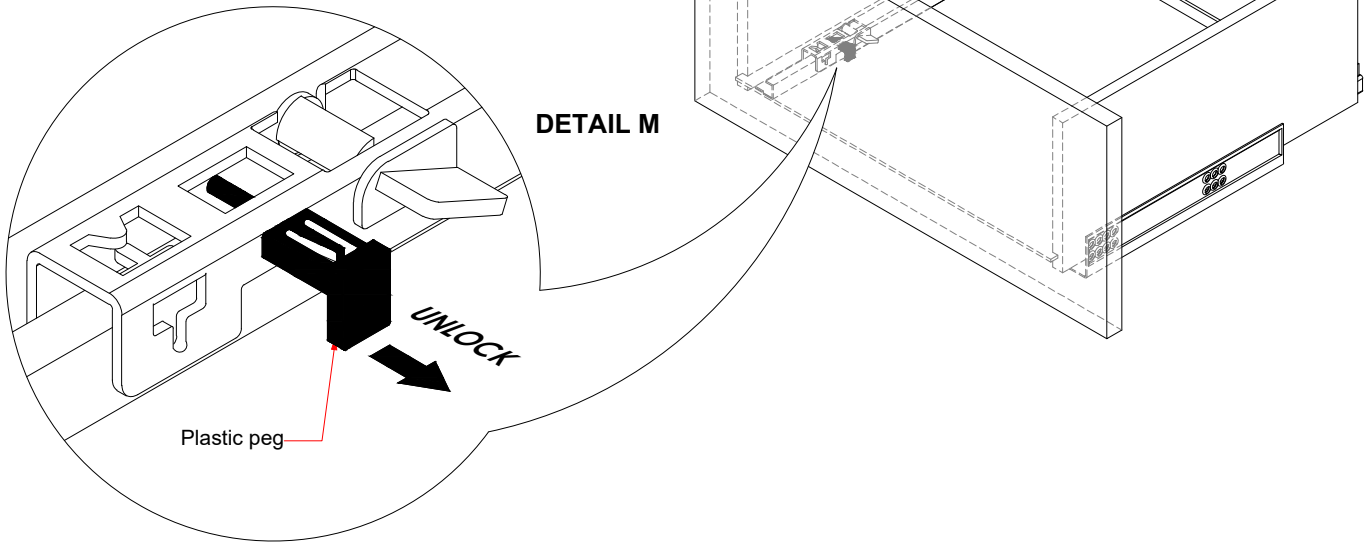
### DRAWER REMOVAL INSTRUCTION

#### STEP 7.1

Pull the drawer out. See at bottom side of drawer. Unlock the plastic peg by pulling black plastic peg on runner out. See **DETAIL M**.

#### STEP 7.2

Hold the drawer with both your hands. Carefully lift the drawer front up from the front metal pin, then slide drawer forward to remove from back hooks. See **DETAIL N**.



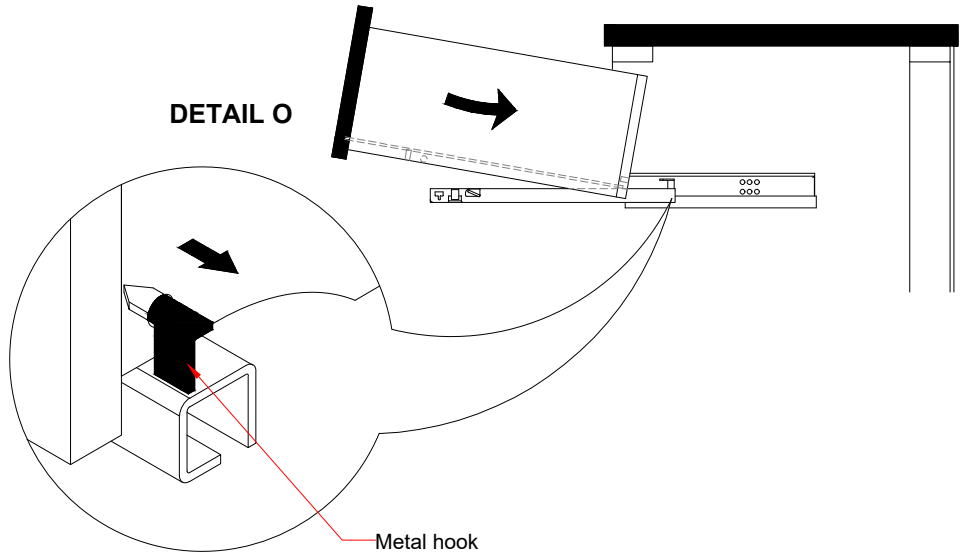
## STEP 8

### DRAWER ASSEMBLY INSTRUCTION

#### STEP 8.1

Pull the runner on the way out. Put the drawer onto them then hold both the runner with your hands. Lift the drawer up with your thumbs and push to hook the drawer at end of the runner. See **DETAIL O**.

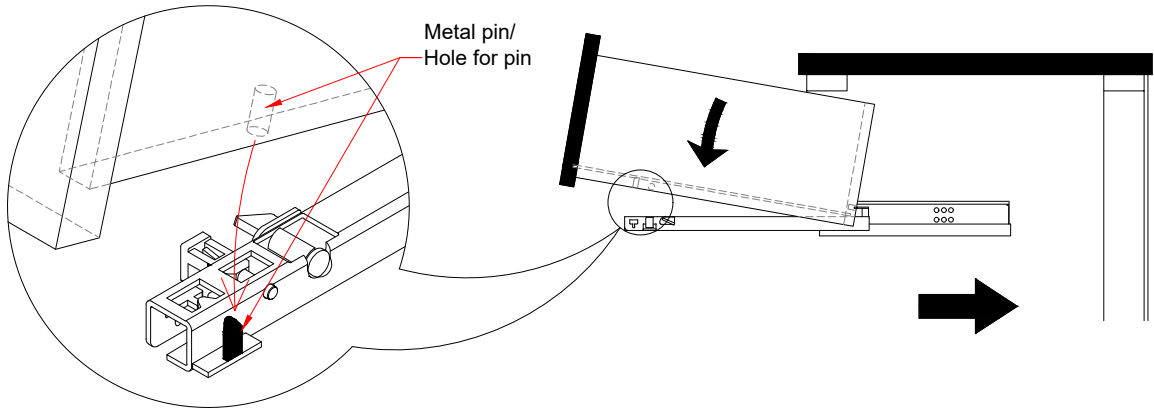
**DETAIL O**



#### STEP 8.2

Hold the drawer with both of your hands. Carefully lift the drawer front up from the front metal pin, then slide forward to remove from back hooks. See **DETAIL P**.

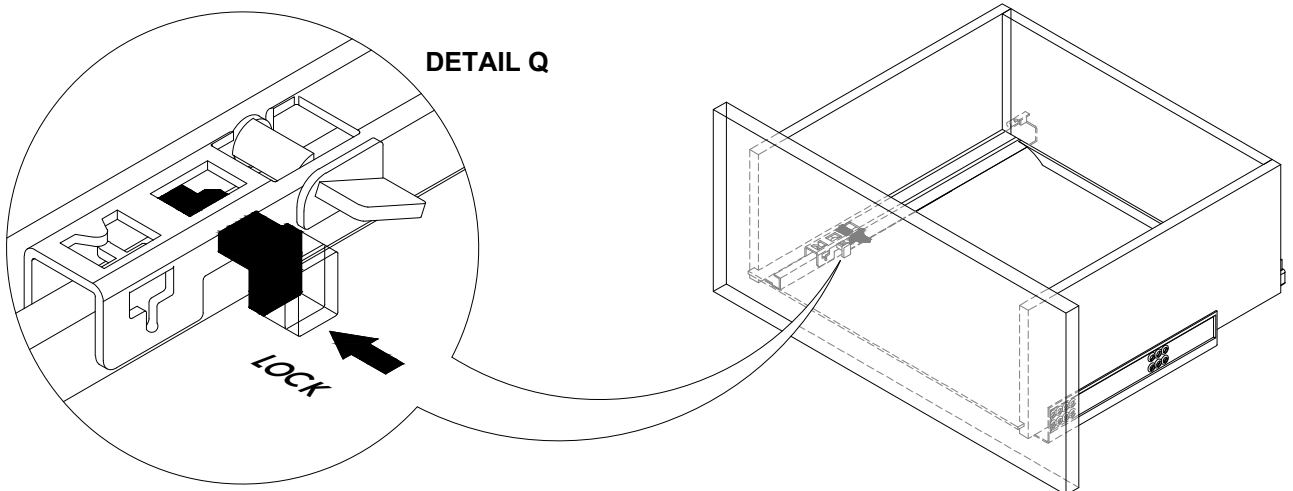
**DETAIL P**



#### STEP 8.3

Lock the drawer to the runner by pushing the black plastic peg on the runner in. See **DETAIL Q**.

**DETAIL Q**



## STEP 9

### DRAWER HIGH ADJUSTMENT INSTRUCTION

Adjust around gap of drawer by turn plastic button clockwise/counterclockwise direction. See **DETAIL R**.

