

COLE FRAMED HOUSE BED WITH TRUNDLE



WARNING: ADULT ASSEMBLY ONLY OWING TO THE PRESENCE OF SMALL PARTS, SHARP POINTS AND EDGES.

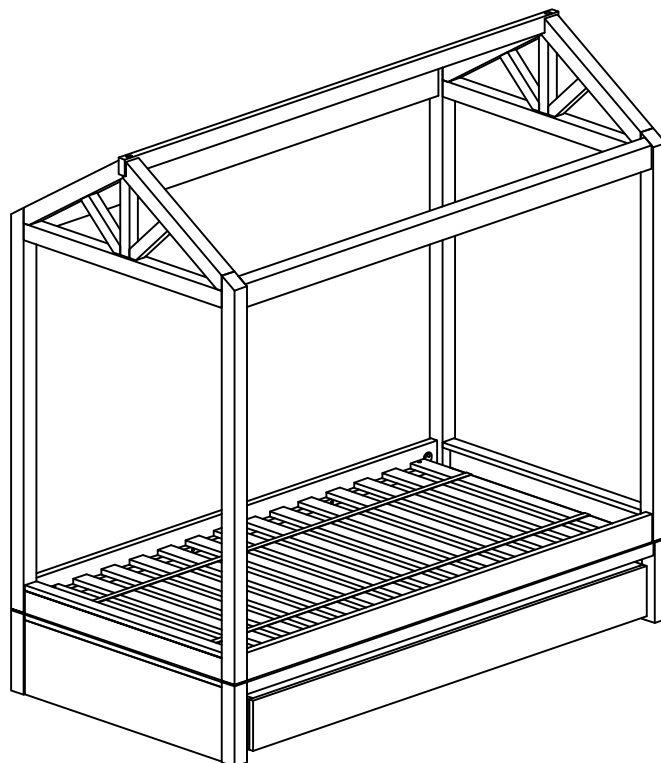
Customer Service - If you are missing parts or have any questions about this product, please contact us at :
1-800-762-1751.

CARE INSTRUCTIONS

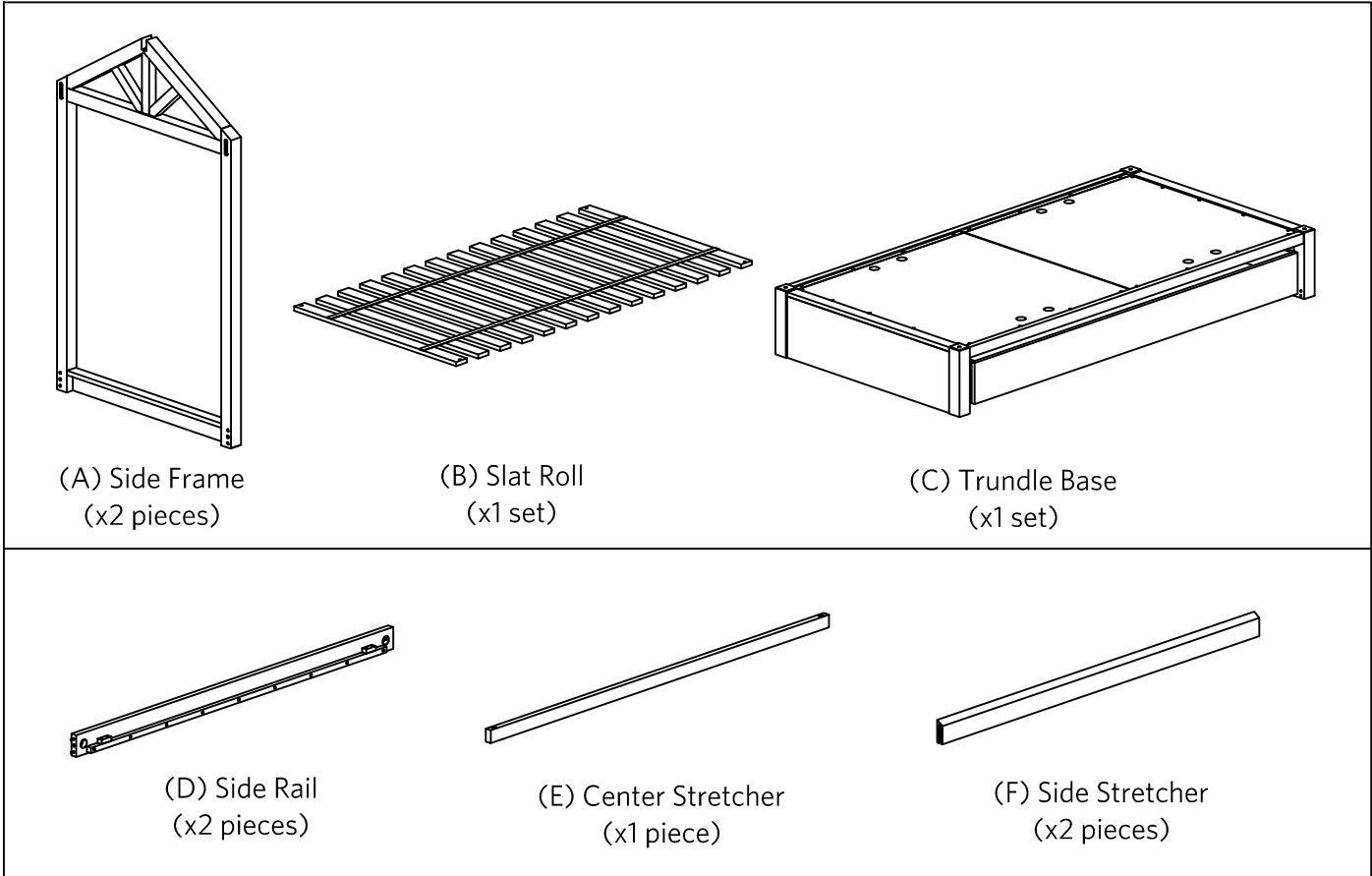
- Dust often using a clean, soft, dry lint-free cloth.
- Blot spills immediately, and wipe with a clean, damp cloth.
- We do not recommend the use of chemical cleansers, abrasives, or furniture polish on our lacquered finish.

Note:

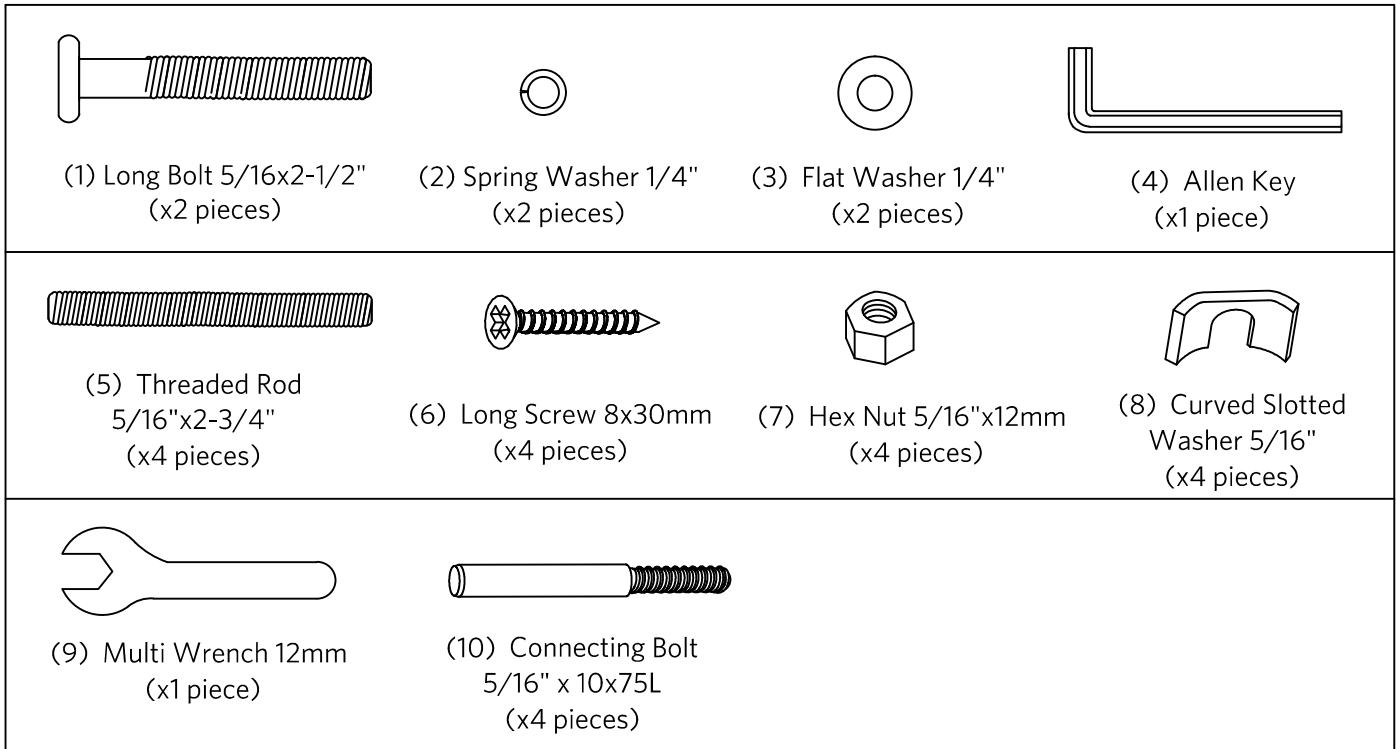
- **Bed must be assembled by at least two people.**
- **Please read instructions carefully before assembling bed.**
- **Use the above parts and fittings list to identify each component.**
- **Keep all packing materials until assembly is complete to avoid loss of smaller parts.**
- **Do not completely tighten all bolts until all steps are finished.**



Parts Identification



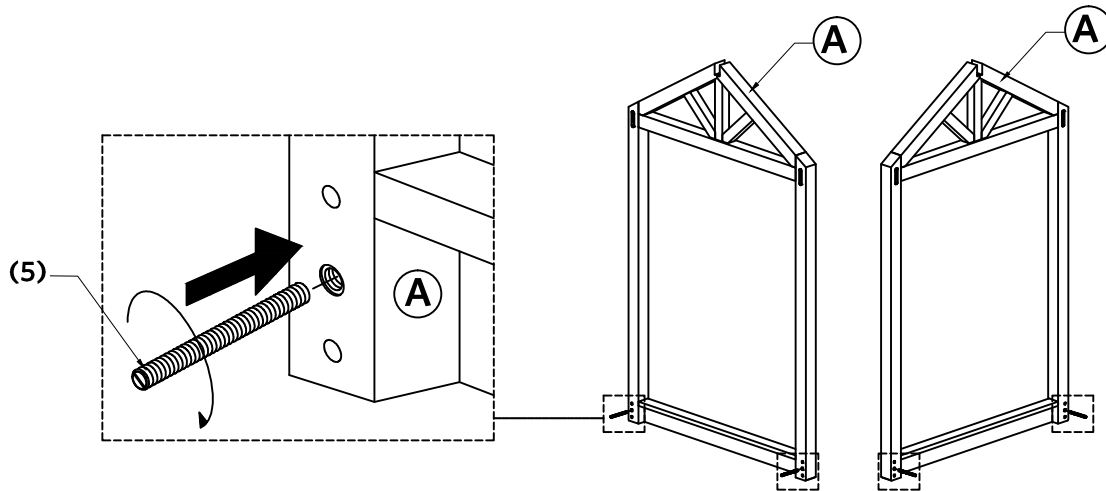
HARDWARE INCLUDED



ASSEMBLY INSTRUCTIONS

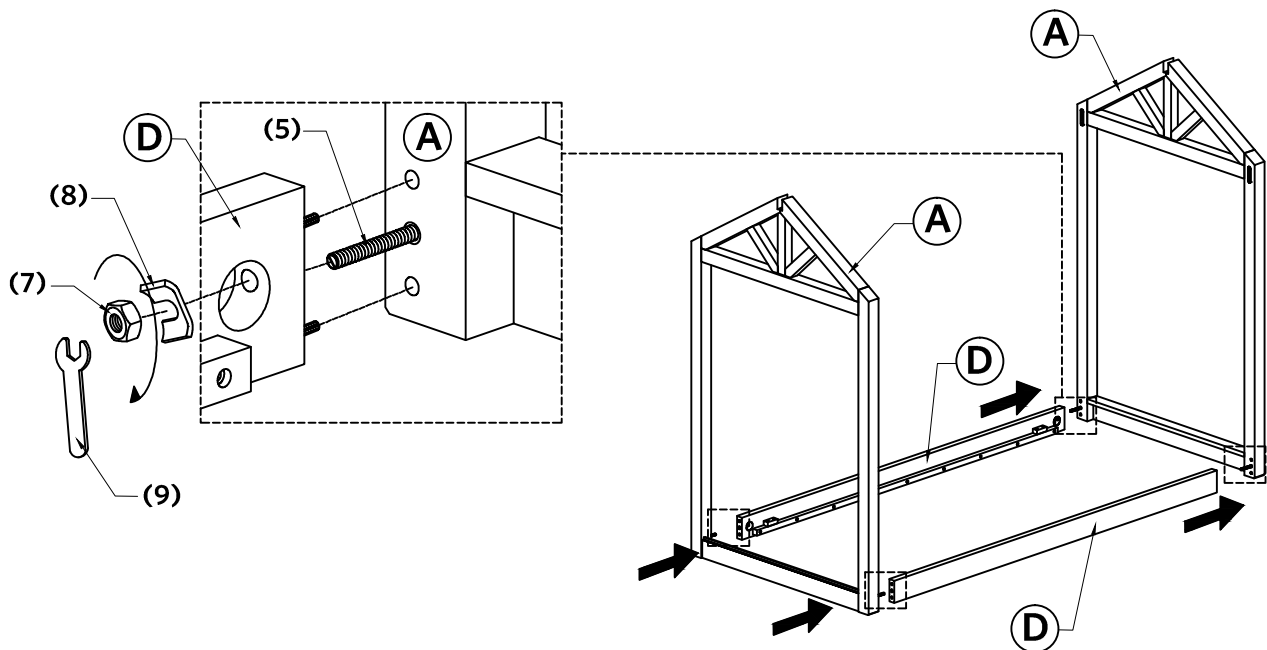
STEP 1

- Insert the Threaded Rods (5) into the posts of Side Frame (A).



STEP 2

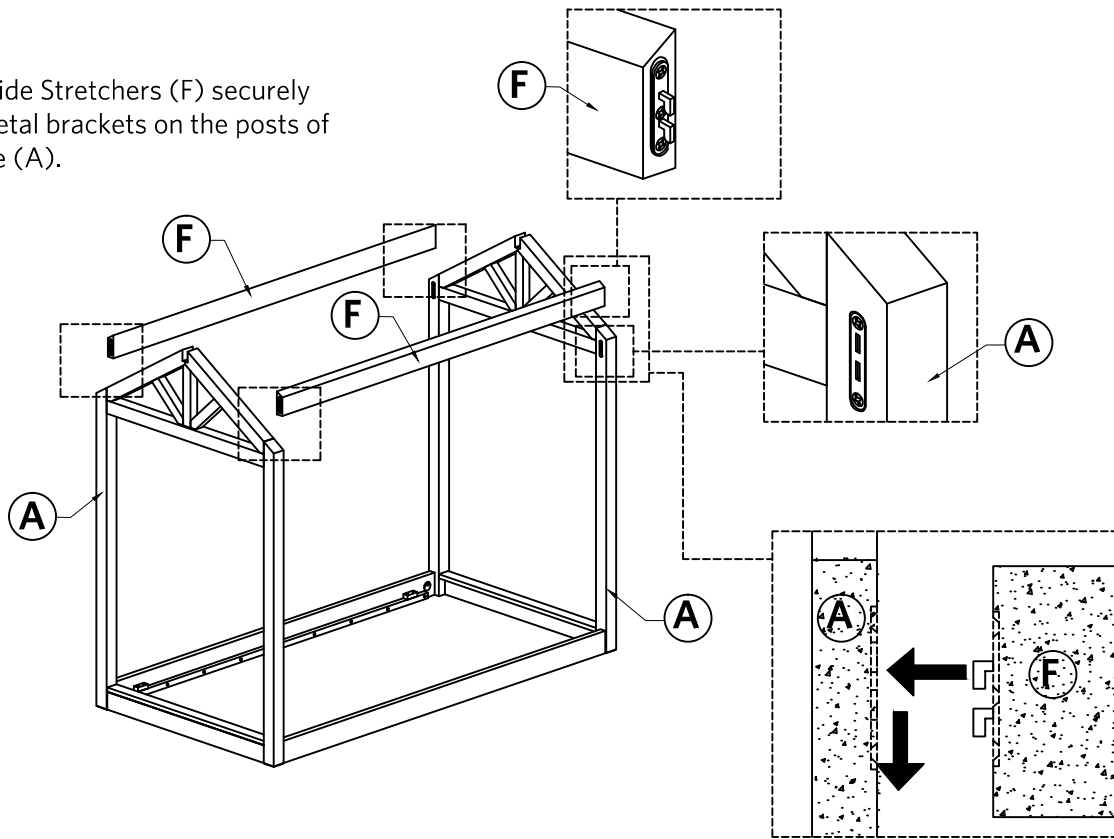
- Slide the Side Rails (D) onto the Side Frames (A).
- Insert Curved Slotted Washer (8), Hex Nut (7), and tighten with Multi Wrench (9).



ASSEMBLY INSTRUCTIONS

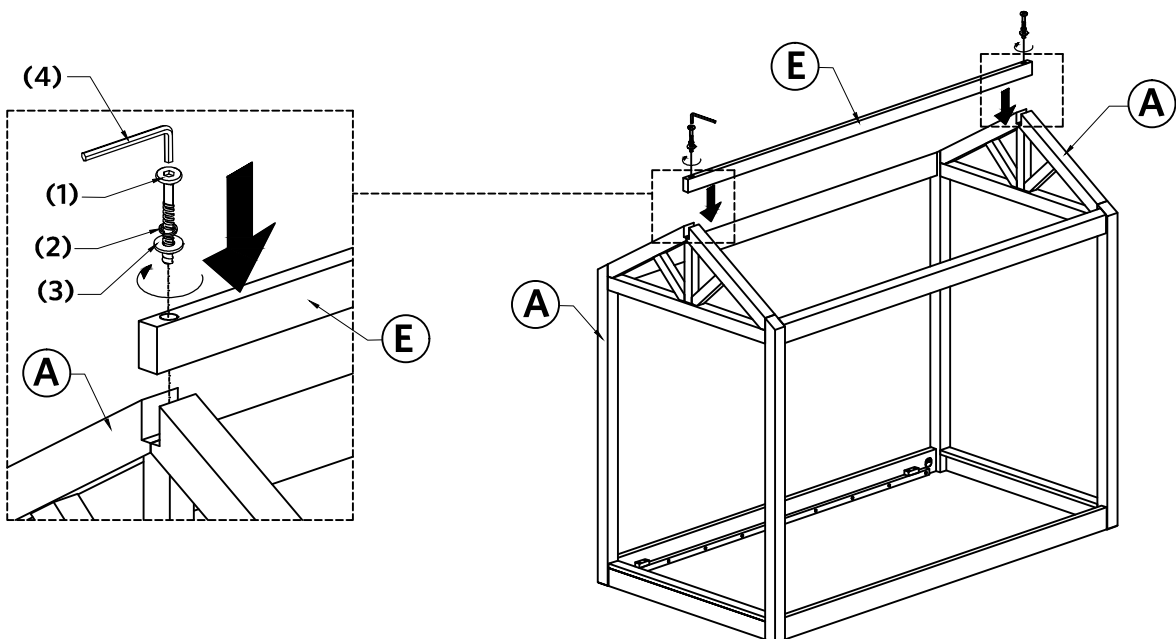
STEP 3

Slide the Side Stretchers (F) securely into the metal brackets on the posts of Side Frame (A).



STEP 4

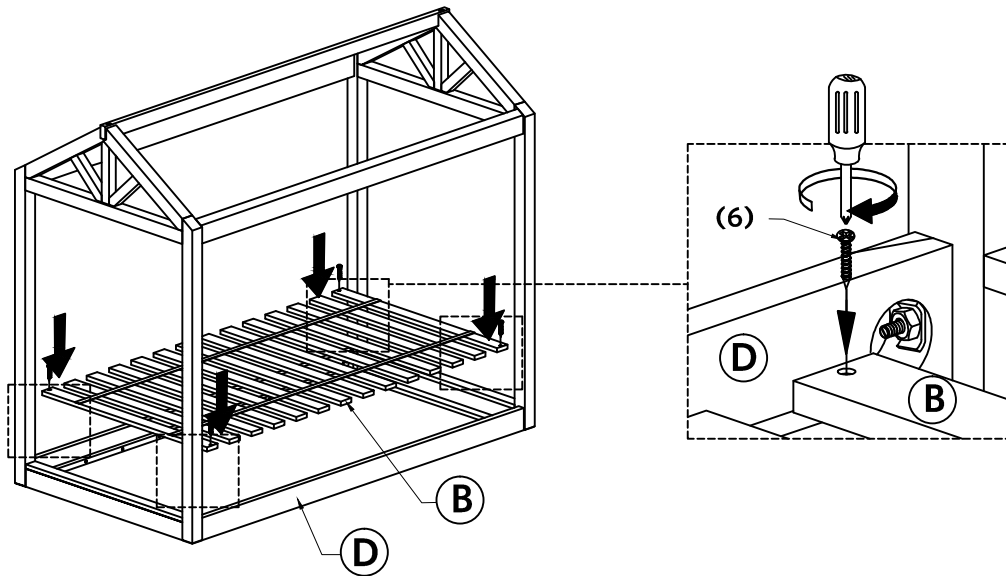
Insert the Center Stretcher (E) onto the top of Side Frame (A) by using Long Bolt (1), Spring Washer (2), Flat Washer (3) and Allen Key (4) to tighten.



ASSEMBLY INSTRUCTIONS

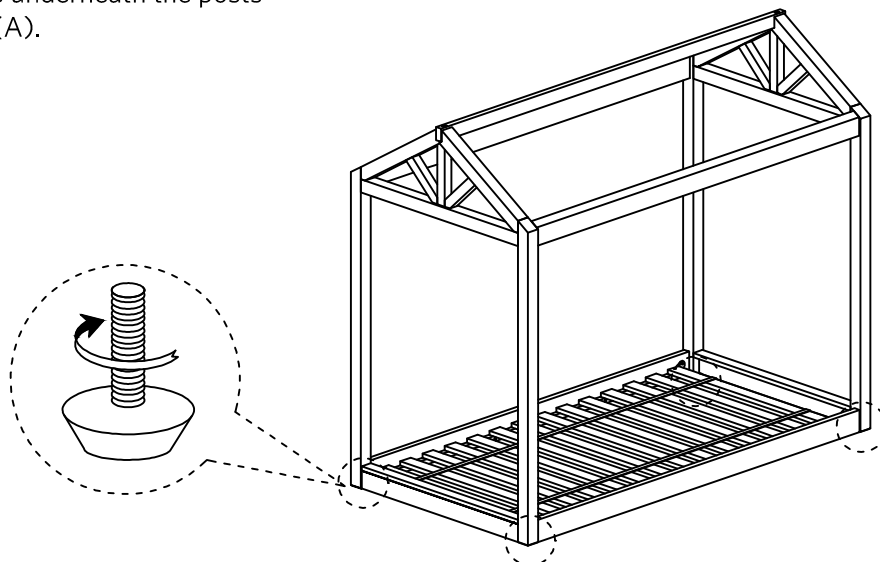
STEP 5

Lay the Slat Roll (B) between the Side rails (D) and attach using Screws (6) with Philips Head screwdriver (not included).



STEP 6

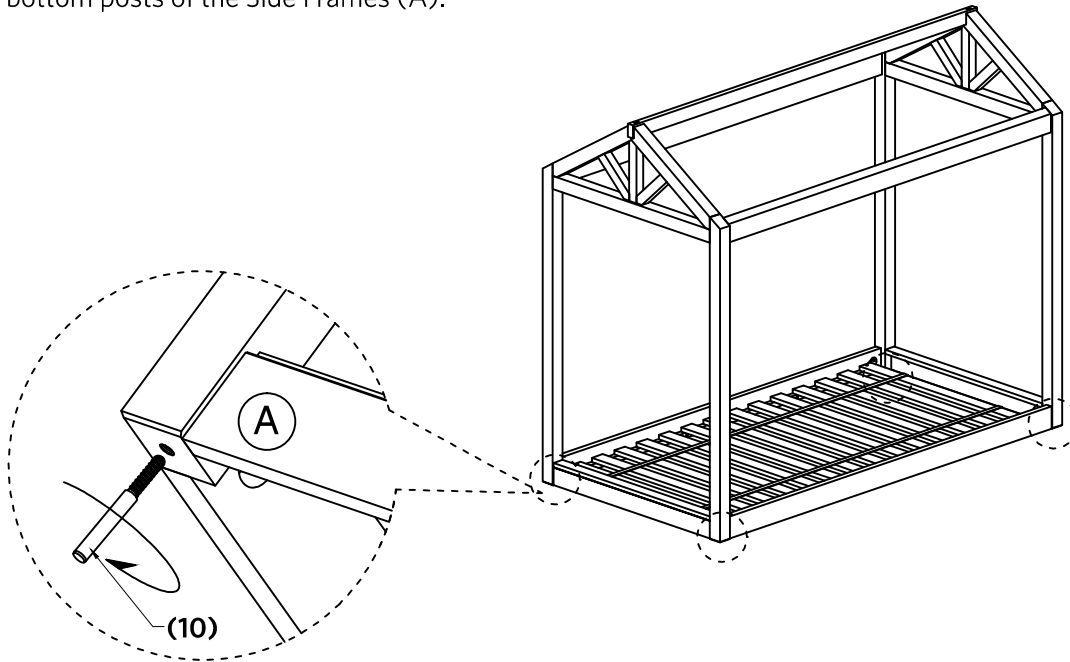
Remove the levelers underneath the posts of the Side Frames (A).



ASSEMBLY INSTRUCTIONS

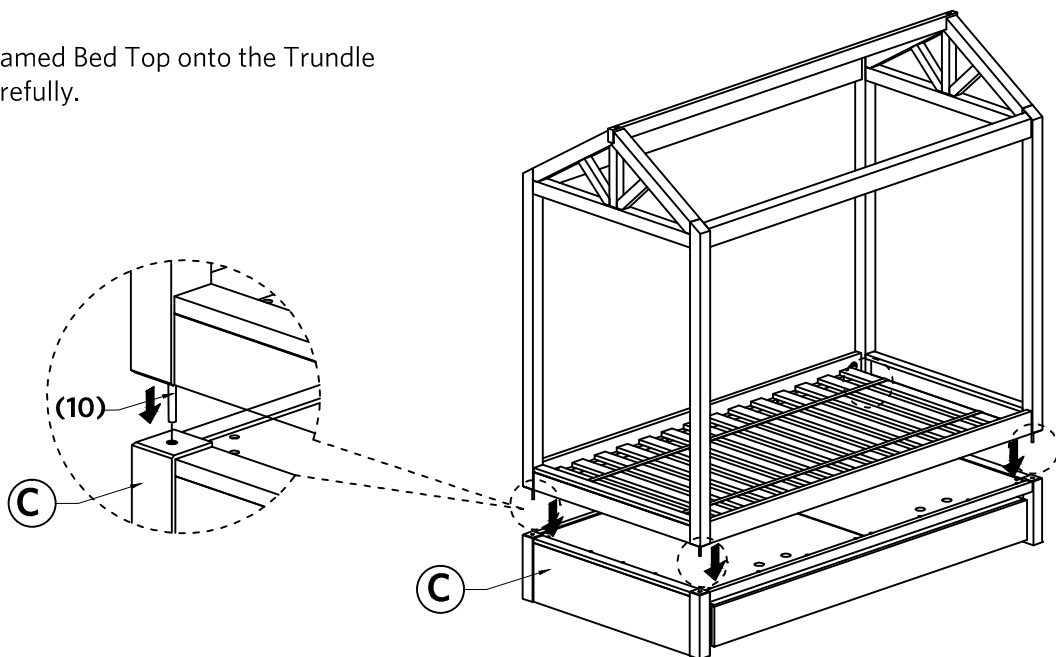
STEP 7

Insert Connecting Bolts (10) into the screw holes on the bottom posts of the Side Frames (A).



STEP 8

Place the Framed Bed Top onto the Trundle Base (C) carefully.



Thank you for your purchase
www.rhbabyandchild.com