

RHBABY&CHILD

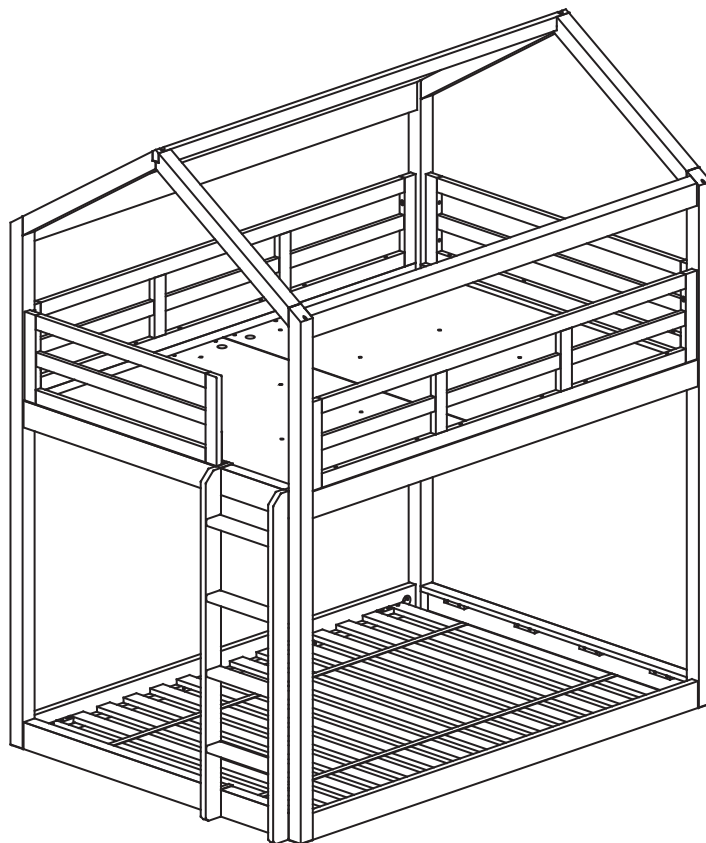
COLE TWIN/FULL BUNK BED – ASSEMBLY INSTRUCTIONS


Model No: 355 - 115/116

Made in Vietnam

Distributed in the U.S.A by:
RH Baby&Child
2900 N MACARTHUR DRIVE
TRACY, CA 95376
www.rhbabyandchild.com

Distributed in Canada by:
RH Canada, Inc.
1500-1055 West Georgia Street
Vancouver, British Columbia V6E4N7



 **WARNING:** Read all Instructions before assembling this product. KEEP INSTRUCTIONS FOR FUTURE USE.

CUSTOMER SERVICE

If you are missing parts or have any questions about this product, contact us first. You can also order parts by writing to the address above. Include the product model number, color, and a brief description of the part. Or call 1-800-762-1751.

CARE AND CLEANING

DO NOT scratch or chip the finish. DO NOT use abrasive chemicals for cleaning. If the crib is to be stored, store in a cool, dry place and carefully package all original hardware to protect from loss.

TOOLS AND INSTALLATION

Tools needed: Key Wrench (included).

Two people are recommended for assembly.

When inserting bolts, turn clockwise until tight. Then loosen 1/2-3/4 of a turn. After bed is completely assembled, return to each bolt and tighten.

RH BABY & CHILD

COLE TWIN/FULL BUNK BED – ASSEMBLY INSTRUCTIONS Model No: 355 - 115/116

IMPORTANT SAFETY INFORMATION FOR BUNK BED

1. Follow the information on the WARNINGS appearing on the upper bunk end structure and on the carton. **DO NOT REMOVE WARNING LABEL FROM BED.**
2. Always use the specified size mattress or mattress support, or both to help prevent the likelihood of entrapment or falls.
3. Surface of mattress must be at least 5 inches below the upper edge of guardrails on top bunk.
4. Do not allow children under 6 years of age to use the upper bunk.
5. Prohibit more than one person on upper bunk.
6. Periodically check and ensure that the guardrails, ladder, and other components are in their proper position, free from damage, and that all connectors are tight.
7. Do not allow horseplay on or under the bed and prohibit jumping on the bed.
8. Always use the ladder for entering and leaving the upper bunk.
9. Do not use substitute parts. Contact Restoration Hardware for replacement parts
10. Use of a night light may provide added safety precaution for a child using the upper bunk.
11. Use guardrails on both sides of the upper bunk.
12. If the bunk bed will be placed next to a wall, the guardrail that runs the full length of the bed should be placed against the wall to prevent entrapment between the bed and the wall.
13. The use of water flotation mattresses is prohibited.
14. **STRANGULATION HAZARD** - Never attach or hang items to any part of the bunk bed that are not designed for use with the bed: for example, but not limited to, hooks, belts, and jump ropes.
15. Keep these instructions for future reference.



WARNING

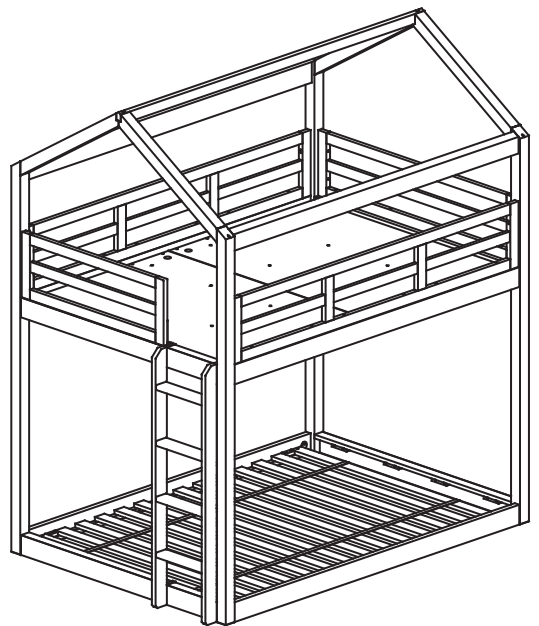
TO HELP PREVENT SERIOUS OR FATAL INJURIES FROM ENTRAPMENT OR FALLS

1. Never allow a child under 6 years on upper bunk.
2. - If bunk is Twin/Twin:
Use only mattress which is 75" long and 38" wide and 7" height on upper bunk, and mattress which is 75" long and 38" wide and 10" height on lower bunk.
- If bunk is Full/Full:
Use only mattress which is 75" long and 53" wide and 7" height on upper bunk, and mattress which is 75" long and 53" wide and 10" height on lower bunk.
3. Ensure thickness of mattress does not exceed 7" and mattress surface is at least 5 inches below upper edge of guardrails. Thickness for lower bunk is 10" high.
4. Use guardrails on both sides of upper bunk.
5. Prohibit horseplay on or under bed(s).
6. Prohibit more than one person on upper bunk.
7. Use ladder for entering and leaving upper bunk.
8. If the bunk bed will be placed next to a wall the guardrails that run the full length of the bed should be placed against the wall to prevent entrapment between the bed and the wall.

STRANGULATION HAZARD

9. Never attach or hang items to any part of the bunk bed that are not designed for use with the bed, for example, but not limited to, hooks, belts, and jump ropes.

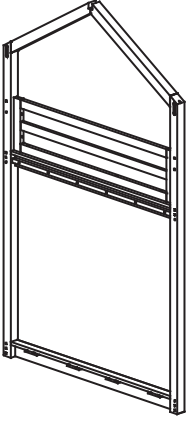
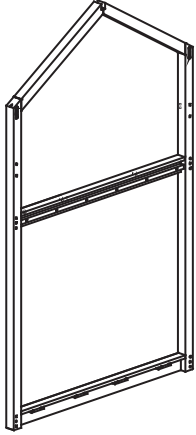
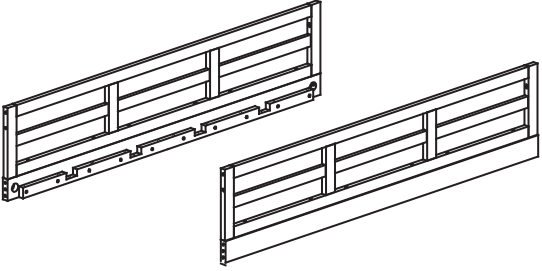
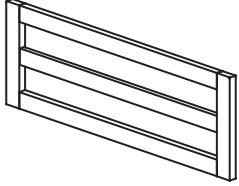
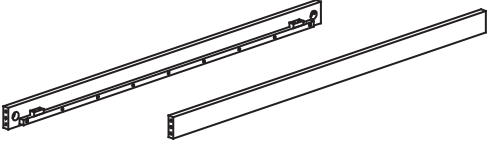
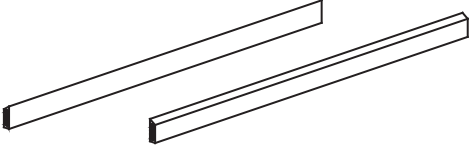
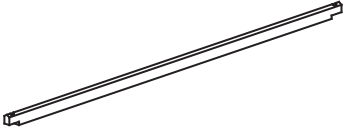
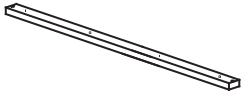
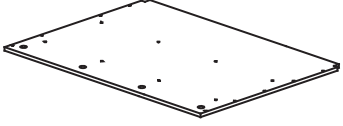
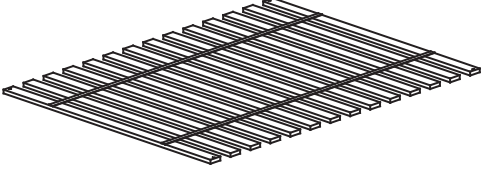
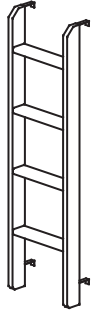
DO NOT REMOVE THIS LABEL



RHBABY&CHILD

COLE TWIN/FULL BUNK BED – ASSEMBLY INSTRUCTIONS Model No: 355 - 115/116

PARTS IDENTIFICATION



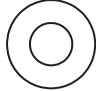

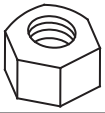


 <p>(A) Headboard (x1 piece)</p>	 <p>(B) Footboard (x1 piece)</p>	
 <p>(C) Long Side Guard Rails (x2 pieces)</p>	 <p>(D) Short Side Guard Rail (x1 piece)</p>	
 <p>(E) Bottom Side Rails (x2 pieces)</p>	 <p>(F) Side Stretcher (x2 pieces)</p>	
 <p>(G) Center Stretcher (x1 piece)</p>	 <p>(H) Stretcher Bars (x4 pieces)</p>	
 <p>(I) Top Platform Panels (x2 pieces)</p>	 <p>(J) Slat Roll (x1 set)</p>	 <p>(K) Ladder (x1 piece)</p>

RHBABY&CHILD

COLE TWIN/FULL BUNK BED – ASSEMBLY INSTRUCTIONS

Model No: 355 - 115/116

HARDWARE INCLUDED

NO.	ITEM	DESCRIPTION	QTY.
1		Medium Bolt 5/16x2"	2 pieces
2		Spring Washer 5/16"	6 pieces
3		Flat Washer 5/16"	6 pieces
4		Threaded Rod 5/16" x 3"	8 pieces
5		Curved Slotted Washer 35 x 16 x 12 x 3mm	8 pieces
6		Hex Nut 5/16" x 12mm	8 pieces
7		Long Bolt 5/16" x 2-3/4"	4 pieces
8		Long Screw 8 x 30mm	48 pieces
9		Short Screw 8 x 19mm	12 pieces
10		Key Wrench 4mm	1 piece
11		Multi Wrench 12mm	1 piece
12		Small Bolt 1/4" x 3/4"	1 piece
13		V Metal Bracket	1 piece
14		Extra Wood Screw 7 x 35mm	6 pieces
15		Extra Metal Bracket	2 pieces

RH BABY & CHILD

COLE TWIN/FULL BUNK BED – ASSEMBLY INSTRUCTIONS

Model No: 355 - 115/116

TOOLS NEEDED



Phillips-head screwdriver (not included)

ASSEMBLY INSTRUCTIONS

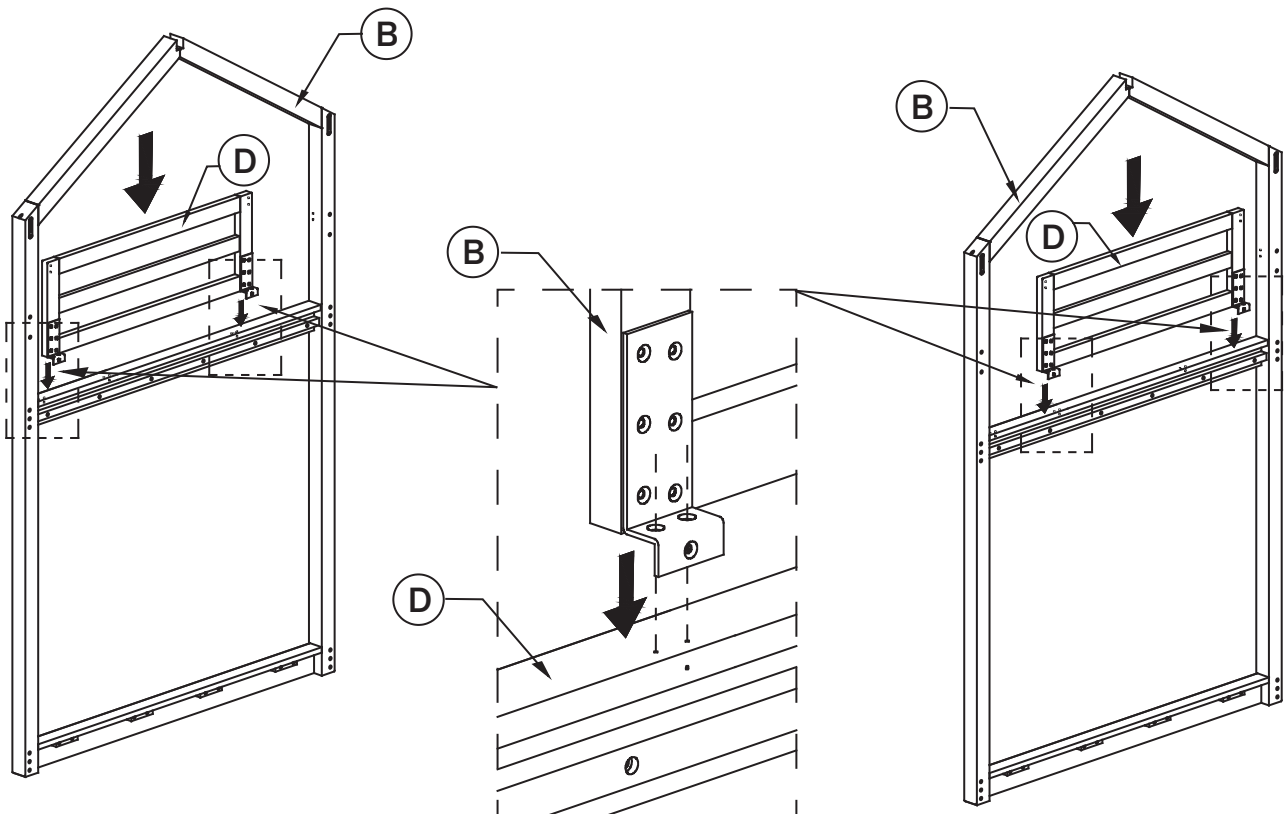
Note: - Bed must be assembled by at least two people.

- Please read instructions carefully before assembling bed.
- Use the above parts and fittings list to identify each component.
- Keep all packing materials until assembly is complete to avoid loss of smaller parts.
- Do not completely tighten all bolts until all steps are finished.

STEP 1:

Note:

- Short Side Guard Rail (D) can be attached to left or right of the footboard, depending on where you would like the Ladder (K) to be positioned.
- Open end of Short Side Guard Rail (D) must be positioned against Footboard (B), and closed end of Short Side Guard Rail (D) must be positioned against Ladder (K).

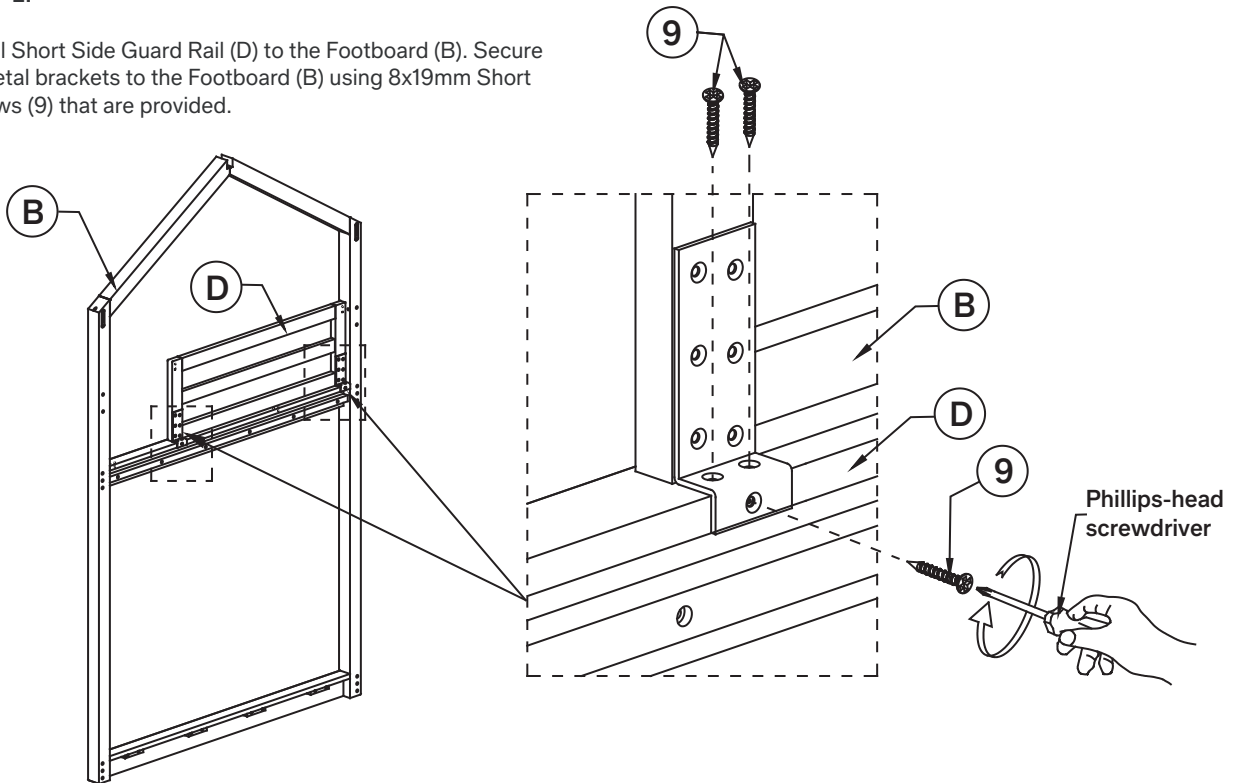


RHBABY&CHILD

COLE TWIN/FULL BUNK BED – ASSEMBLY INSTRUCTIONS Model No: 355 - 115/116

STEP 2:

Install Short Side Guard Rail (D) to the Footboard (B). Secure all metal brackets to the Footboard (B) using 8x19mm Short Screws (9) that are provided.

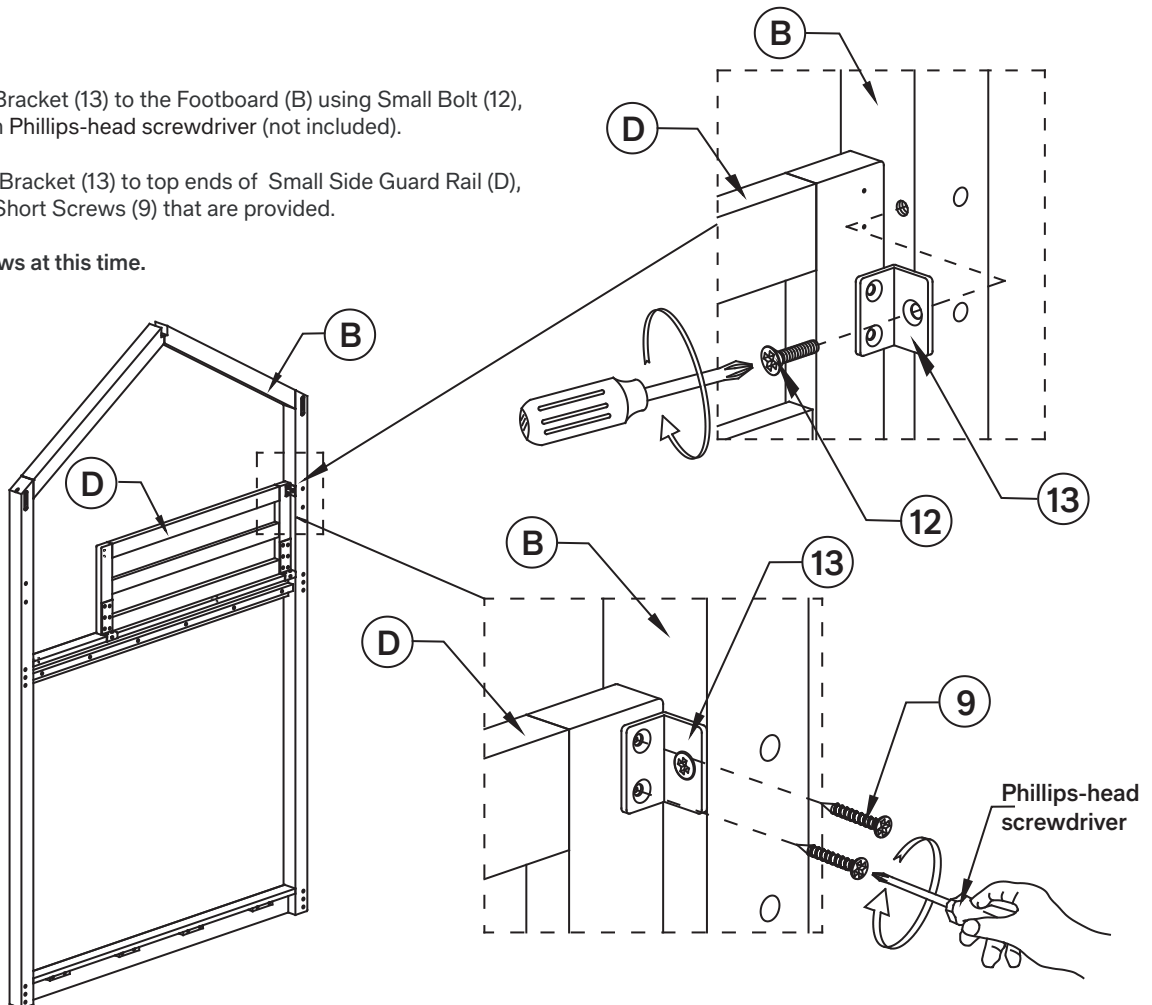


STEP 3:

Install V-Metal Bracket (13) to the Footboard (B) using Small Bolt (12), and tighten with Phillips-head screwdriver (not included).

Attach V-Metal Bracket (13) to top ends of Small Side Guard Rail (D), using 8x19mm Short Screws (9) that are provided.

Tighten all screws at this time.



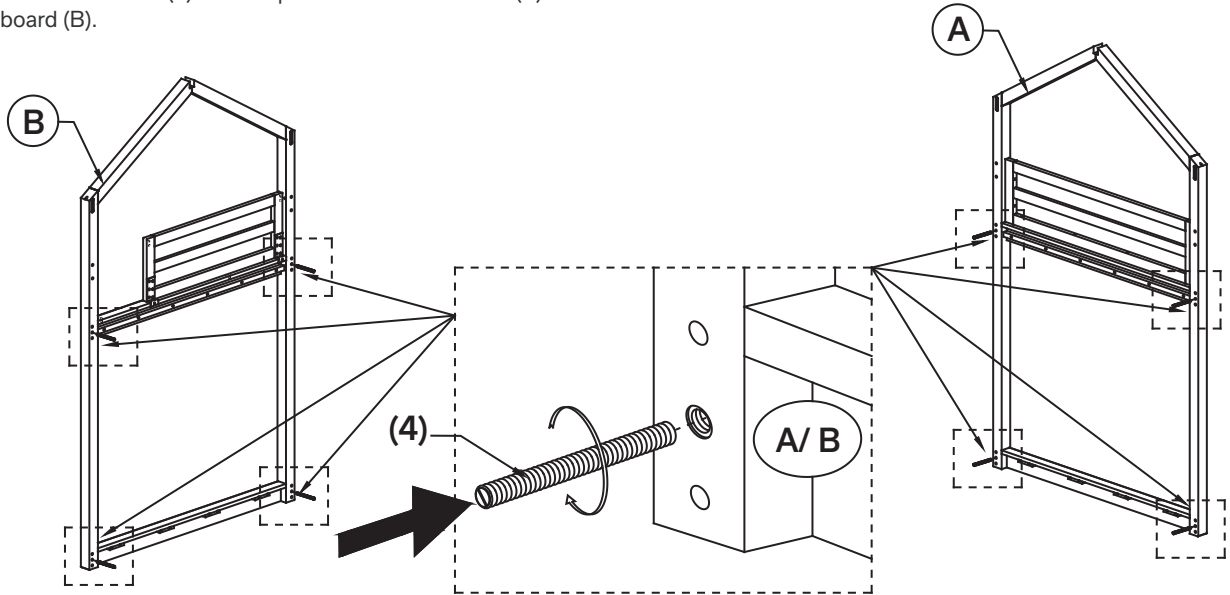
RH BABY & CHILD

COLE TWIN/FULL BUNK BED – ASSEMBLY INSTRUCTIONS

Model No: 355 - 115/116

STEP 4:

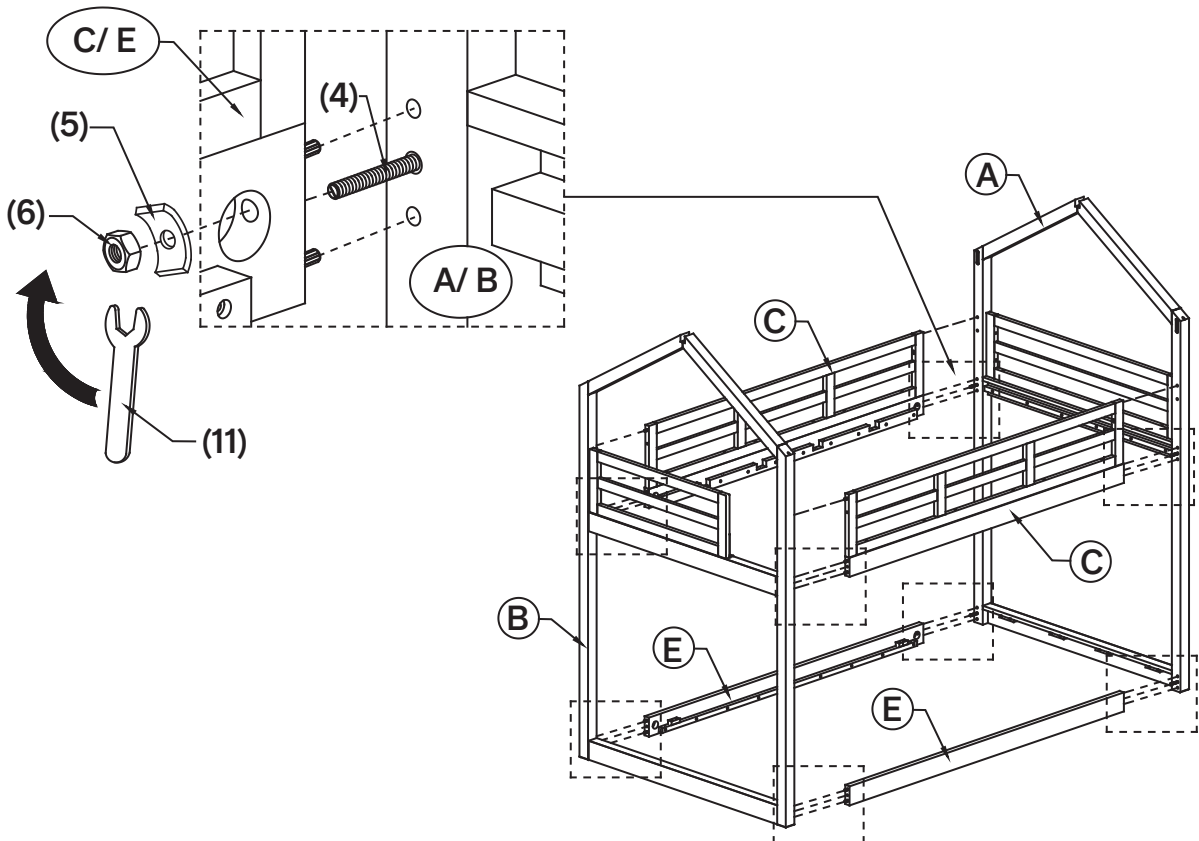
Insert the Threaded Rods (4) into the posts of the Headboard (A) and Footboard (B).



STEP 5:

Slide the Long Side Guard Rails (C) and Bottom Side Rails (E) to the Headboard (A) and Footboard (B). Insert Curved Slotted Washers (5), and Hex Nut (6), and tighten with Multi Wrench (11).

NOTE: DO NOT TIGHTEN BOLTS AT THIS TIME.

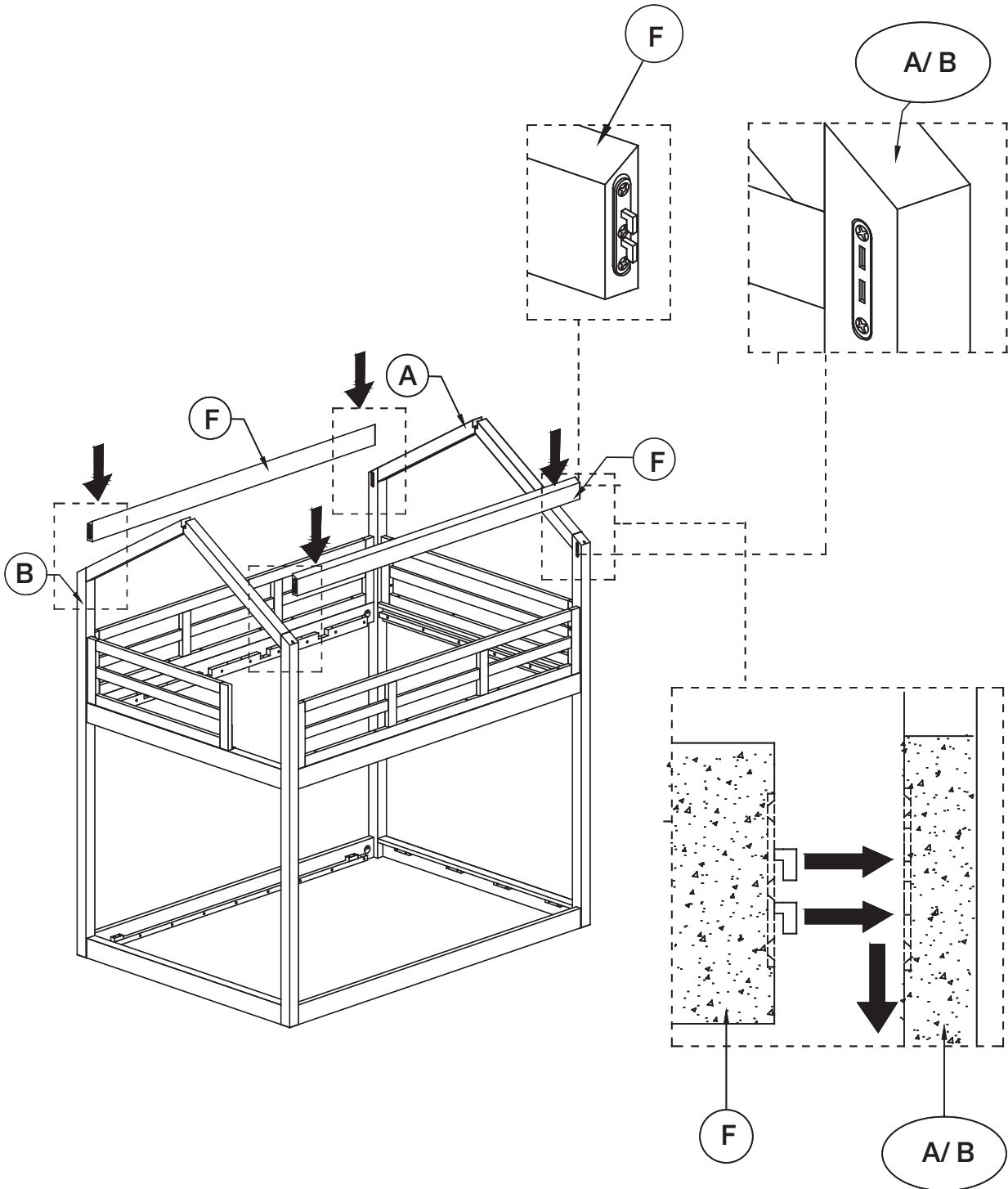


RHBABY&CHILD

COLE TWIN/FULL BUNK BED – ASSEMBLY INSTRUCTIONS Model No: 355 - 115/116

STEP 6:

Slide the Side Stretchers (F) securely into the metal brackets on the posts of the Headboard (A) and Footboard (B).



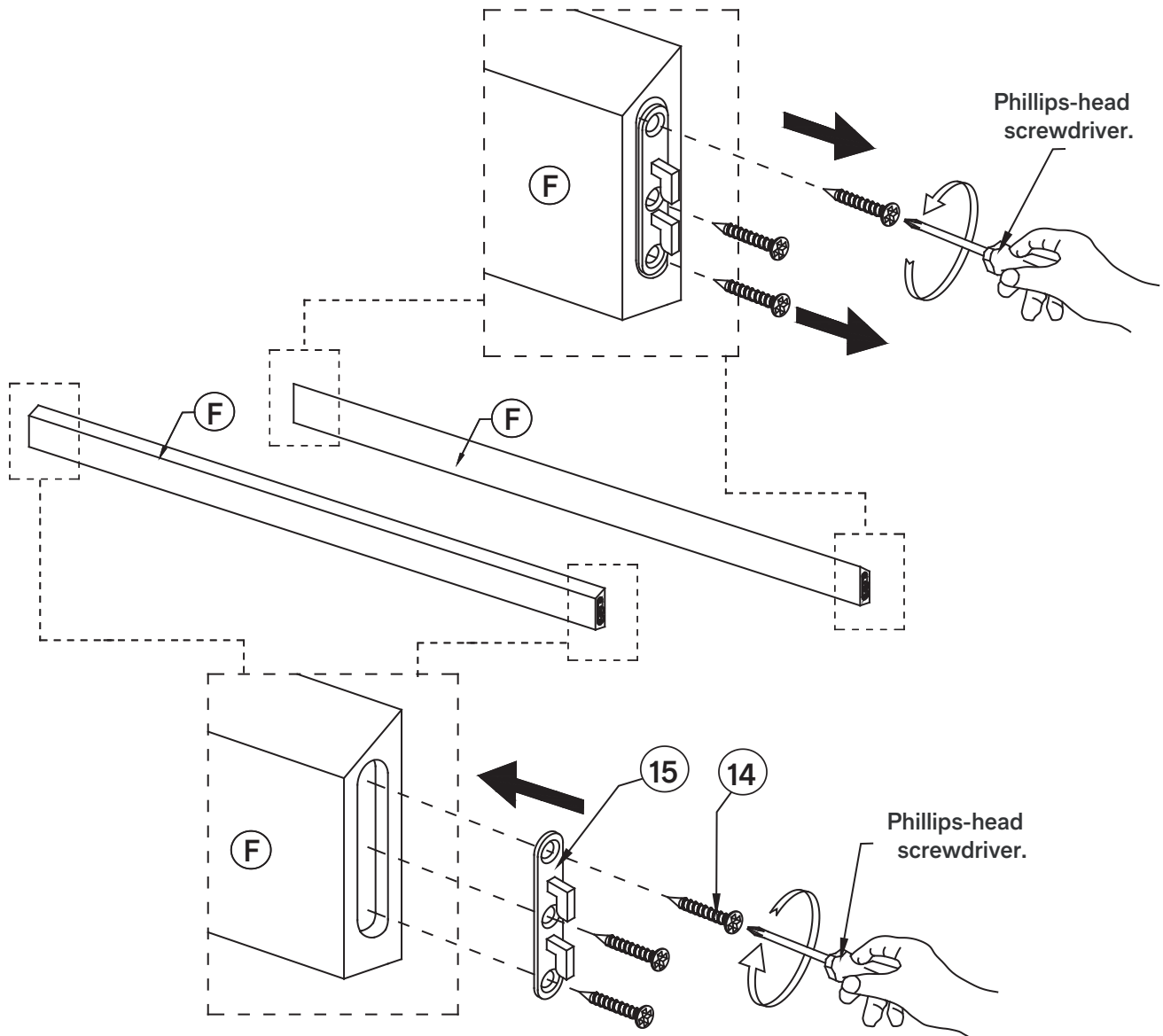
RH BABY & CHILD

COLE TWIN/FULL BUNK BED – ASSEMBLY INSTRUCTIONS Model No: 355 - 115/116

INSTRUCTIONS TO REPLACE METAL BRACKETS IF NEEDED:

If the metal bracket malfunctions or becomes damaged, please replace it with an extra metal bracket.

Unscrew the wooden screws with a Phillips head screwdriver, then remove the damaged Metal Bracket.



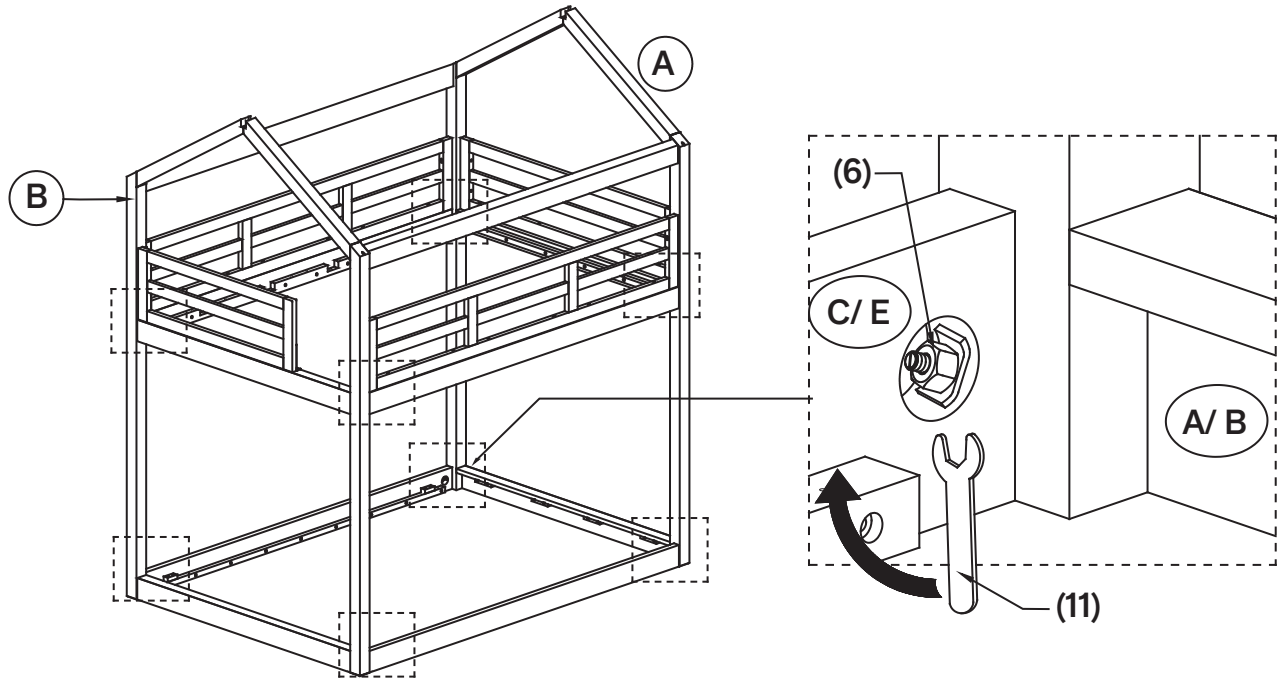
Install the new Metal Bracket (15) to the top of Side Stretcher (F) using new Wood Screws (14).
Tighten the screws with a Phillips head screwdriver.

RHBABY&CHILD

COLE TWIN/FULL BUNK BED – ASSEMBLY INSTRUCTIONS Model No: 355 - 115/116

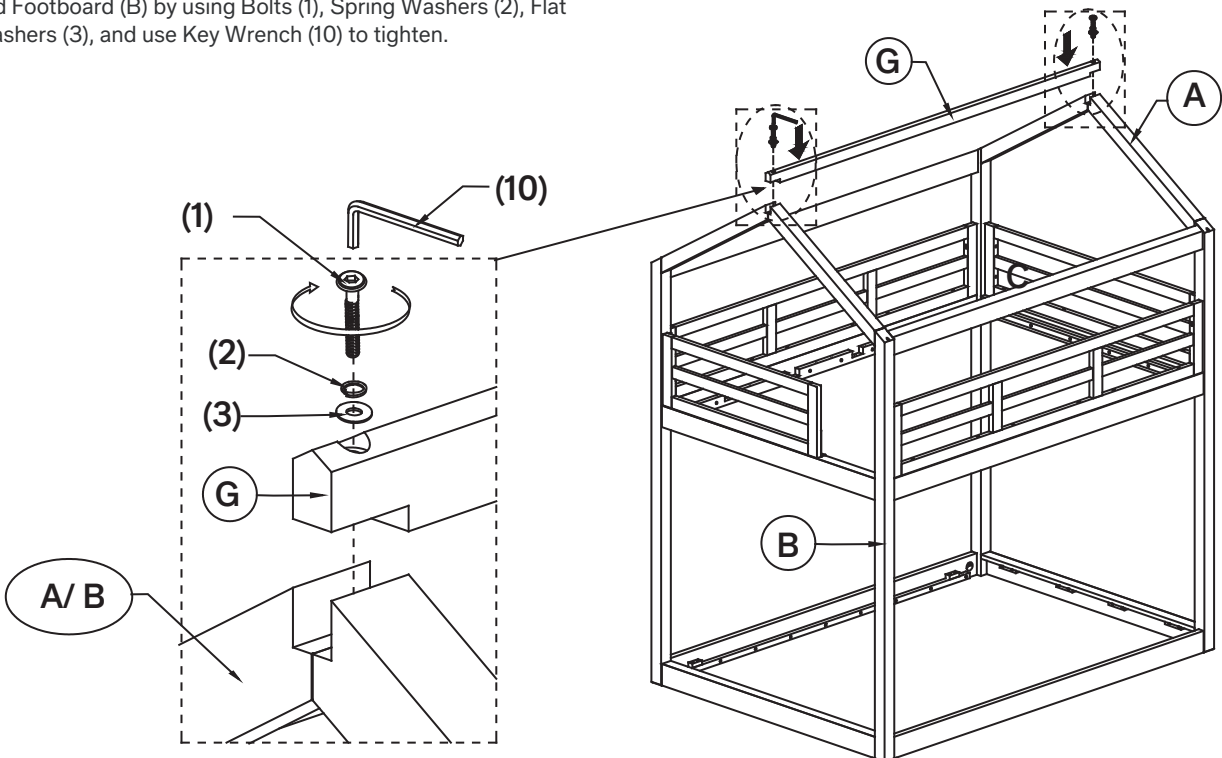
STEP 7:

Once canopy is installed , return to base and tighten all bolts.



STEP 8:

Insert the Center Stretcher (G) onto the top of Headboard (A) and Footboard (B) by using Bolts (1), Spring Washers (2), Flat Washers (3), and use Key Wrench (10) to tighten.

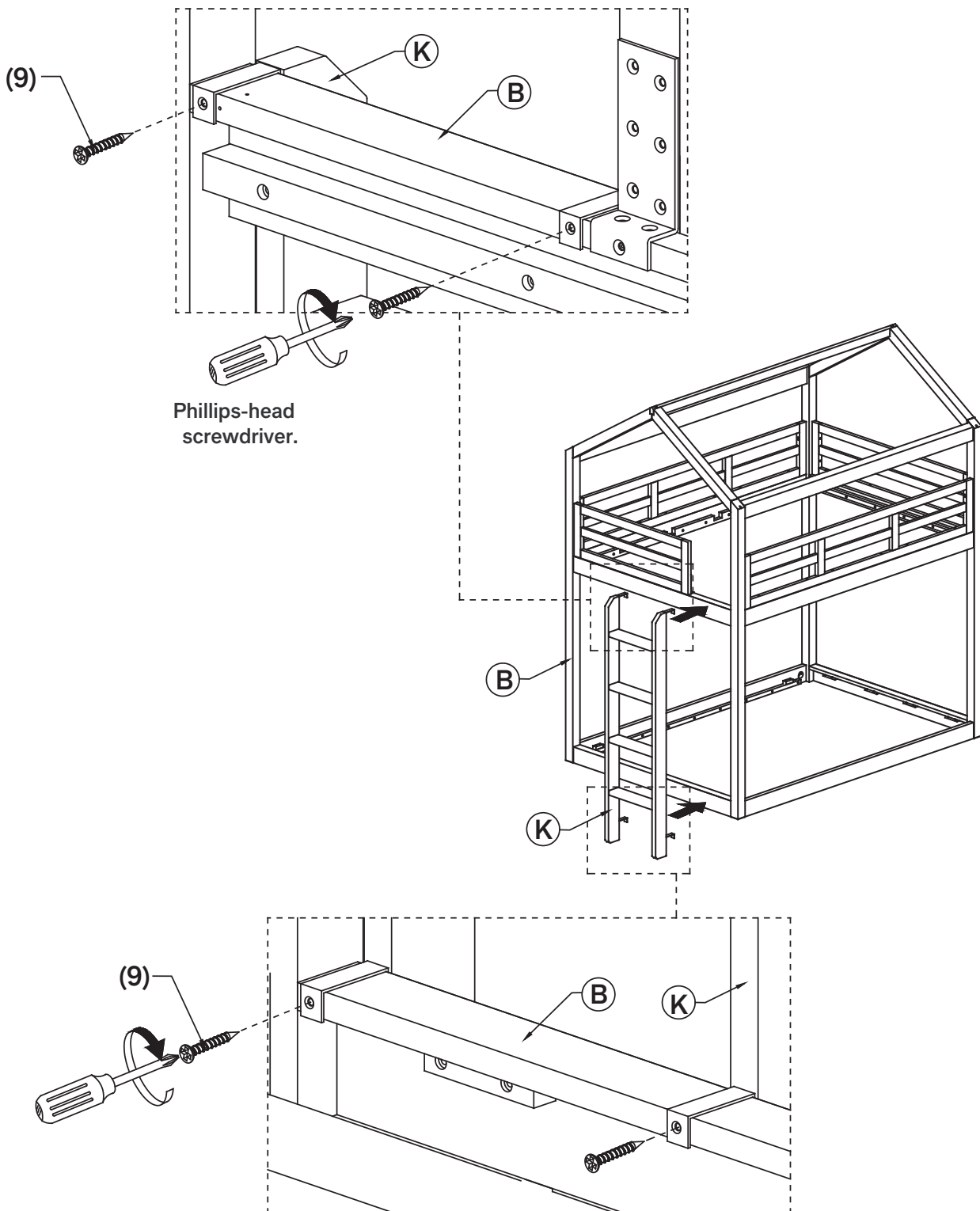


RH BABY & CHILD

COLE TWIN/FULL BUNK BED – ASSEMBLY INSTRUCTIONS Model No: 355 - 115/116

STEP 9:

Position the Ladder (K) in the opening between the Footboard (B). Hook the Ladder (K) over the top and bottom side rail. Then tighten using Short Screws (9) and Phillips-head screwdriver.



RHBABY&CHILD

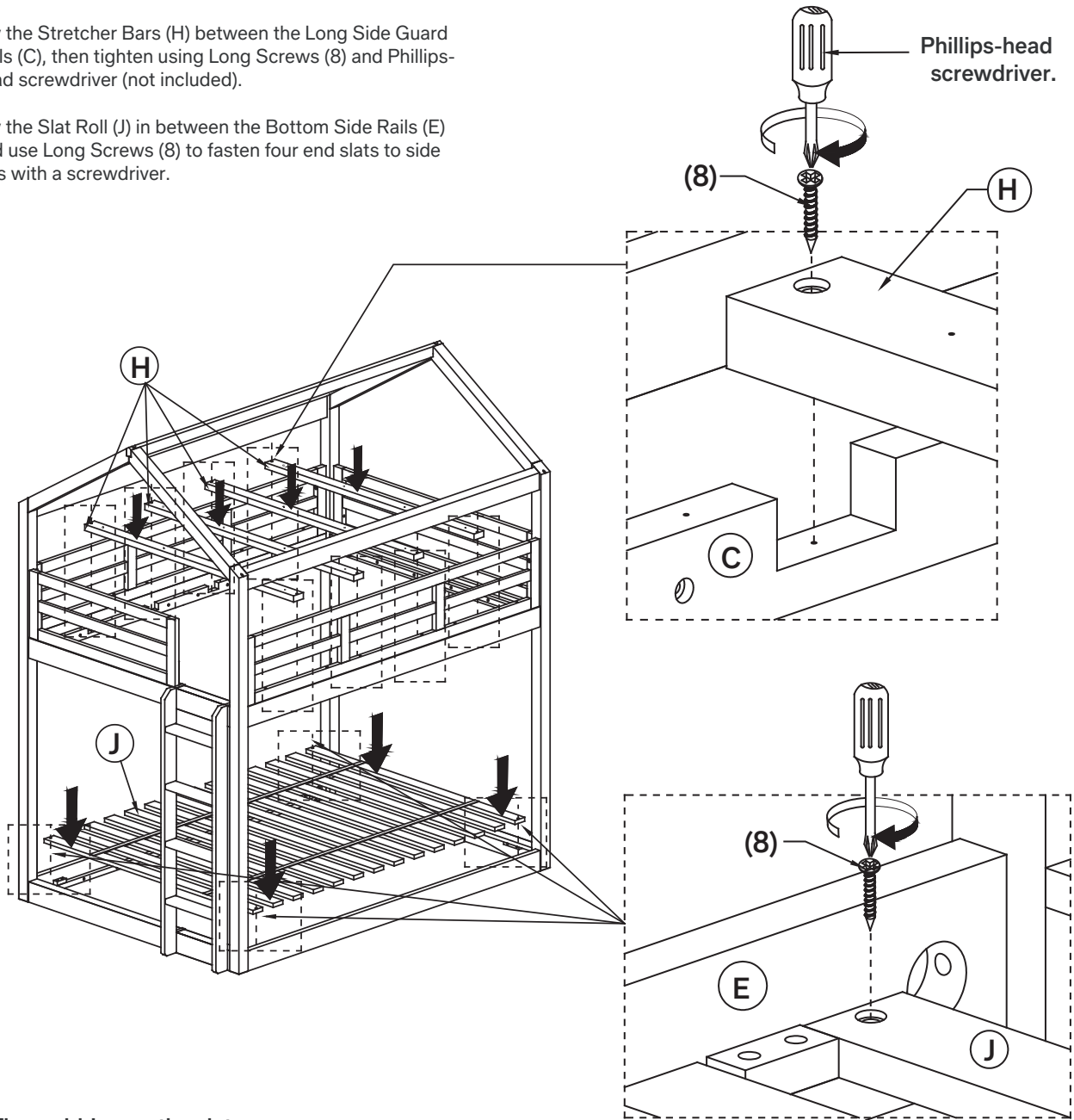
COLE TWIN/FULL BUNK BED – ASSEMBLY INSTRUCTIONS

Model No: 355 - 115/116

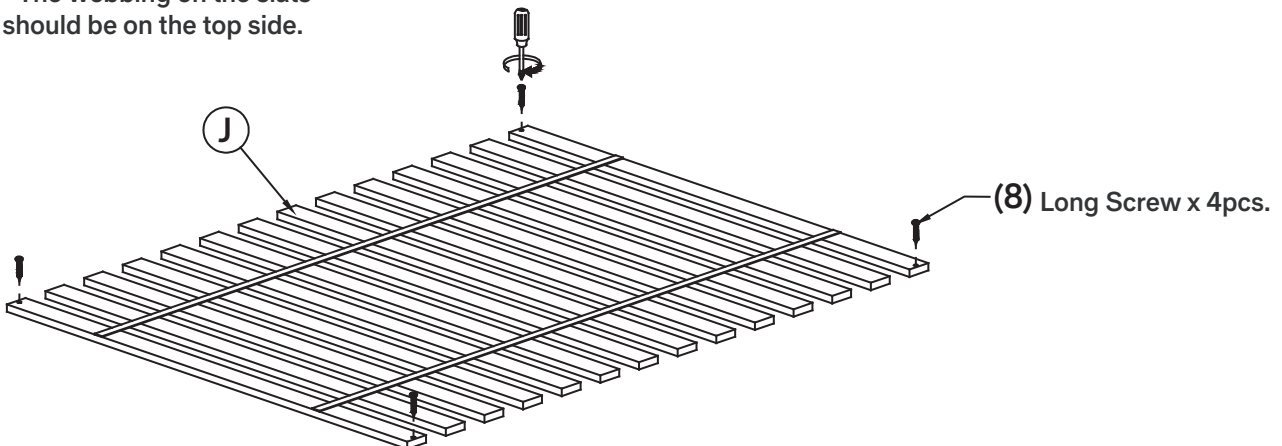
STEP 10:

Lay the Stretcher Bars (H) between the Long Side Guard Rails (C), then tighten using Long Screws (8) and Phillips-head screwdriver (not included).

Lay the Slat Roll (J) in between the Bottom Side Rails (E) and use Long Screws (8) to fasten four end slats to side rails with a screwdriver.



- The webbing on the slats should be on the top side.



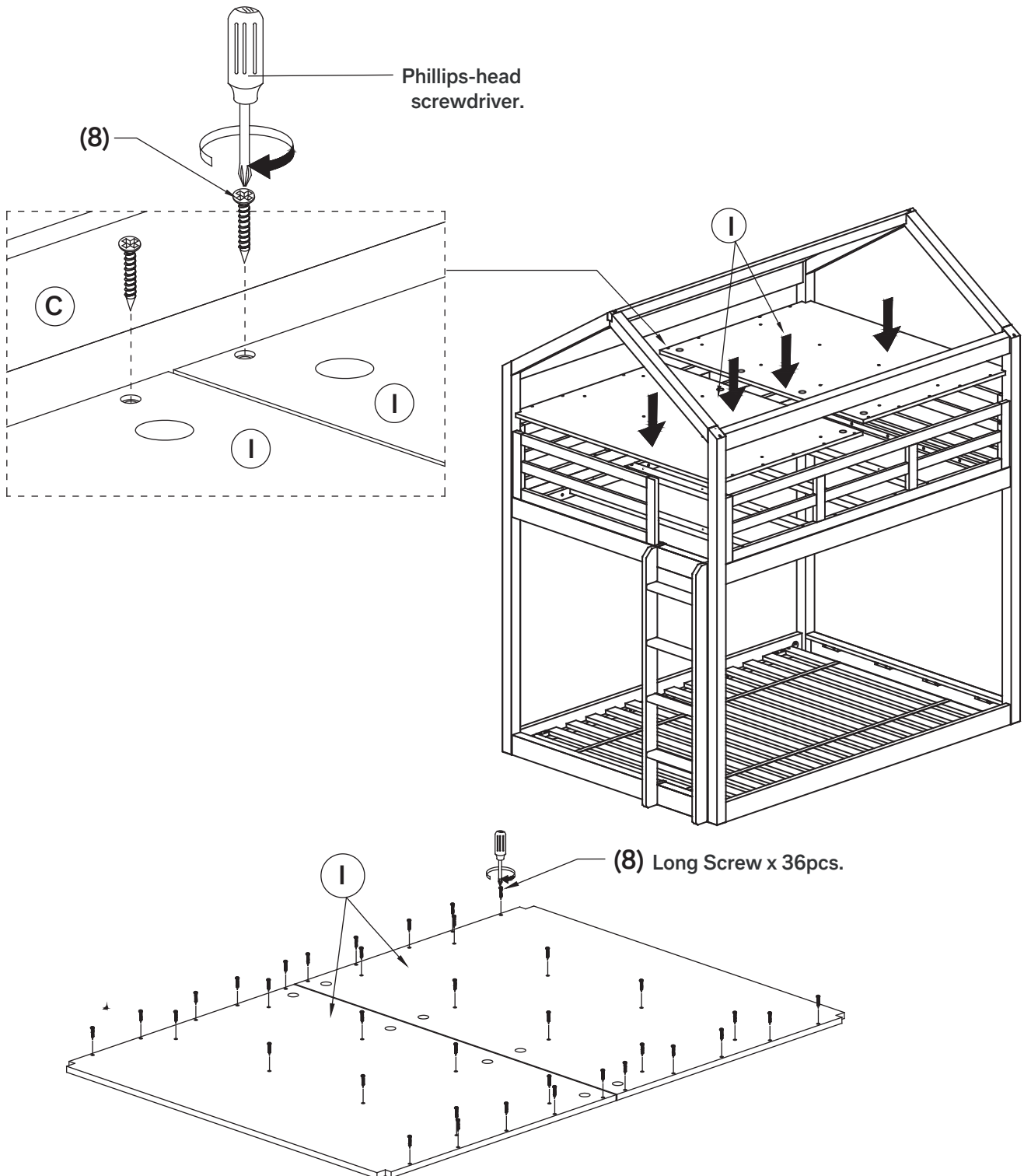
RH BABY & CHILD

COLE TWIN/FULL BUNK BED – ASSEMBLY INSTRUCTIONS

Model No: 355 - 115/116

STEP 11:

Lay the Top Platform Panels (I) on top of the Stretcher Bars (H) and attach using Qty.36 Long Screws (8) with Phillips-head screwdriver.



RHBABY&CHILD

COLE TWIN/FULL BUNK BED – ASSEMBLY INSTRUCTIONS Model No: 355 - 115/116

INSTALL BEDDING

STEP 12:

BEDDING SPECIFICATIONS FOR TOP BUNK:

The following size mattress and Foundation are specified for use with this Bunk bed:

MATTRESS DIMENSION SPECIFICATIONS FOR TOP BUNK

Twin - over - twin bunk: 75" long x 38" wide x 7" thick

Full - over - full bunk: 75" long x 53" wide x 7" thick

MATTRESS DIMENSION SPECIFICATIONS FOR LOWER BUNK

Twin - over - twin bunk: 75" long x 38" wide x 10" thick

Full - over - full bunk: 75" long x 53" wide x 10" thick

PLATFORM :

-Twin - over - twin bunk: Upper bed consists of 2 pcs platform 37 3/4" long x 38 3/4" wide x 3/4" thick & bottom bed consists of 14 pcs slats 38 3/4" long x 2 1/2" wide x 3/4" thick.

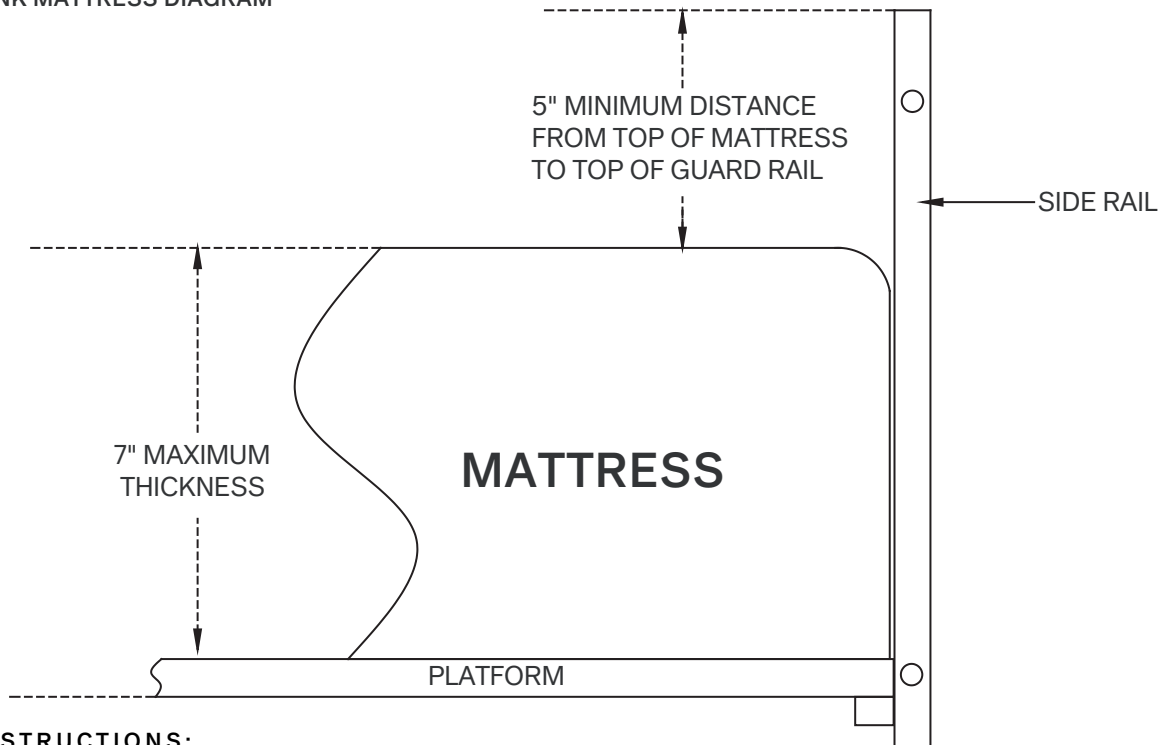
-Full - over - full Bunk: Upper bed consists of 2 pcs platform 37 3/4" long x 53 7/8" wide x 3/4" thick & bottom bed consists of 14 pcs slats 53 7/8" long x 2 1/2" wide x 3/4" thick.

****Note: MATTRESS THICKNESS MUST NOT EXCEED MAX 7" FOR TOP BUNK.**

Be sure to adhere to these BEDDING SPECIFICATIONS in order to avoid the possibility of falling or entrapment.

THESE SPECIFICATIONS MUST BE STRICTLY ADHERED TO !

UPPER BUNK MATTRESS DIAGRAM



CARE INSTRUCTIONS:

1. DUST OFTEN USING A CLEAN, SOFT, DRY LINT- FREE CLOTH.
2. BLOT SPILLS IMMEDIATELY AND WIPE WITH A CLEAN, DAMP CLOTH.
3. DO NOT USE CHEMICAL CLEANSERS, ABRASIVES OR FURNITURE POLISH ON THE LACQUERED FINISH.