

baby & child

RESTORATION HARDWARE

FRENCH RAILROAD CABINET TOP & BASE



WARNING : ADULT ASSEMBLY ONLY OWING TO THE PRESENCE OF SMALL PARTS, SHARP POINTS AND EDGES

Customer Service – If you are missing parts or have any questions about this product please contact us at : 1-800-762-1751

IMPORTANT SAFETY INSTRUCTIONS :

For your safety, it is recommended that two people assemble the unit. These instructions are provided for your safety. It is important that these are read carefully and completely before installation of the fixture.

WARNING:

Young children may be injured by tipping furniture so proper installation of the mounting hardware for this item is highly recommended. When properly installed, this mounting hardware could provide protection against the unexpected tipping of this furniture piece.

This product is only a deterrent. It is not a substitute for proper adult supervision.

CARE INSTRUCTIONS :

To clean, wipe with a soft dry cloth.

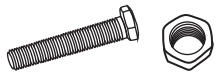
Avoid use of harsh chemicals or abrasive cleaners as these may damage the finishes.

TOOLS NEEDED

Phillips head screwdriver (not included)

HARDWARE LIST

HARDWARE TO ATTACH CABINET TOP TO SINGLE OR DOUBLE DRAWER BASE :

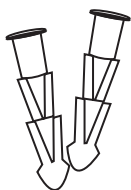


2 SETS NUT & BOLTS

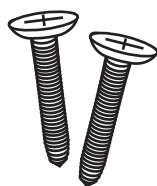


1 PC WRENCH

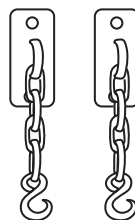
HARDWARE TO ATTACH UNIT TO WALL.



4 ANCHORS
(FOR DRY WALL)



4 SCREWS

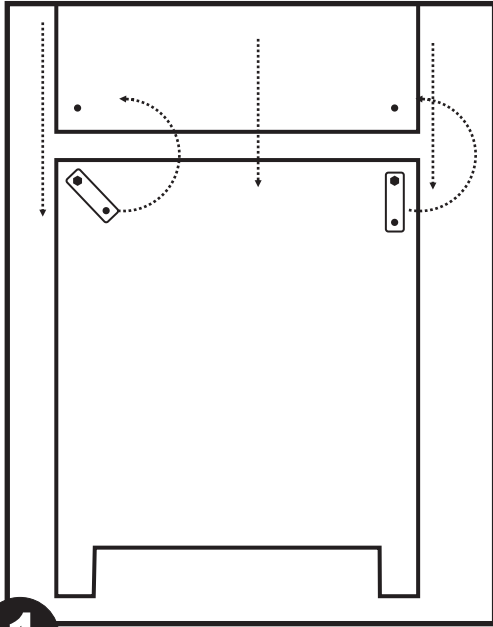


2 SETS ANTI TIP HARDWARE

baby & child

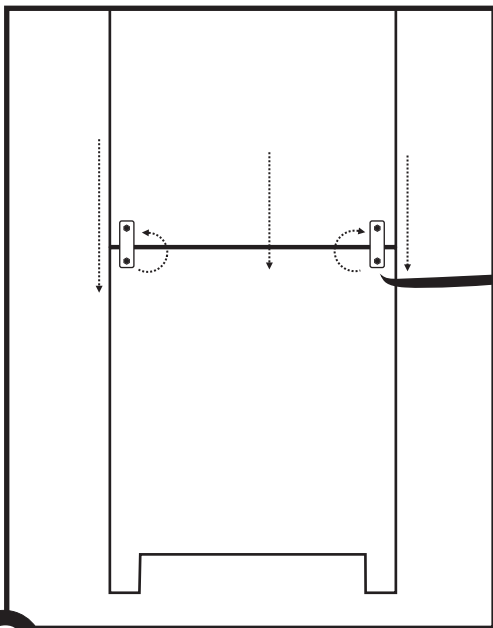
RESTORATION HARDWARE

FRENCH RAILROAD CABINET TOP & BASE



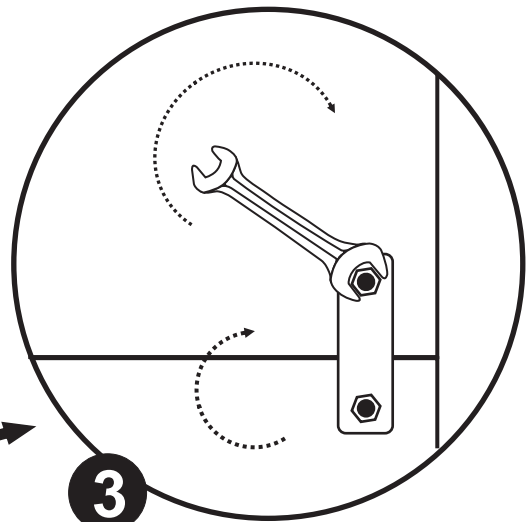
1

Place cabinet on top of base.



2

Rotate pre-installed mending brackets upwards and attach to back of cabinet using 2 sets of nuts & bolts.



3

Tighten with wrench

baby & child

RESTORATION HARDWARE

FRENCH RAILROAD CABINET TOP & BASE

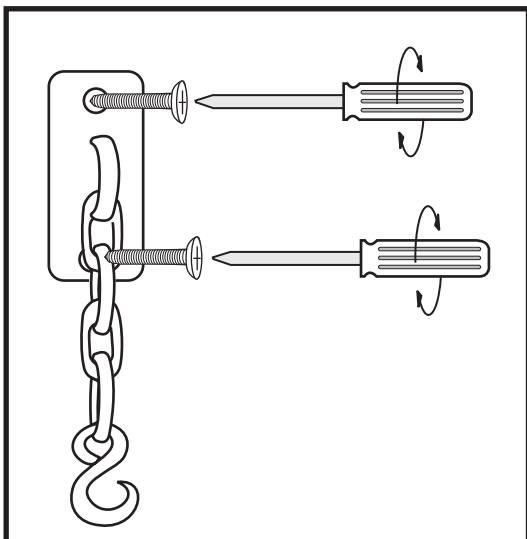
FURNITURE TIPPING RESTRAINT INSTRUCTION

ASSEMBLY INSTRUCTIONS:

1. Determine the final position of the furniture piece. Mark location on the wall approximately 2" below height of the furniture.
2. Drill a starter hole into the wall stud. If wall stud is not available, drill a hole into the wall and insert plastic anchor. Gently tap the anchor until the flange of the anchor is flush with the wall.
3. Attach the Anti Tip Hardware to wall with the set of Screws.
4. Place the furniture in line with the bracket in the wall.
5. Hook the Anchor with iron Bracket of the Cabinet.
6. Check to make sure the Anchors are properly hooked to the iron brackets on the Cabinet.

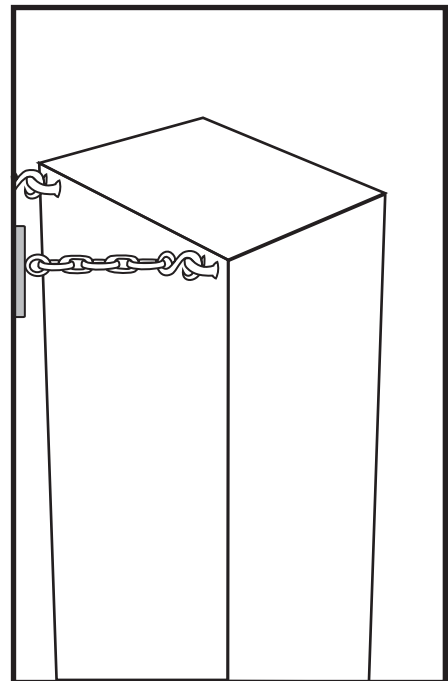
1

Install anti tip hardware on wall with screws at the level of brackets welded on the cabinet.



2

Hook the Anchor with Iron Bracket at the Back of the Cabinet



Thank you for your purchase

www.rhbabyandchild.com