

INDUSTRIAL LOCKER SIDE STORAGE BED



WARNING: ADULT ASSEMBLY ONLY OWING TO THE PRESENCE OF SMALL PARTS, SHARP POINTS AND EDGES

Customer Service – If you are missing parts or have any questions about this product please contact us at: 1-800-762-1751

IMPORTANT SAFETY INSTRUCTIONS:

- For your safety, it is recommended that two people assemble the unit.
- These instructions are provided for your safety. It is important that they are read carefully and completely before assembly.

CARE INSTRUCTIONS:

- To clean, wipe with a soft dry cloth.
- Avoid use of harsh chemicals or abrasive cleaners as they may damage the finishes.

TOOLS NEEDED

- WRENCH and ALLEN KEY (included)



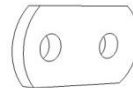
HARDWARE LIST



1) ALLEN BOLT (2 pcs)

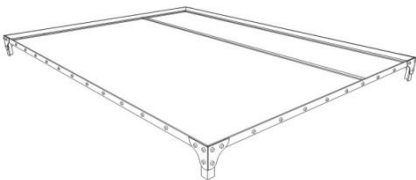


2) NUT (4 pcs)

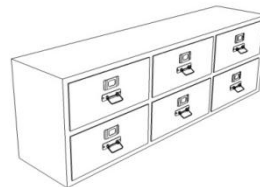


3) MENDING PLATE (1 pc)

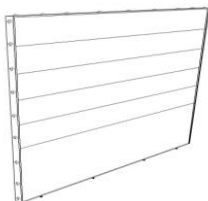
PARTS ENCLOSED



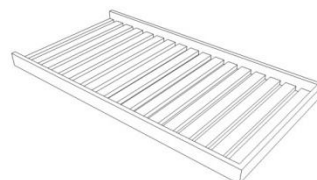
(A) IRON FRAME (1 pc)



(B) SIDE CABINET (1 pc)

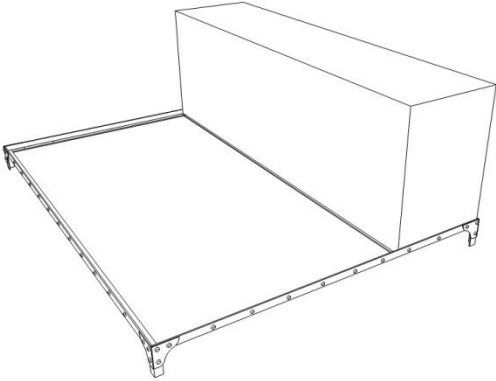


(C) HEADBOARD (1 pc)

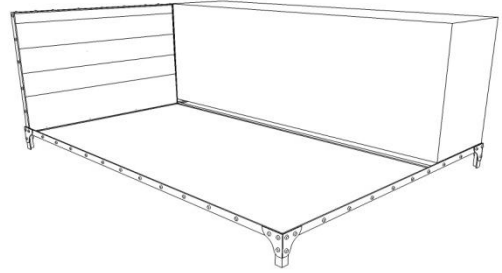


(D) WOOD BASE (1 pc)

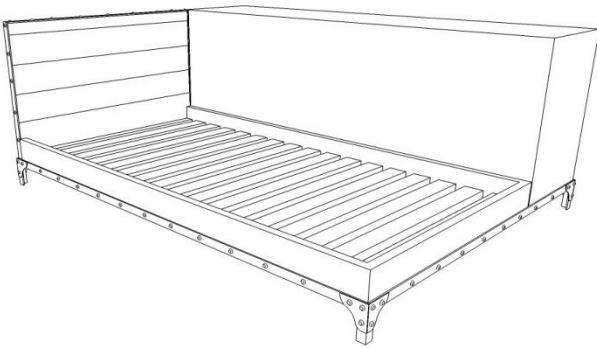
INDUSTRIAL LOCKER SIDE STORAGE BED



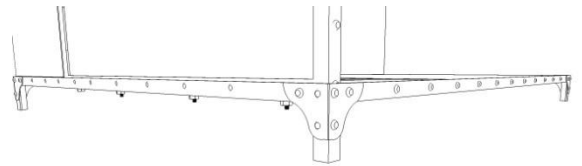
STEP 1 – Place the SIDE CABINET (B) into the IRON FRAME (A).



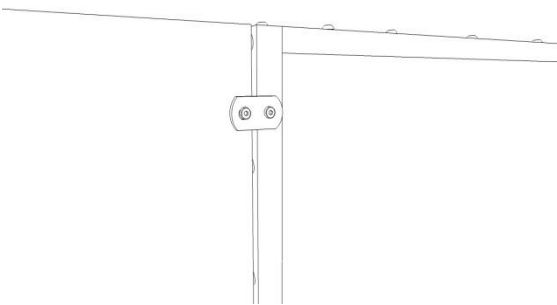
STEP 2 – Place the legs of the HEADBOARD (C) into the IRON FRAME (A). Please note HEADBOARD (C) can be positioned facing either direction, depending on your preference.



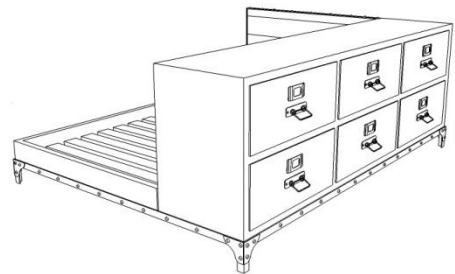
STEP 3- Place the WOOD BASE (D) onto the METAL FRAME (A).



STEP 4 – Attach the HEADBOARD (C) to the IRON FRAME (A) with NUTS (2)



STEP 5 – Attach the HEADBOARD (C) to the SIDE CABINET (B) with ALLEN BOLT (1) and MENDING PLATE (3) in predrilled locations.



Assembly is complete.

Thank you for your purchase.
www.rhbabyandchild.com