

RH BABY&CHILD

INDUSTRIAL PIPE DOUBLE DESK & SHELVING – ASSEMBLY INSTRUCTIONS



PARTS INCLUDED

- | | |
|--|------------------|
| A [4] BENT PIPE | F [4] FRONT LEG |
| B [1] TABLE TOP | G [4] BACK LEG |
| C [2] LONG SHELF | H [2] LONG PIPE |
| D [1] SHORT SHELF | I [8] SMALL PIPE |
| E [4] SOLID ROD WITH THREAD ON BOTH ENDS | |

TOOLS NEEDED

- A [1] PHILLIPS-HEAD SCREWDRIVER (not provided)

HARDWARE LIST

NO.	ITEM	DESCRIPTION	QTY.
1		Phillips Screws Long	16 pcs.
2		Plastic Anchor	16 pcs.
3		Phillips Screw Short	16 pcs.

IMPORTANT SAFETY INSTRUCTIONS :

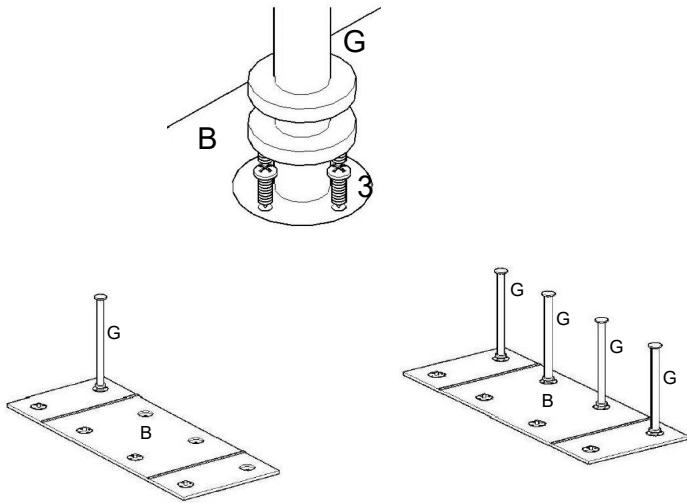
- These products are not compatible with baseboards.
- Young children may be injured by tipping furniture. Proper installation of the mounting hardware for this item is highly recommended. When properly installed, the anti-tipping hardware could provide protection against the unexpected tipping of this furniture piece.

ASSEMBLY INSTRUCTIONS

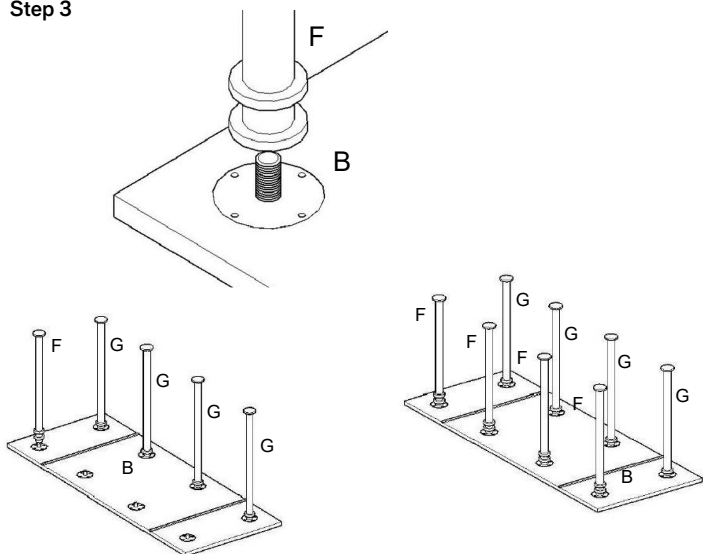
TWO OR MORE PEOPLE MAY BE NEEDED FOR EASY ASSEMBLY

1. Carefully unpack the contents of the carton and position the pieces in the location where the finished product will sit.
2. Set the Table Top (B) upside down on a soft, clean surface. Attach one Back Leg (G) by placing the leg inside the specified groove and fixing it in place with four Phillips Screws Short (3). Repeat step to attach another Back Leg (G).
3. Attach one Front Leg (F) by placing the leg over the threaded stud and rotating it until tight. Repeat step to attach another Front Leg (F).
4. After assembling all legs, turn the product over so it rests on the legs.
5. Insert Solid Rods (E) into openings at rear of desk and fix in place by turning clockwise to tighten.
6. Insert the Long Pipe (H) and Small Pipe (I) onto the solid Rods (E) as shown in image. (Please note: Short Shelf may be installed on left or right side as well. If you wish to install on left, place (G) onto the first two Solid Rod from Right end and (H) onto the remaining two Solid Rods, or reverse to install on right side.)
7. Insert the Short Shelf (D) onto Solid Road (E).
8. Insert the second set of Small Pipes (I) onto the Solid Rods (E) above Short Shelf (D).
9. Insert the Long Shelf (C) onto the Solid Rods (E).
10. Insert 4 Small Pipes (I) onto the Solid Rods (E).
11. Insert a Long Shelf (C) onto the Solid Rods (E).
12. Attach the Bent Pipe (A) and Solid Rods (E) by screwing until tight.
13. To complete the installation, fix the unit to wall with the Phillips Screws Long (1) and Plastic Anchors (2) in the predrilled holes in Bent Pipe (A).
14. Assembly is complete.

Step 2



Step 3



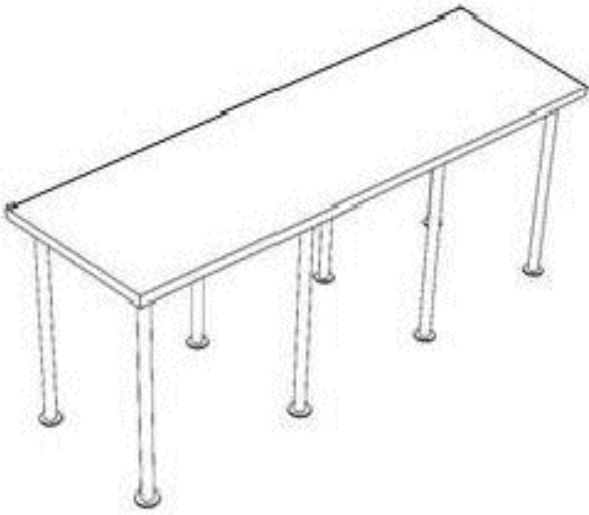
CARE INSTRUCTIONS:

- Do not leave children unattended before product is fully assembled / unassembled.
- For your safety, it is recommended that two people assemble this piece.
- Dust often using a clean, soft, dry, lint-free cloth.
- Bolt all pieces immediately and wipe with a clean, damp cloth.
- We do not recommend the use of chemical cleaners, abrasives, or furniture polish on our lacquered finish.

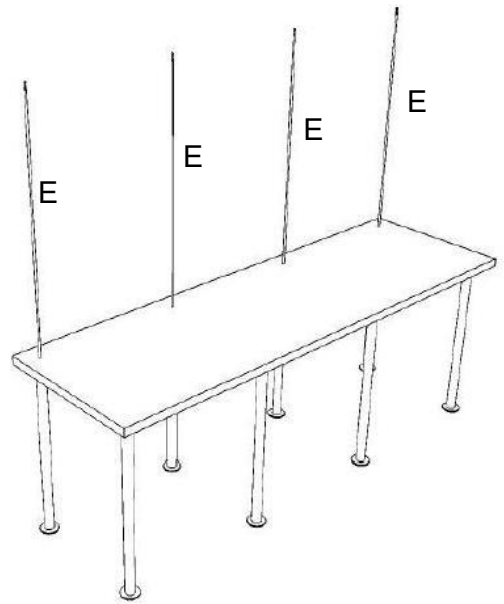
RH BABY&CHILD

INDUSTRIAL PIPE DOUBLE DESK & SHELVING – ASSEMBLY INSTRUCTIONS

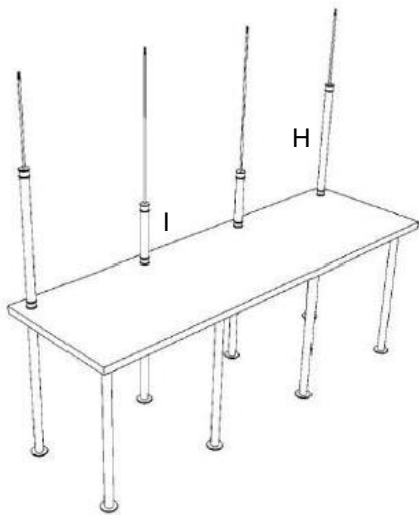
Step 4



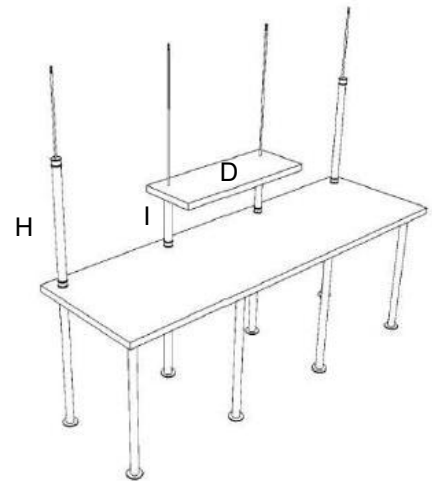
Step 5



Step 6



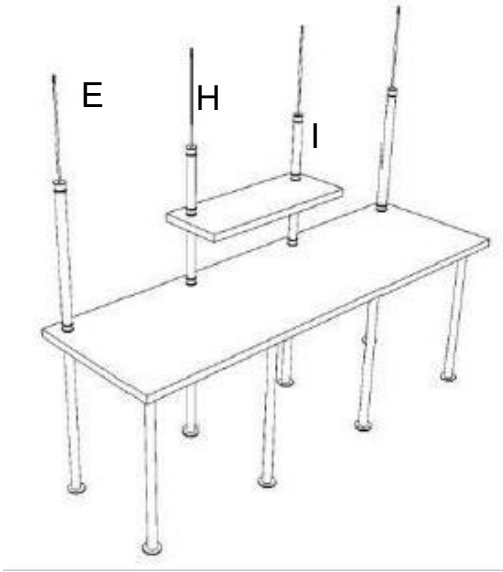
Step 7



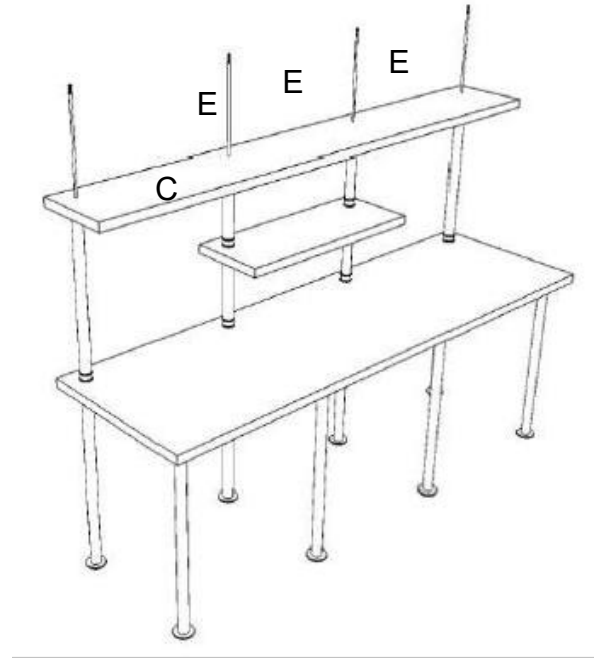
RH BABY&CHILD

INDUSTRIAL PIPE DOUBLE DESK & SHELVING – ASSEMBLY INSTRUCTIONS

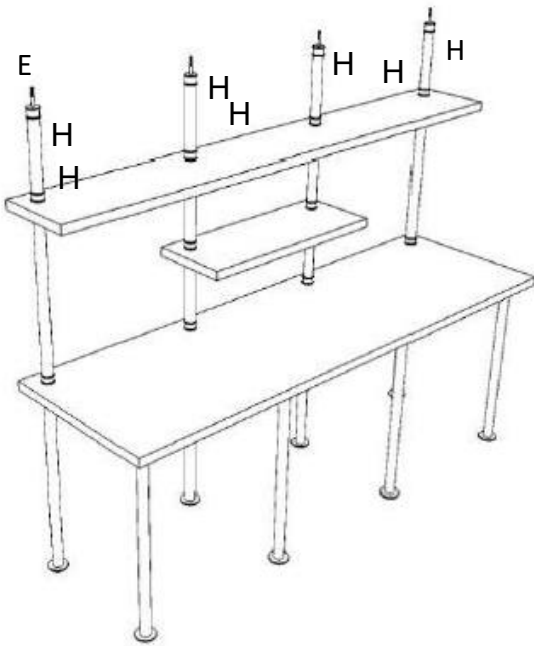
Step 8



Step 9



Step 10



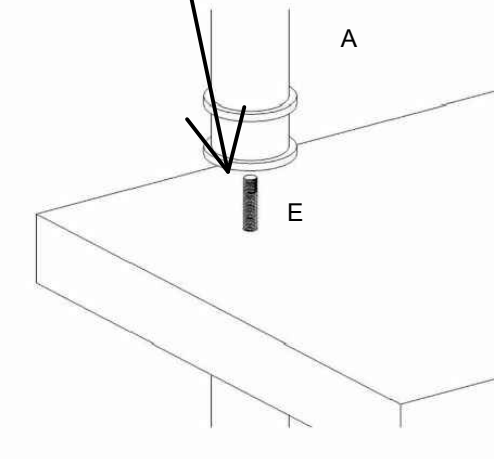
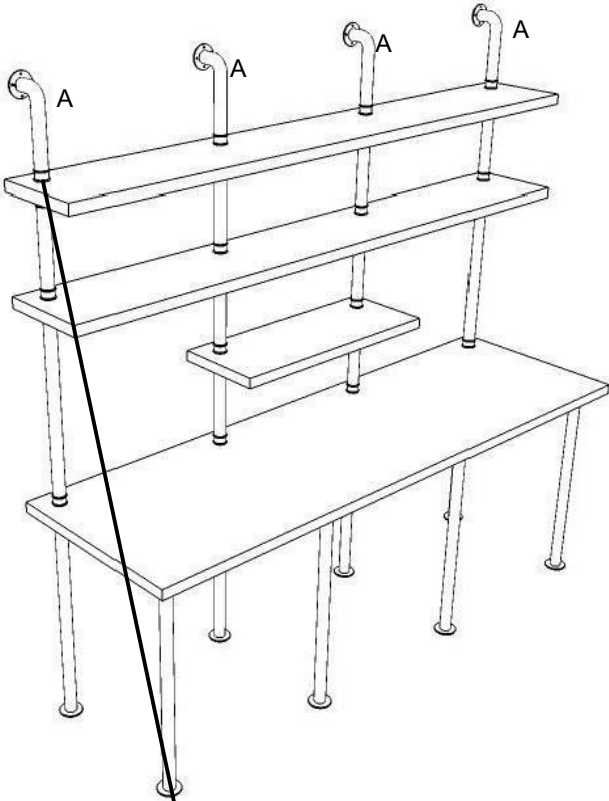
Step 11



RH BABY&CHILD

INDUSTRIAL PIPE DOUBLE DESK & SHELVING – ASSEMBLY INSTRUCTIONS

Step 12



Step 13

