
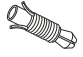
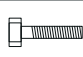



INDUSTRIAL PIPE SINGLE DESK WITH DRAWERS

PARTS INCLUDED

- A [1] DRAWER BOX
- B [4] DRAWER BOX FEET
- C [4] SHORT SUPPORTS
- D [1] DESK TOP
- E [1] FRONT LEG
- F [1] BACK LEG
- G [3] RODS
- H [1] LONG PIPE
- I [7] SHORT PIPES
- J [1] SHORT SHELF
- K [2] LONG SHELF
- L [4] BENT PIPES

HARDWARE LIST

NO.	ITEM	DESCRIPTION	QTY.
1		Screw	25 pcs.
2		Plastic Anchor	12 pcs.
3		Bolt	2 pcs.
4		Washer	2 pcs.

TOOLS NEEDED

- A [1] PHILLIPS HEAD SCREW DRIVER (Not provided).
- B. [1] SPANNER (Provided)

ASSEMBLY INSTRUCTIONS

TWO OR MORE PEOPLE MAY BE NEEDED FOR EASY ASSEMBLY

1. Carefully unpack the contents of the carton and start the assembly as close to the final intended position.
2. Set the Drawer Box (A) upside down on a soft, clean surface.
3. Screw the Drawer Box Feet (B) onto the threaded rods on the bottom of the Drawer Box by turning them as shown.
4. Turn over the assembled Drawer Box (A).
5. Place 2 of the Short Supports (C) into the french slots found on the top of the Drawers Box (A) and attach each of them with 4 screws.
6. Lay the Desk Top (D) upside down on a soft, clean surface. Insert the other 2 Short Supports (C) into the french slots found on the bottom of the Desk Top (D) and attach each of them with 4 screws.
7. Place the Desk Top (D) on top of the Drawer Box (A) and attach them by fastening the 2 Bolts and Washers from the inside of the first drawer .
8. Add the Front Leg (E) by screwing its threaded end into the preassembled nut under the front corner of the Desk Top (D).
9. Place Back Leg (F) under the back corner of the Desk Top (D) and screw the 3 Rods (G) into the 3 holes found on the top of the Desk Top (D).
10. Insert the Long Pipe (H) onto the left side Rod (G) and 2 Short Pipes (I) onto the central and right side Rods (G).
11. Insert the Short Shelf (J) onto the central and right side Rods (G), then, add 2 more Short Pipes (I) above the Short Shelf (J).
12. Take one of the Long Shelves (K) and add it to the structure by inserting the 3 Rods (G) in the 3 holes of the shelf. Add 3 Short Pipes (I) to the 3 Rods (G) and insert the second Long Shelf (K).
13. Screw the 3 Bent Pipes (L) to the ends of the 3 Rods (G) and fix them to the wall with screws, and anchors if needed.
14. Assembly is complete.

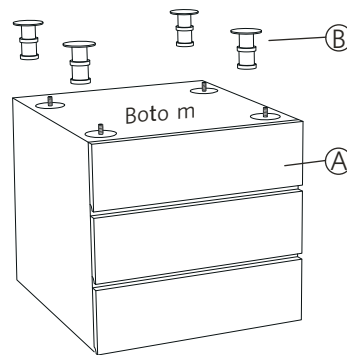
CARE INSTRUCTIONS

1. Clean periodically by wiping with a soft clean dry cloth.
2. Do not use abrasive cleaners, chemical cleaners, or metal polishes, as they may damage the finishes.

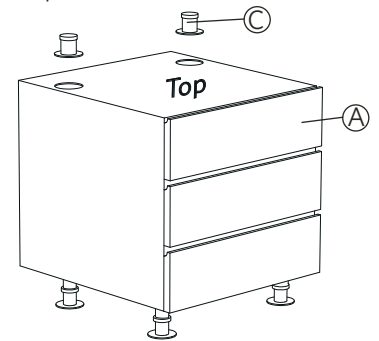
IMPORTANT SAFETY INSTRUCTIONS

Young children may be injured by tipping furniture and proper installation of the mounting hardware for this item is highly recommended. When properly installed, this mounting hardware could provide protection against the unexpected tipping of this furniture piece.

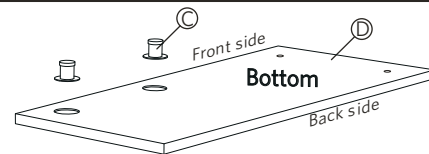
Step 3



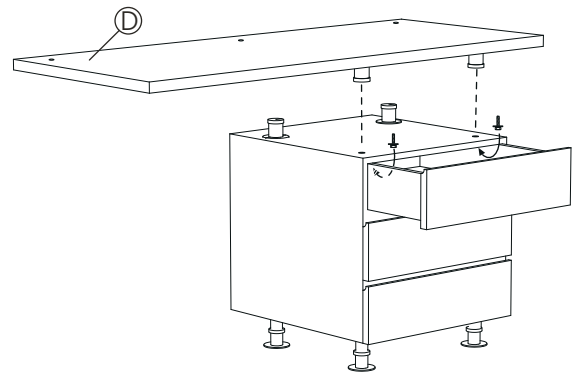
Step 5



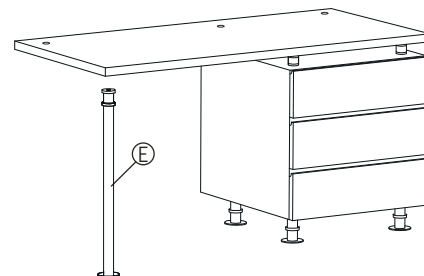
Step 6



Step 7

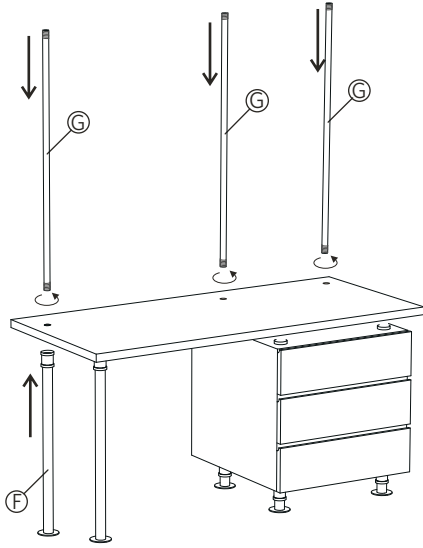


Step 8

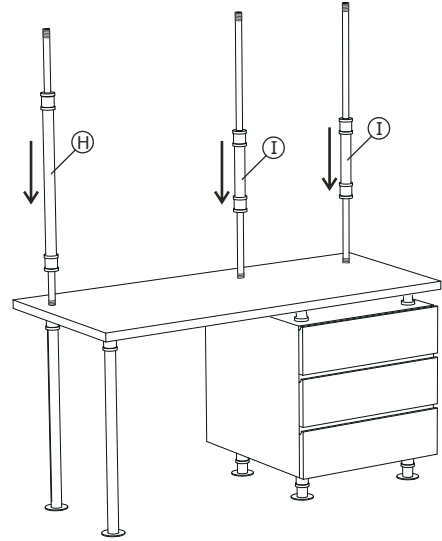


INDUSTRIAL PIPE SINGLE DESK WITH DRAWERS

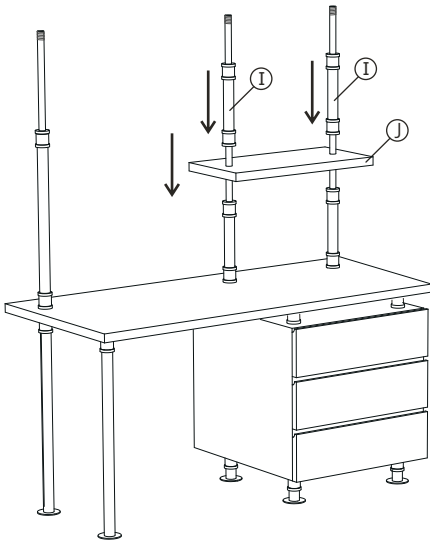
Step 9



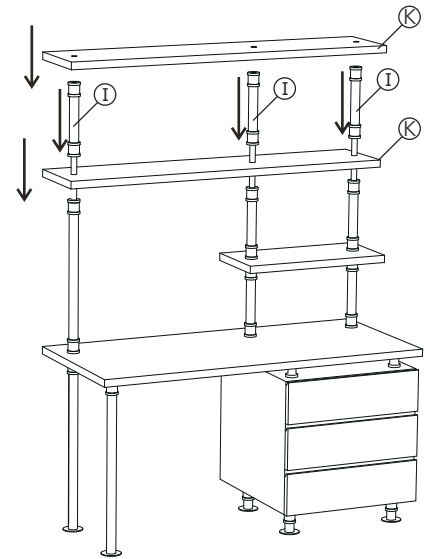
Step 10



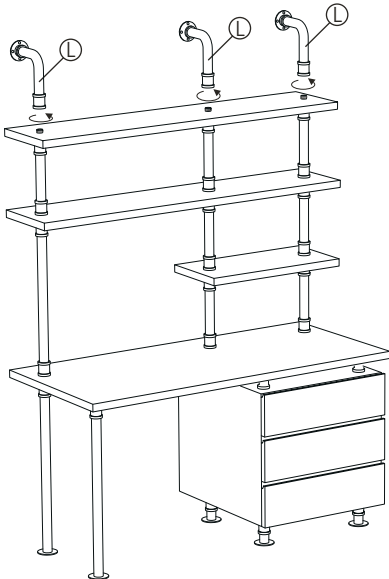
Step 11



Step 12



Step 13



Step 14

