

RH BABY&CHILD

INDUSTRIAL PIPE WIDE SHELVING – ASSEMBLY INSTRUCTIONS



PARTS INCLUDED

- A [3] FEET
- B [3] RODS
- C [6] SHELVES
- D [6] SHORT 11" H PIPE
- E [9] LONG 12" H PIPE
- F [3] BENT PIPES

TOOLS NEEDED

- A [1] PHILLIPS HEAD SCREWDRIVER (not provided)

HARDWARE LIST

NO.	ITEM	DESCRIPTION	QTY.
1		Phillips Screw	12 pcs.
2		Plastic Anchor	12 pcs.

IMPORTANT SAFETY INSTRUCTIONS :

- These products are not compatible with baseboards.
- Young children may be injured by tipping furniture. Proper installation of the mounting hardware for this item is highly recommended. When properly installed, the anti-tipping hardware could provide protection against the unexpected tipping of this furniture piece.

ASSEMBLY INSTRUCTIONS

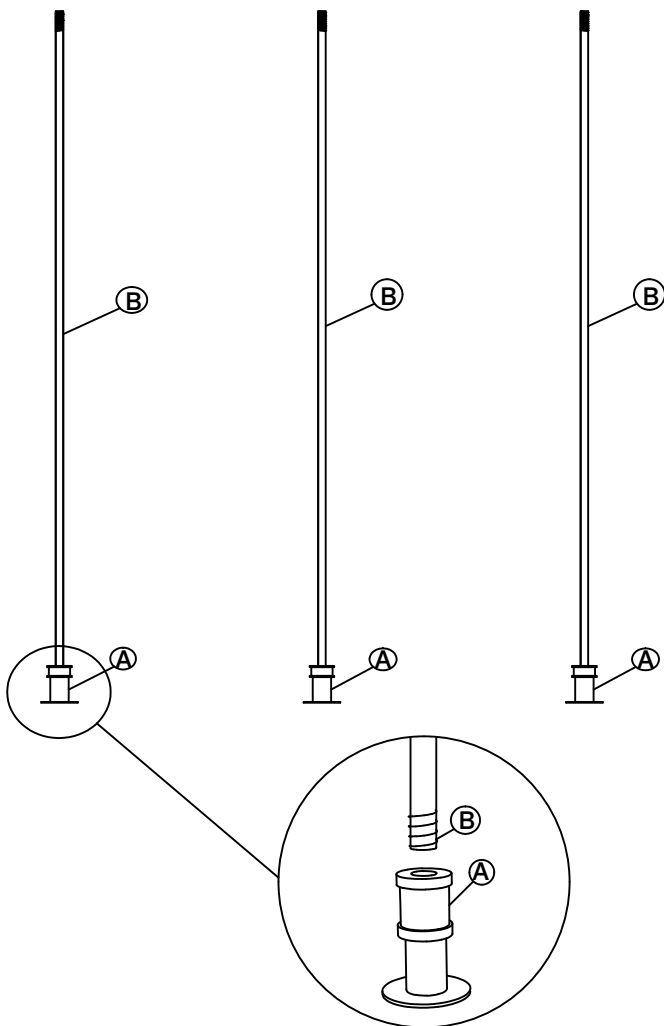
TWO OR MORE PEOPLE MAY BE NEEDED FOR EASY ASSEMBLY

1. Carefully unpack the contents of the carton and position the pieces in the location where the finished product will sit.
2. Screw the bottom feet (A) to the rods (B) with threaded ends.
3. Insert one Shelf onto the Rods (B), then insert 3 Short 11"H Pipe (D) onto all 3 Rods (B) above the shelf.
4. Repeat step 3.
5. Insert one shelf (C) onto the Rods (B) above the Short 11"H Pipes. Insert 3 Long 12"H Pipes (E) onto the Rods (B). Repeat this step 3 times.
6. After inserting the last shelf (C) onto the Rods (B), screw the Bent Pipes (F) to the ends of the 2 Rods (B) and fix them to the wall with screws. Use anchors if needed.
7. To complete the installation, fix the unit to wall with the Phillips Screws Long (1) and Plastic Anchors (2) in the predrilled holes in Bent Pipe (A).
8. Assembly is complete.

CARE INSTRUCTIONS:

- Do not leave children unattended before product is fully assembled / unassembled.
- For your safety, it is recommended that two people assemble this piece.
- Dust often using a clean, soft, dry, lint-free cloth.
- Bolt all pieces immediately and wipe with a clean, damp cloth.
- We do not recommend the use of chemical cleaners, abrasives, or furniture polish on our lacquered finish.

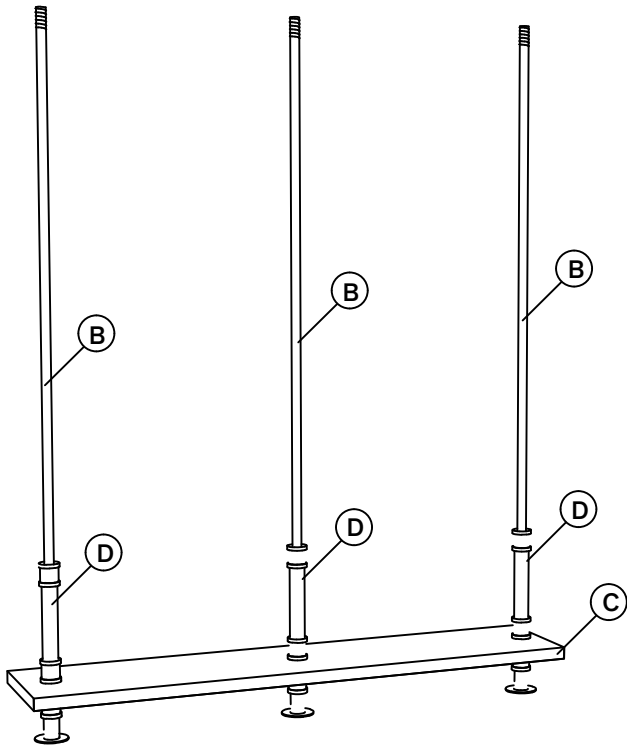
Step 2



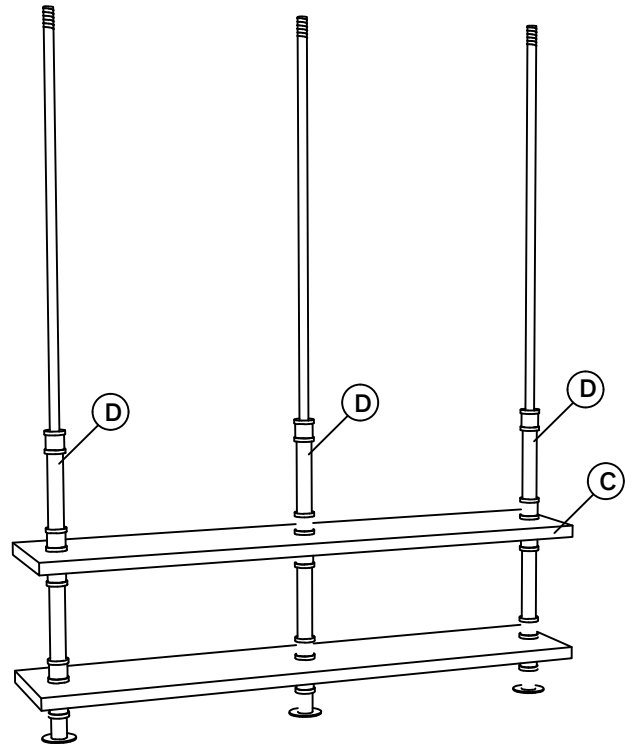
RH BABY&CHILD

INDUSTRIAL PIPE WIDE SHELVING – ASSEMBLY INSTRUCTIONS

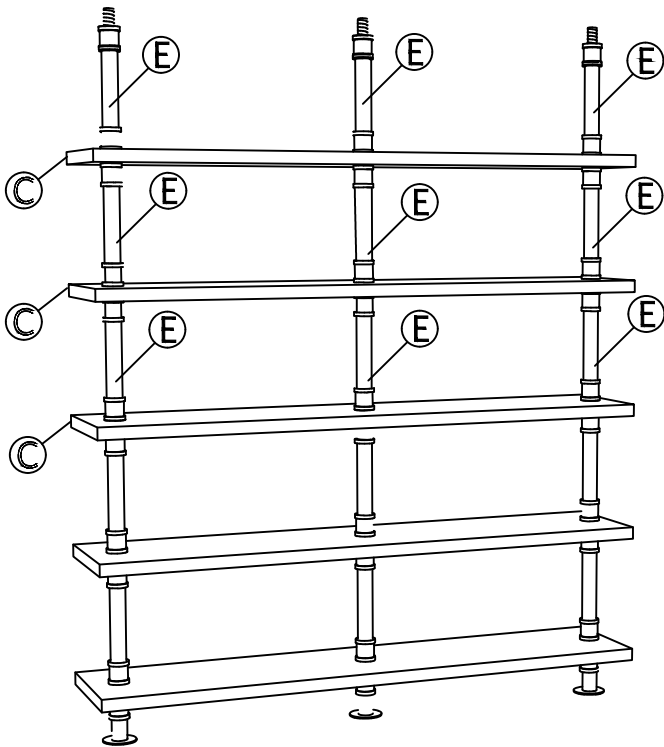
Step 3



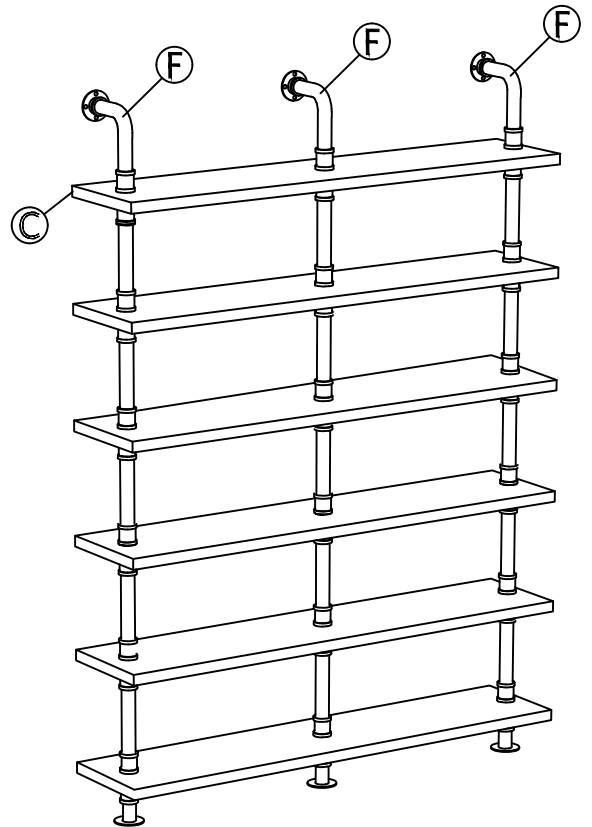
Step 4



Step 5



Step 6



RH BABY&CHILD

INDUSTRIAL PIPE WIDE SHELVING – ASSEMBLY INSTRUCTIONS

Step 7

