

RHBABY&CHILD

JAMESON STORAGE CONVERSION CRIB - ASSEMBLY INSTRUCTIONS

Made in Vietnam

Distributed in the USA by:

RHBaby&Child

2900 North Macarthur Dr.

Tracy, CA 95376

USA

www.rhbabyandchild.com

Distributed in Canada by:

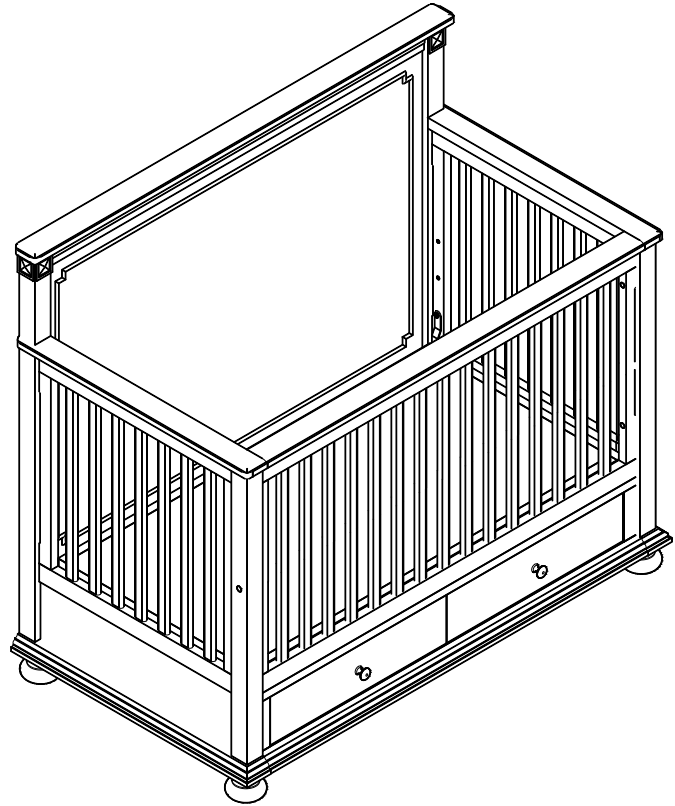
RH Canada, Inc.

1500-1055 West Georgia Street

Vancouver, British Columbia V6E4N7



WARNING: Read all instructions before assembling this product. **KEEP INSTRUCTIONS FOR FUTURE USE.**



CUSTOMER SERVICE

If you are missing parts or have any questions about this product, contact us first. You can also order parts by writing to the address above.

Include the product model number, color, and a brief description of the part. Or call 1-800-762-1751.

CARE AND CLEANING

DO NOT scratch or chip the finish. **DO NOT** use abrasive chemicals for cleaning. Dust often using a clean, soft, dry cloth.

Blot spills immediately and wipe with a clean, damp cloth. If the crib is to be stored, store in a cool, dry place and carefully package all original hardware to protect from loss.

TOOLS NEEDED

Allen key (included)

NOTE: Two people are recommended for assembly.

NOTE: When inserting bolts, turn clockwise until tight. Then loosen $\frac{1}{2}$ - $\frac{3}{4}$ of a turn. After crib is completely assembled, return to each bolt and tighten. Use wax or soap on all bolts to facilitate assembly.

IMPORTANT SAFETY INFORMATION FOR CRIBS



WARNING: Infants can suffocate on soft bedding. Never add a pillow or comforter. Never place additional padding under an infant.



WARNING: Failure to follow these warnings and the assembly instructions could result in serious injury or death.

- To reduce the risk of SIDS, pediatricians recommend healthy infants to be placed on their backs to sleep, unless otherwise approved by your physician.

Strangulation Hazard:

- Strings can cause strangulation! **DO NOT** place items with a string around a child's neck, such as hood strings or pacifier cords. **DO NOT** suspend strings over a crib or attach strings to toys.
- To help prevent strangulation tighten all fasteners. A child can trap parts of the body or clothing on loose fasteners.
- **DO NOT** place crib near window where cords from blinds or drapes may strangle a child.

Fall Hazard:

- When a child is able to pull to a standing position, set mattress to lowest position and remove bumper pads, large toys and other objects that could serve as steps for climbing out.
- When child is able to climb out or reaches the height of 35" (89cm), the crib shall no longer be used, and the child should be placed in a youth or regular bed.
- Check this product for damaged hardware, loose joints, missing parts or sharp edges before and after assembly and frequently during use. Securely tighten loose bolts and other fasteners. **DO NOT** use crib if any parts are missing, damaged or broken. Contact customer service at 1-800-762-1751 for replacement parts and instructional literature if needed.
- **DO NOT** substitute parts.
- **DO NOT** use a water mattress with this crib.
- If refinishing, use a non-toxic finish specified for children's products.
- Follow warnings on all products in a crib.
- Never use plastic shopping bags or other plastic film as mattress covers because they can cause suffocation.
- Infants can suffocate in gaps between crib sides and a mattress that is too small.

IMPORTANT SAFETY INFORMATION FOR CRIBS

CAUTION: ANY MATTRESS USED IN THIS CRIB SHALL BE AT LEAST 27 1/4" X 51 5/8" WITH A THICKNESS NOT EXCEEDING 6".



WARNING

Do not use this crib if you cannot exactly follow the instructions provided.

Do not use this crib for a child who can climb out of it or who is taller than 35" (89cm).

Do not place in or near the crib any cord, strap or similar item that could become wrapped around a child's neck.

Do not place this crib near a window or patio door where a child could reach the cord of a blind or curtain and be strangled.

Check this crib regularly before using it, and do not use if any part is loose or missing or if there are any signs of damage.

Do not substitute parts. Contact the manufacturer if replacement parts or additional instructions are needed.

Children can suffocate on soft bedding. Do not place pillows, comforters or soft mattresses in this crib.

Use a mattress that is no thicker than 15cm in height and, when it is pushed firmly against any side of this crib, it does not leave a gap of more than 3cm between the mattress and any part of any other side of the crib.

IMPORTANT SAFETY INFORMATION FOR TODDLER AND DAYBEDS



WARNING: ENTRAPMENT / STRANGULATION HAZARD

Infants have died in toddler beds from entrapment and strangulation. Failure to follow these warnings and the assembly instructions could result in serious injury or death.

NEVER use bed with children under 15 months of age.

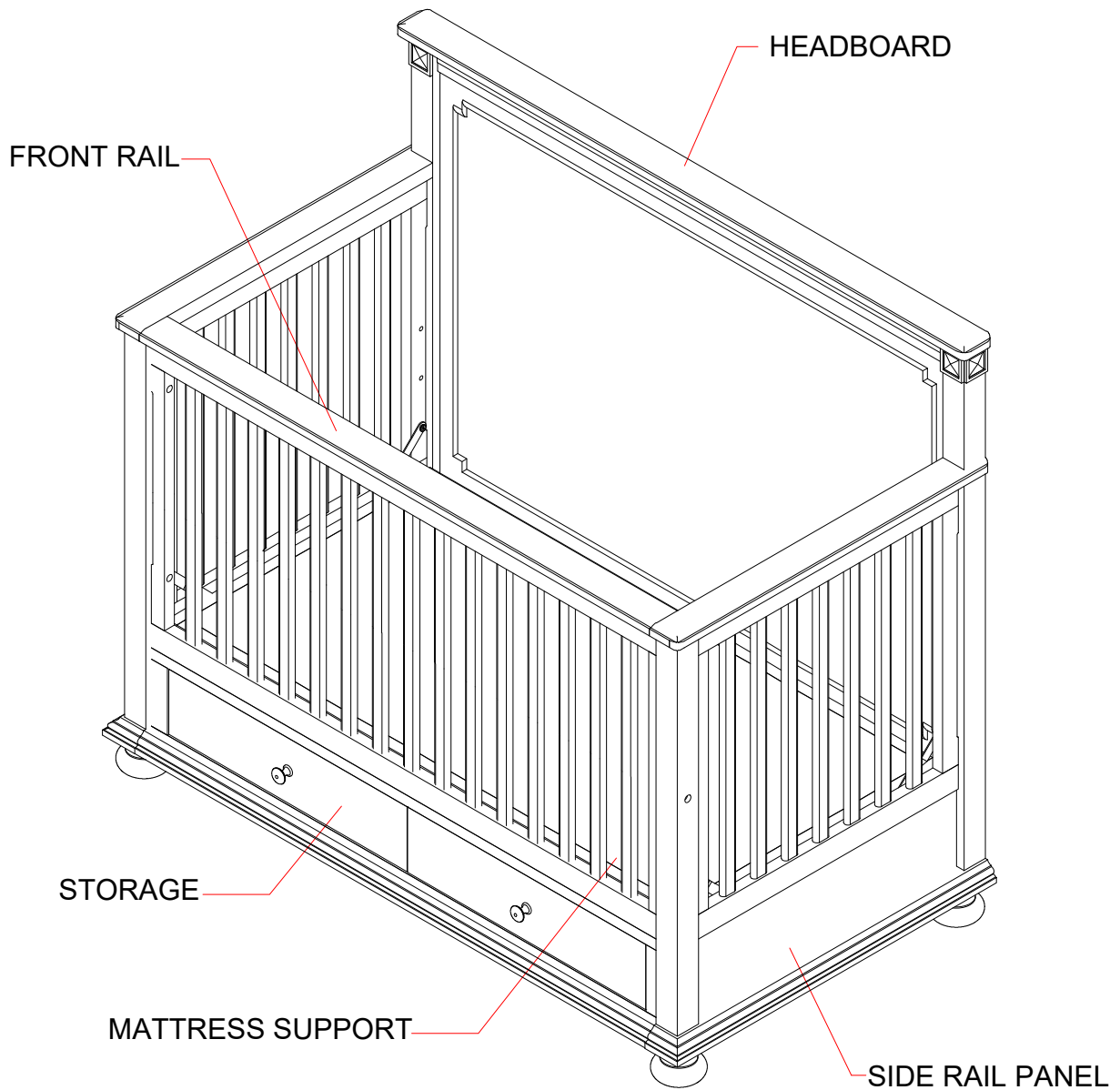
NEVER place bed near windows where cords from blinds or drapes may strangle a child.

- The mattress intended for use on the bed shall be a full-size crib mattress having minimum dimensions of 51 5/8" (1310mm) in length, 27 1/4" (690mm) in width and 4" (100mm) in thickness, not exceeding 6" (150mm) in thickness.
- **DO NOT** place bed near windows where cords from blinds or drapes may strangle a child.
- **DO NOT** place items with a string, cord, or ribbon around a child's neck, such as hood strings or pacifier cords.
- **DO NOT** suspend strings over a toddler bed for any pacifier cords.
- A child using the toddler or daybed shall be at least 15 months of age and shall not weigh more than 50 lbs (22.7kgs).

PARTS IDENTIFICATION

For ease of identification, all parts are labeled to correspond to the Step number in which the part is used.

- Step 1 Side frame and storage assembly (Page 6)
- Step 2 Mattress support assembly (Page 7)
- Step 3 Headboard assembly (Page 8 and 9)
- Step 4 Front rail assembly (Page 10)
- Step 5 Hide unused holes (Page 11)
- Step 6 Metal bed frame assembly (Page 12)



STEP 1

STORAGE & SIDE RAIL PANEL ASSEMBLY

STEP 1.1

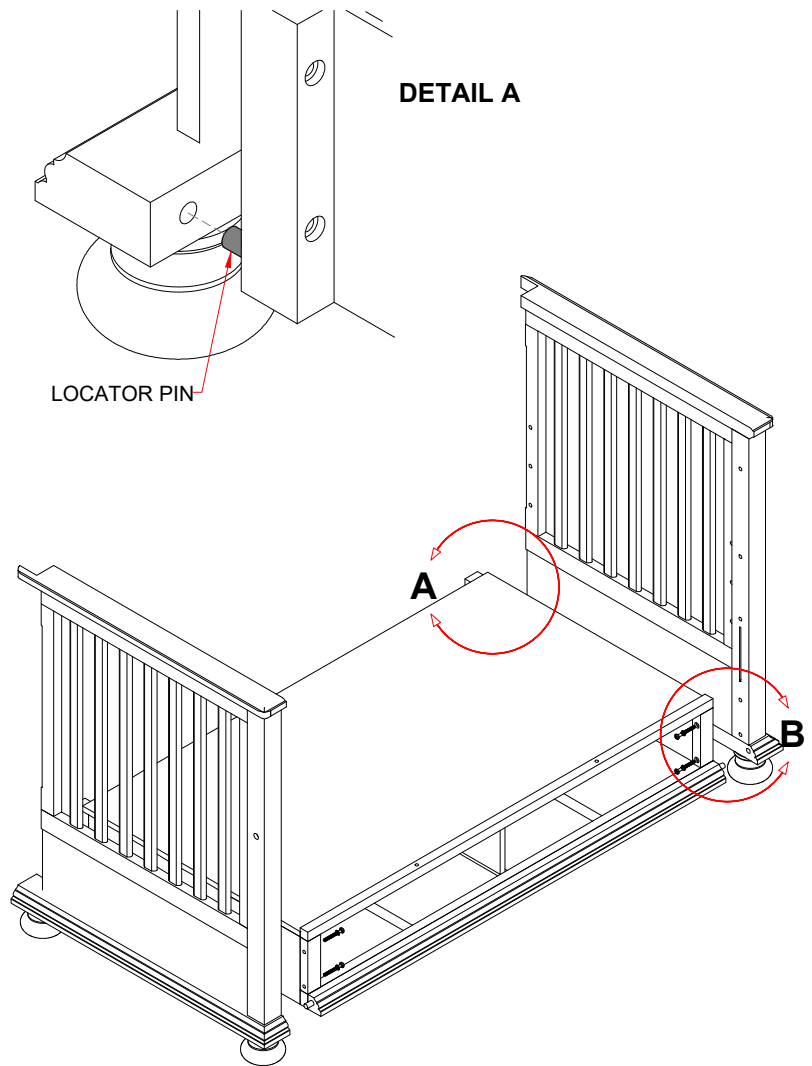
Fully remove the drawers from the storage.

STEP 1.2

Bring the storage and the side panels in upright position. Align the locator pins on both ends of the storage to the bore holes in the side panels. Refer to **DETAIL A** and **DETAIL B**.

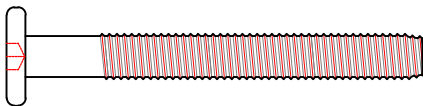
STEP 1.3

Attach the side panels to the storage by using Allen bolts (AA) together with lock washers and plain washers. Please see **DETAIL A**.



HARDWARE NEEDED FOR STEP 1

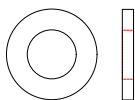
(AA) 1/4" x 2 3/16" Allen Bolt = 4 pcs



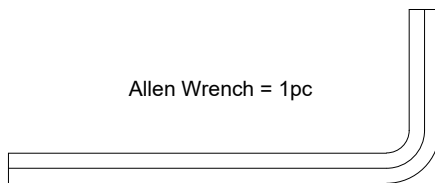
Lock Washers 1/4" = 4 pcs



Plain Washers 1/4" = 4 pcs



Allen Wrench = 1pc



STEP 2

MATTRESS SUPPORT ASSEMBLY

STEP 2.1

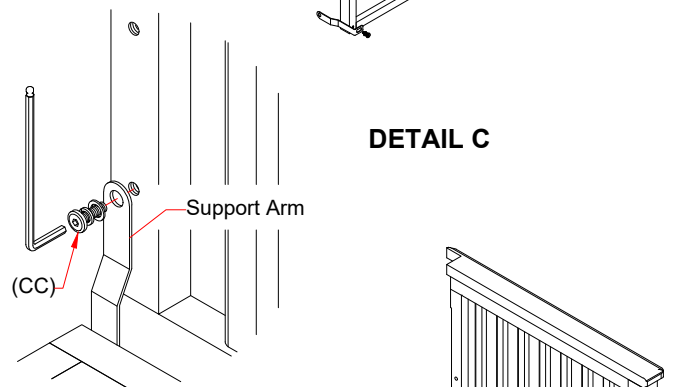
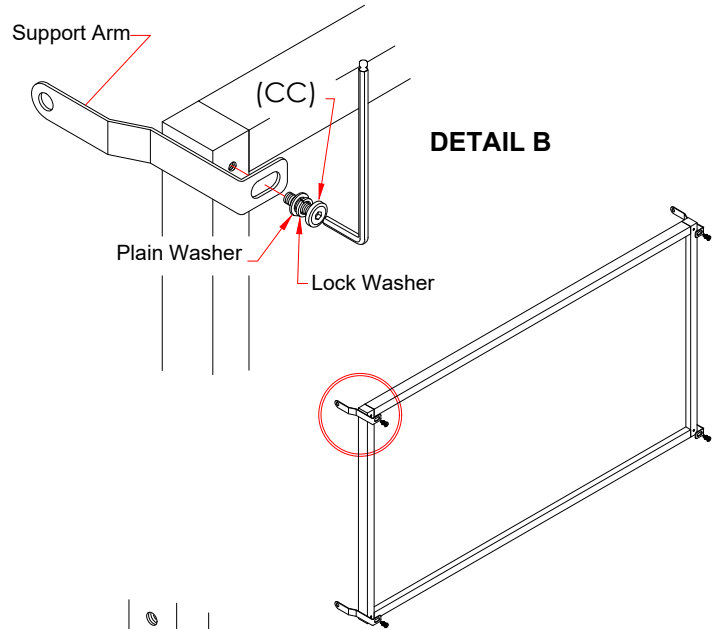
Attach the support arms to the mattress support, using Allen bolts (CC), lock washers and plain washers. See **DETAIL B**.

STEP 2.2

Hang the mattress support on both side panels by using Allen bolts (CC), lock washers and plain washers to attach the support arms into the fixed nuts in the side vertical rails of the side panels. See **DETAIL C**.

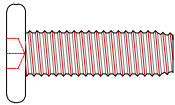
WARNING:

Set the mattress support to the desired height by adjusting the support arms. The mattress support should be at its highest setting for newborns, then adjusted to the lower positions as the child grows and becomes mobile. Once the child is able to stand, the mattress support should be at its lowest position.

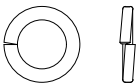


HARDWARE NEEDED FOR STEP 2

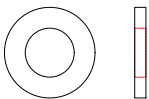
(CC) 1/4" x 13/16" Allen Bolt = 8 pcs



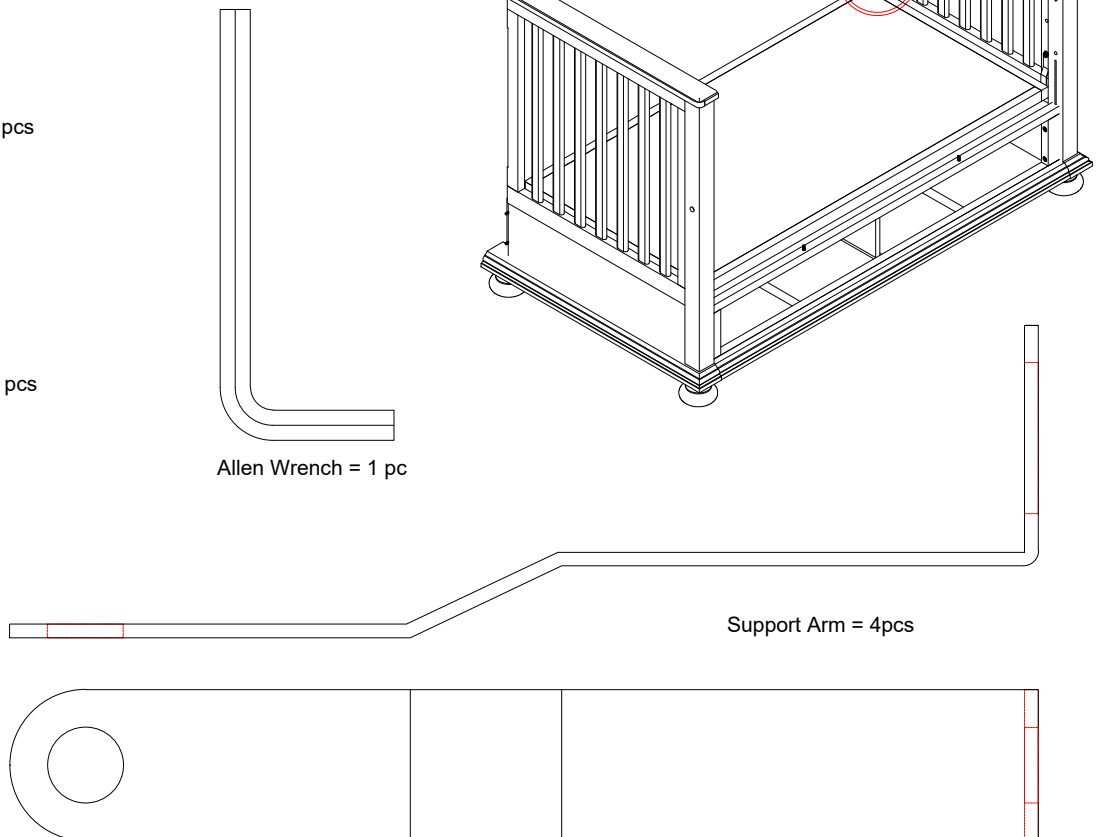
Lock Washer 1/4" = 8 pcs



Plain Washer 1/4" = 8 pcs



Allen Wrench = 1 pc



STEP 3

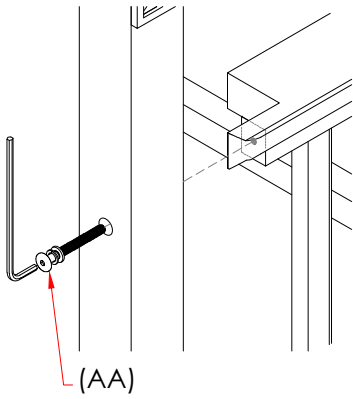
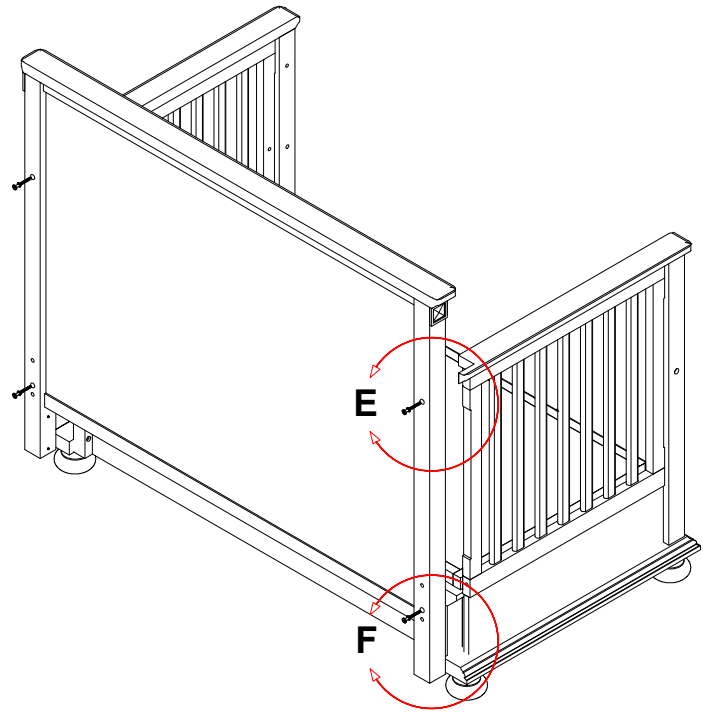
HEADBOARD ASSEMBLY

STEP 3.1

Insert the headboard to the back sides of the side panels.

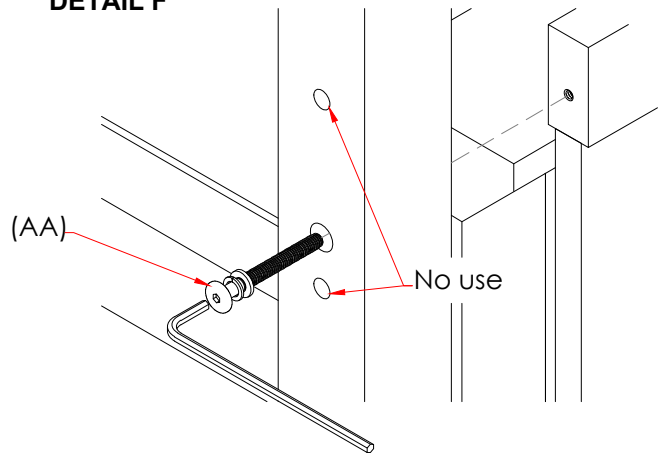
STEP 3.2

Use Allen bolts (AA), lock washers and plain washers to attach the crib headboard to the side panels. Please see **DETAIL E** and **DETAIL F**.



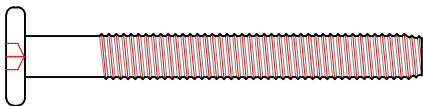
DETAIL E

DETAIL F



HARDWARE NEEDED FOR STEP 3

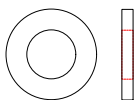
(AA) 1/4" x 2 3/16" Allen Bolt = 8 pcs



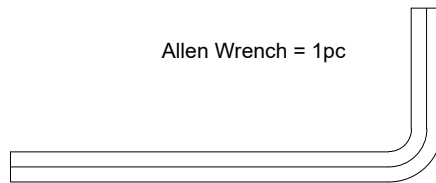
Lock Washers 1/4" = 8 pcs



Plain Washers 1/4" = 8 pcs



Allen Wrench = 1pc

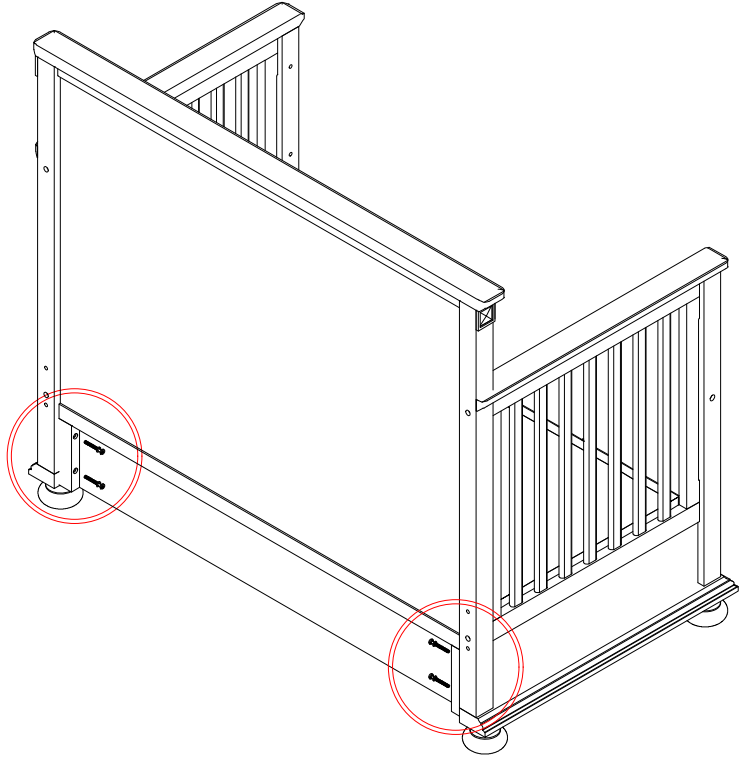


STEP 3

HEADBOARD ASSEMBLY

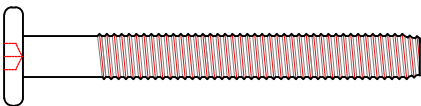
STEP 3.3:

Fix the storage to the headboard posts, using Allen bolts (AA), lock washers and plain washers. See **DETAIL G**.



HARDWARE NEEDED FOR STEP 3

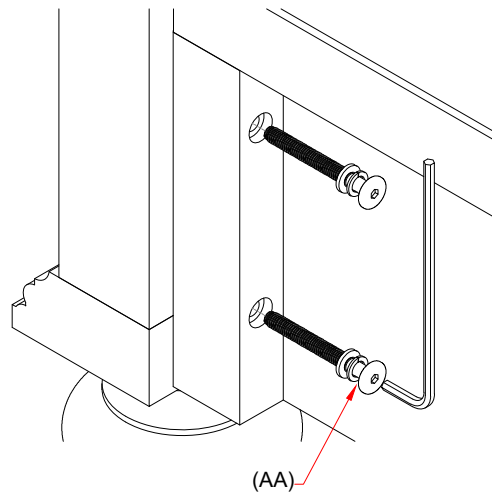
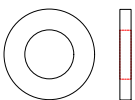
(AA) 1/4" x 2 3/16" Allen Bolt = 8 pcs



Lock Washers 1/4" = 8 pcs

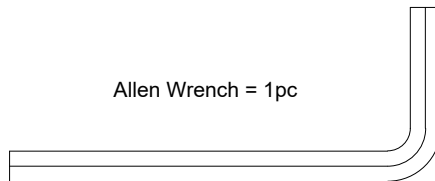


Plain Washers 1/4" = 8 pcs



DETAIL G

Allen Wrench = 1pc



STEP 4

FRONT RAIL ASSEMBLY

STEP 4.1

Both ends of the front rail have holes for the bolt to pass through that correspond to the holes on the posts for both side rail panels with pre-installed nuts. Attach the front rail frame to the side rail panels by using Allen bolts (BB) with lock washers and plain washers. See **DETAIL H**.

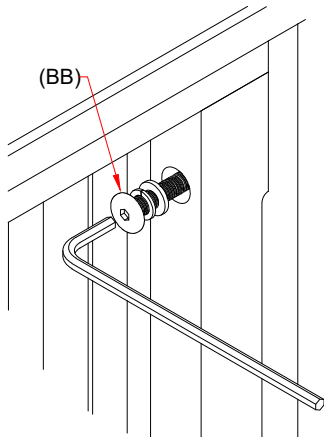
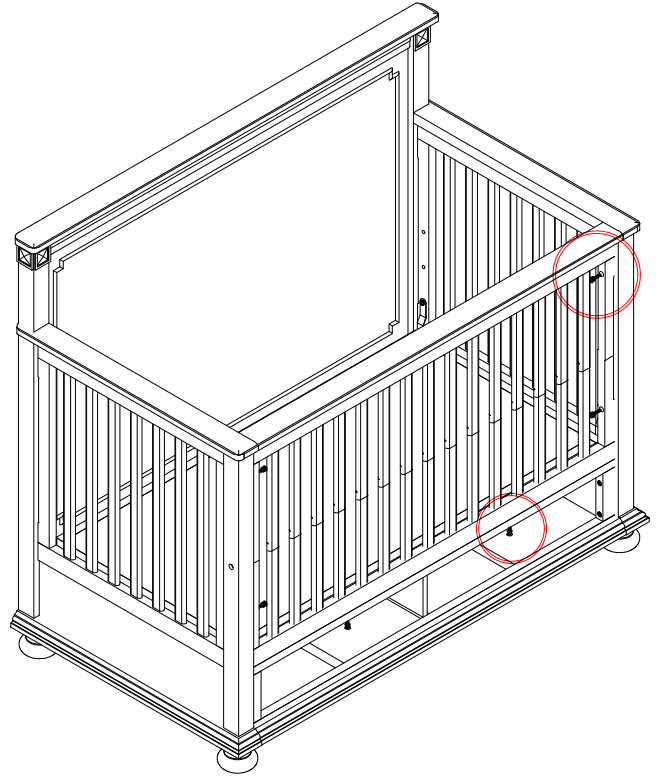
STEP 4.2

Use Allen bolts (BB), lock washers and plain washers to fix the storage to the front rail frame, as illustrated in **DETAIL I**.

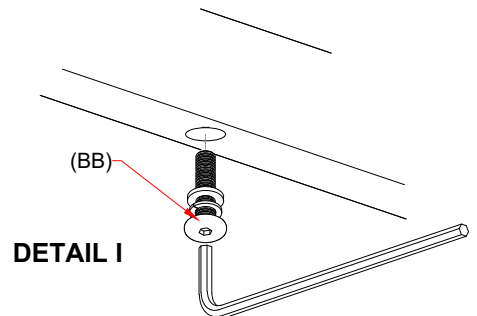
After assembly, re-tighten all bolts for a snug fit. **DO NOT OVER TIGHTEN.**

STEP 4.3

Return the drawers to the storage.



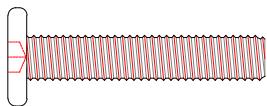
DETAIL H



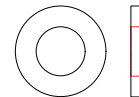
DETAIL I

HARDWARE NEEDED FOR STEP 4

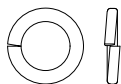
(BB) 1/4" x 1 1/4" Allen Bolt = 6 pcs



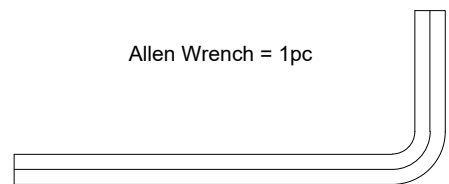
Plain Washers 1/4" = 6 pcs



Lock Washers 1/4" = 6 pcs



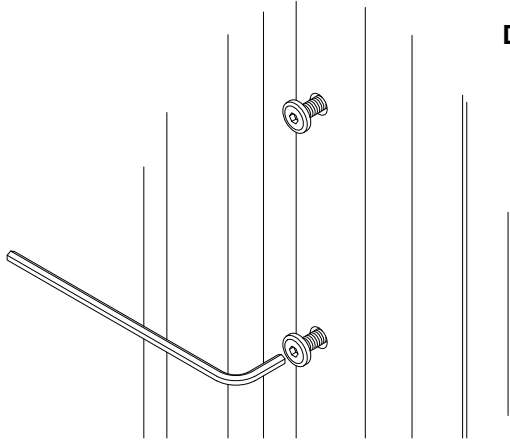
Allen Wrench = 1pc



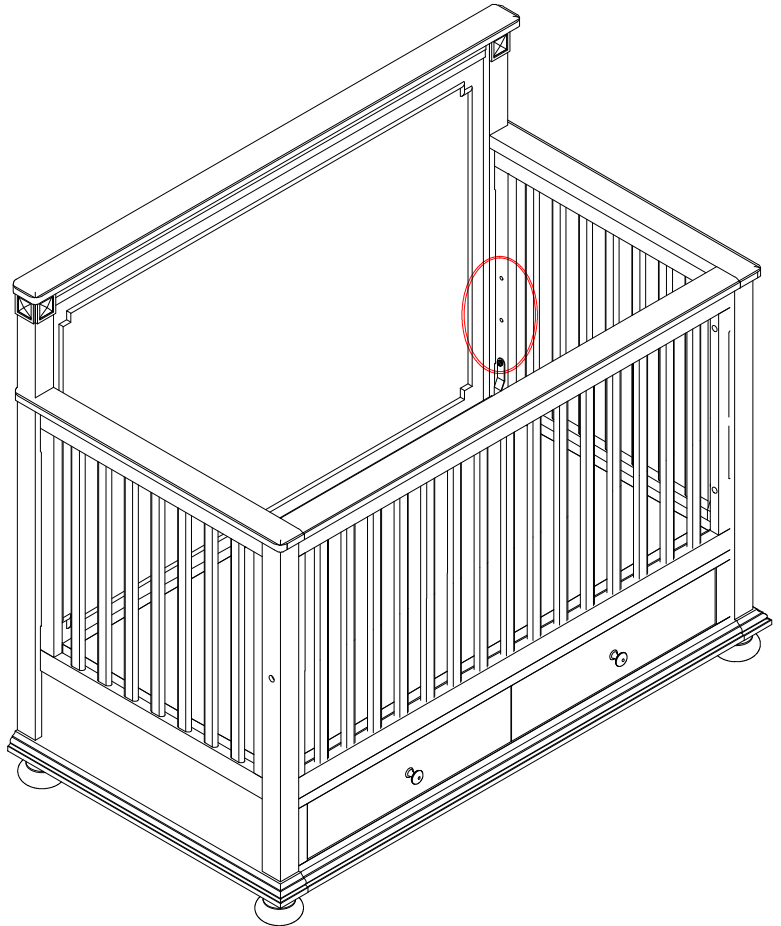
STEP 5

HIDE UNUSED HOLES

When the mattress support is on the middle or lowest setting, unused holes can hurt your child's fingers. Please use Allen bolts provided to hide these holes. See illustration in **DETAIL J**.

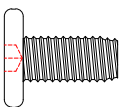


DETAIL J

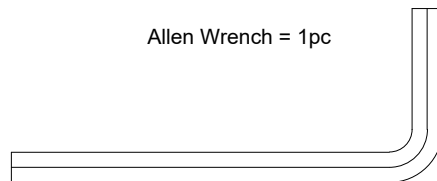


HARDWARE NEEDED FOR STEP 5

1/4" x 1/2" Allen Bolt = 8 pcs



Allen Wrench = 1pc



STEP 6

METAL BED FRAME ASSEMBLY

STEP 6.1

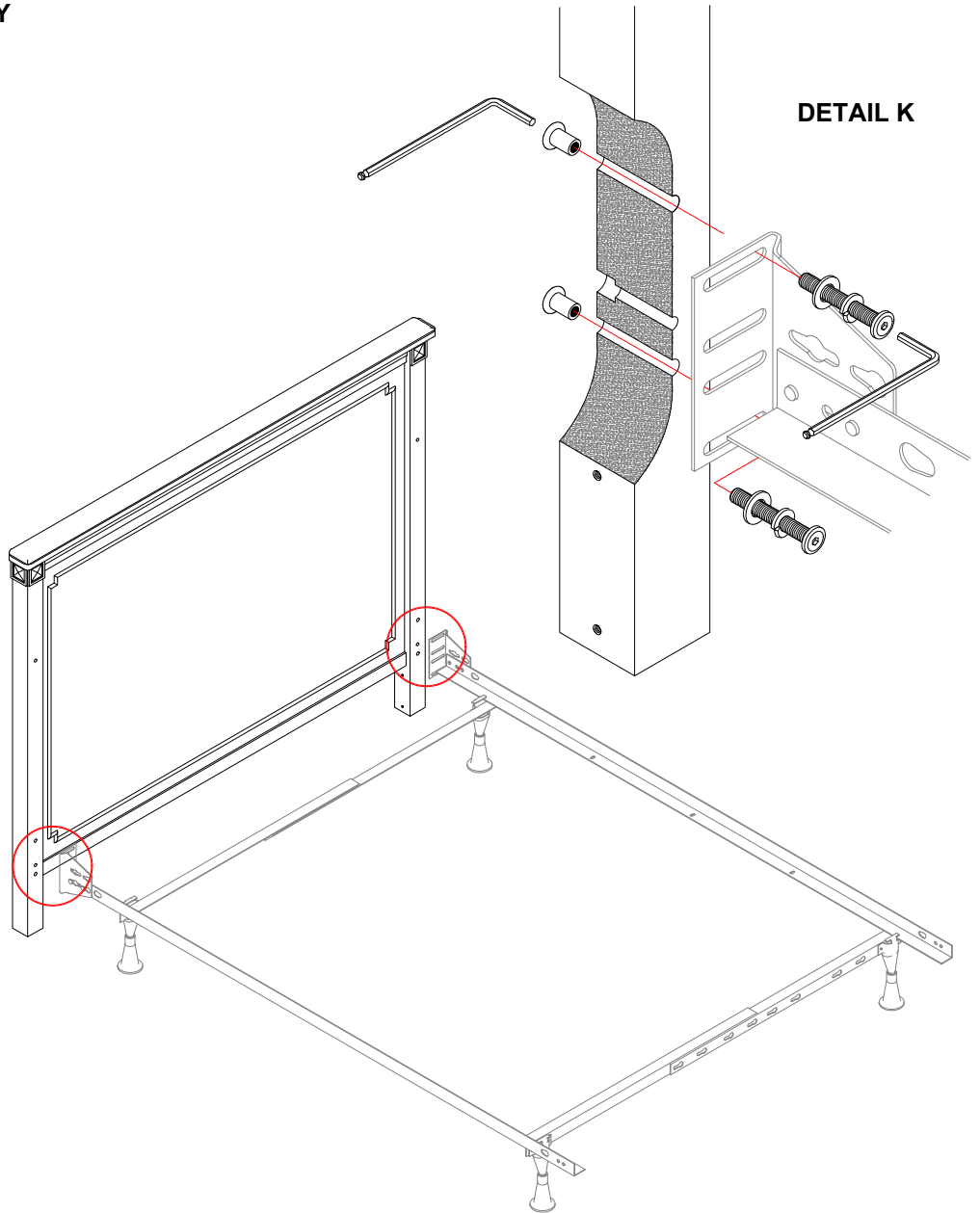
Loose all the bolts in crib to disassemble it.

STEP 6.2

Bring the headboard to its upright position.

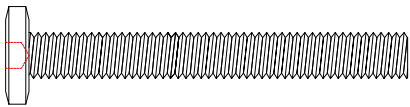
STEP 6.3

On the bottom of the headboard are holes for the bolts to pass through that correspond to the holes on the metal bed frame. Attach the metal bed frame to the headboard by inserting Allen bolts (FF) through lock washers and plain washers into the sleeve nut on the other side. See **DETAIL K**.



HARDWARE NEEDED FOR STEP 6

(FF) M6 x 50mm Allen Bolt = 4 pcs.



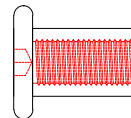
Lock Washers 1/4" = 4 pcs.



Plain Washers 1/4" = 4 pcs.



Sleeve Nut M6 = 4 pcs.



Allen Wrench = 2 pcs.

