

baby&child

RESTORATION HARDWARE

J A M E S O N W I D E D R E S S E R






FURNITURE TIPPING RESTRAINT INSTRUCTION

Young children may be injured by tipping furniture and the use of a tipping restraint is highly recommended.

When properly installed, this restraint could provide protection against the unexpected tipping of furniture due to small tremors, bumps or climbing. We recommend mounting this restraint to a wall stud.

WARNING : This product is only a deterrent. It is not a substitute for proper adult supervision.

PART LIST

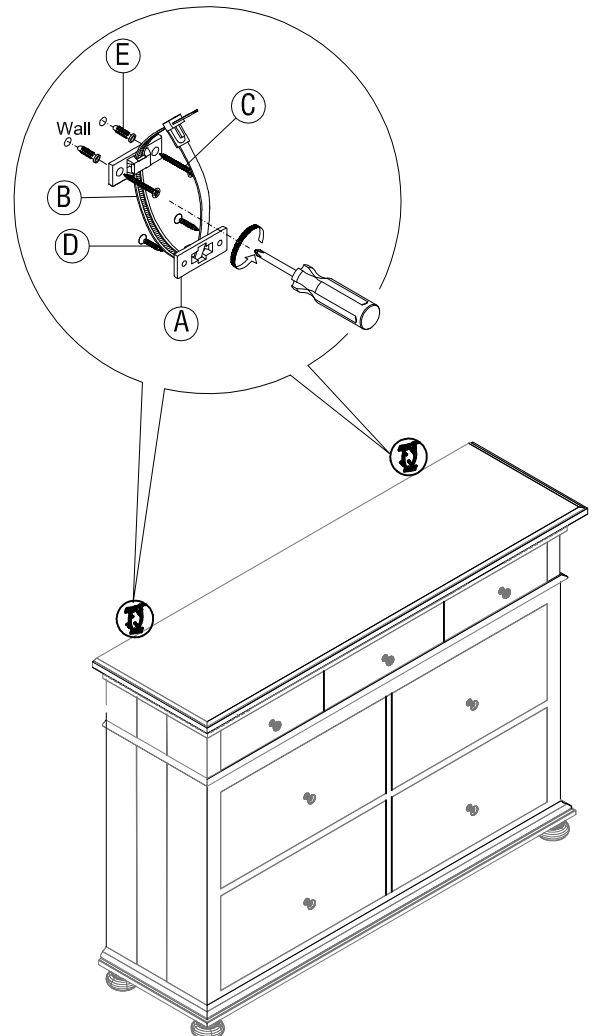
- | | | |
|---|-------------------------------|---|
| A | [4] PLASTIC BRACKET |  |
| B | [2] RESTRAINT STRAP |  |
| C | [4] PHILLIPS SCREWS M4 x 30mm |  |
| D | [4] PHILLIPS SCREWS M4 x 20mm |  |
| E | [4] PLASTIC ANCHOR |  |

INSTALLATION INSTRUCTION

1. Attach two of the mounting brackets near the top back edge of the furniture piece by inserting the shorter screw.
2. Determine the final position of the furniture piece. Mark locations on the wall approximately 2" below the brackets mounted to the back of the furniture.
3. Drill a shorter hole into the wall stud. If wall stud is not available, drill a hole into the wall and insert plastic anchor. Gently tap the anchor until the flange is flush with the wall.
4. Attach the second set of brackets by inserting the longer screw through the bracket and into the wall.
5. Place the furniture so that the brackets on the back edge are in line with the brackets in the wall.
6. Lace one end of the nylon restraint strap down through each bracket. Bring both ends together and slide the beaded end until it snap locks into the keyhole slot.
7. To double lock; return the beaded end back through the keyholes as shown.
8. Check to make sure the straps are securely laced and locked to the brackets

CARE INSTRUCTIONS:

- Dust often using a clean, soft, dry lint-free cloth.
- Blot spills immediately, and wipe with a clean, damp, cloth.
- We do not recommend the use of chemical cleansers, abrasives, or furniture polish on our lacquered finish



Thank you for your purchase
www.restorationhardware.com

baby&child

RESTORATION HARDWARE

JAMESON WIDE DRESSER TOPPER



WARNING: FALL HAZARD - To prevent death or serious injury from falls, always keep child within arm's reach, NEVER LEAVE CHILD UNATTENDED and always use restraining system.

This changing table is intended for use with children weighing up to 50 pounds.

Jameson Wide Dresser Topper will be used with Jameson Wide Dresser (sold separately) with size 60" W x 18" D x 36" H. Do not use Jameson Wide Dresser or topper if damaged or broken.

Customer Service - If you are missing parts or have any questions about this product, please contact us at: 1-800-762-1751

IMPORTANT SAFETY INSTRUCTIONS:

Please read all instructions before use of the dresser or topper.

For your safety, assembly by two or more adults is recommended.

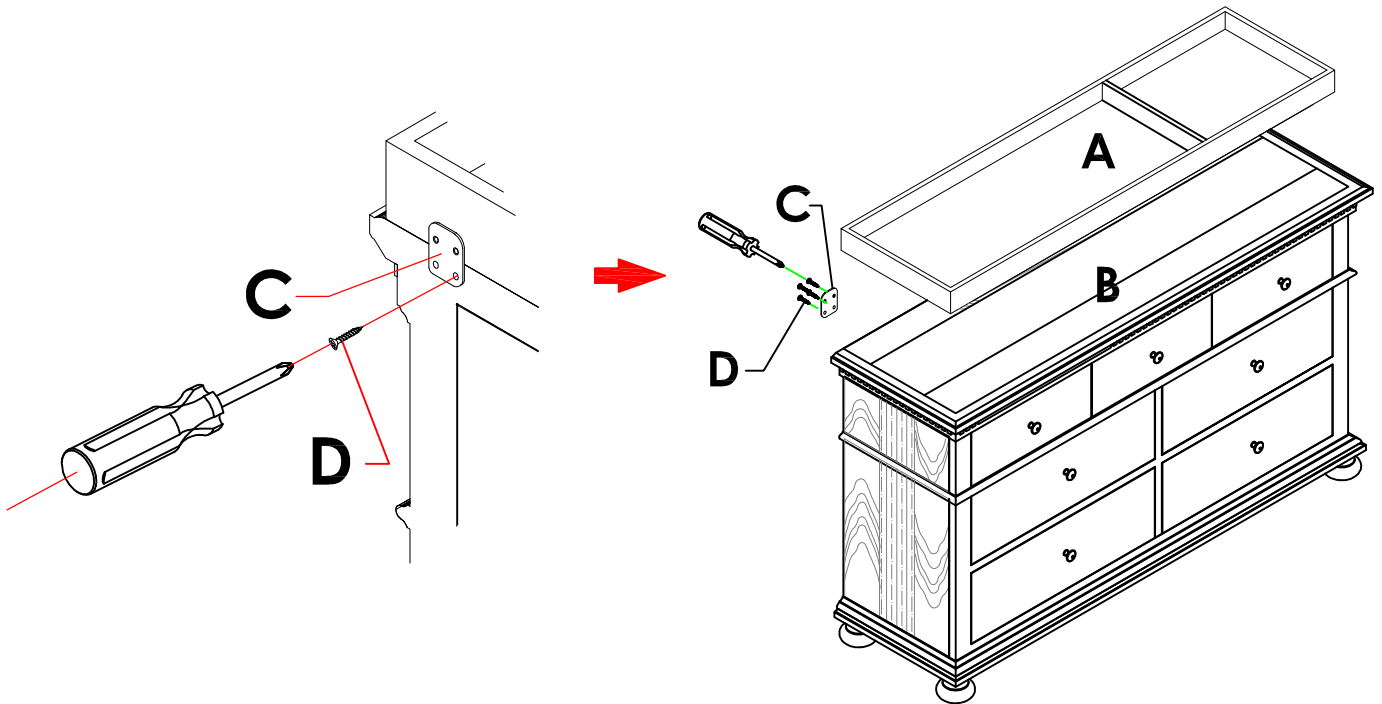
Keep instructions for future use.

PART LIST

- A. [1] JAMESON WIDE DRESSER TOPPER
- B. [1] JAMESON WIDE DRESSER
- C. [2] METAL BRACKET
- D. [8] PHILIPS WOOD SCREW

TOPPER ASSEMBLY INSTRUCTION

Place the wide dresser topper [A] on top of the wide dresser [B], and check the distance on both sides to make sure the wide dresser topper is centered correctly. Secure the metals brackets [C] to the back of the wide dresser [B] and to the back of the wide dresser topper [A] with screws [D].



CARE INSTRUCTIONS:

- Dust often using a clean, soft, dry lint-free cloth.
- Blot spills immediately, and wipe with a clean, damp, cloth.
- We do not recommend the use of chemical cleansers, abrasives, or furniture polish on our lacquered finish

Thank you for your purchase
www.rhbabyandchild.com