

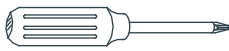
# RH BABY & CHILD

## JEUNE FRENCH CONTEMPORARY QUEEN/FULL PLATFORM CANOPY BED – ASSEMBLY INSTRUCTIONS

### PARTS INCLUDED:

- A [1] HEADBOARD PANEL
- B [1] FOOTBOARD
- C [2] SIDE RAILS
- D [3] SUPPORT LEGS
- E [3] SLATS
- F [2] PLATFORM PANELS
- G [2] CANOPY RAILS

### TOOLS NEEDED:




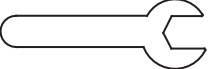

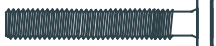






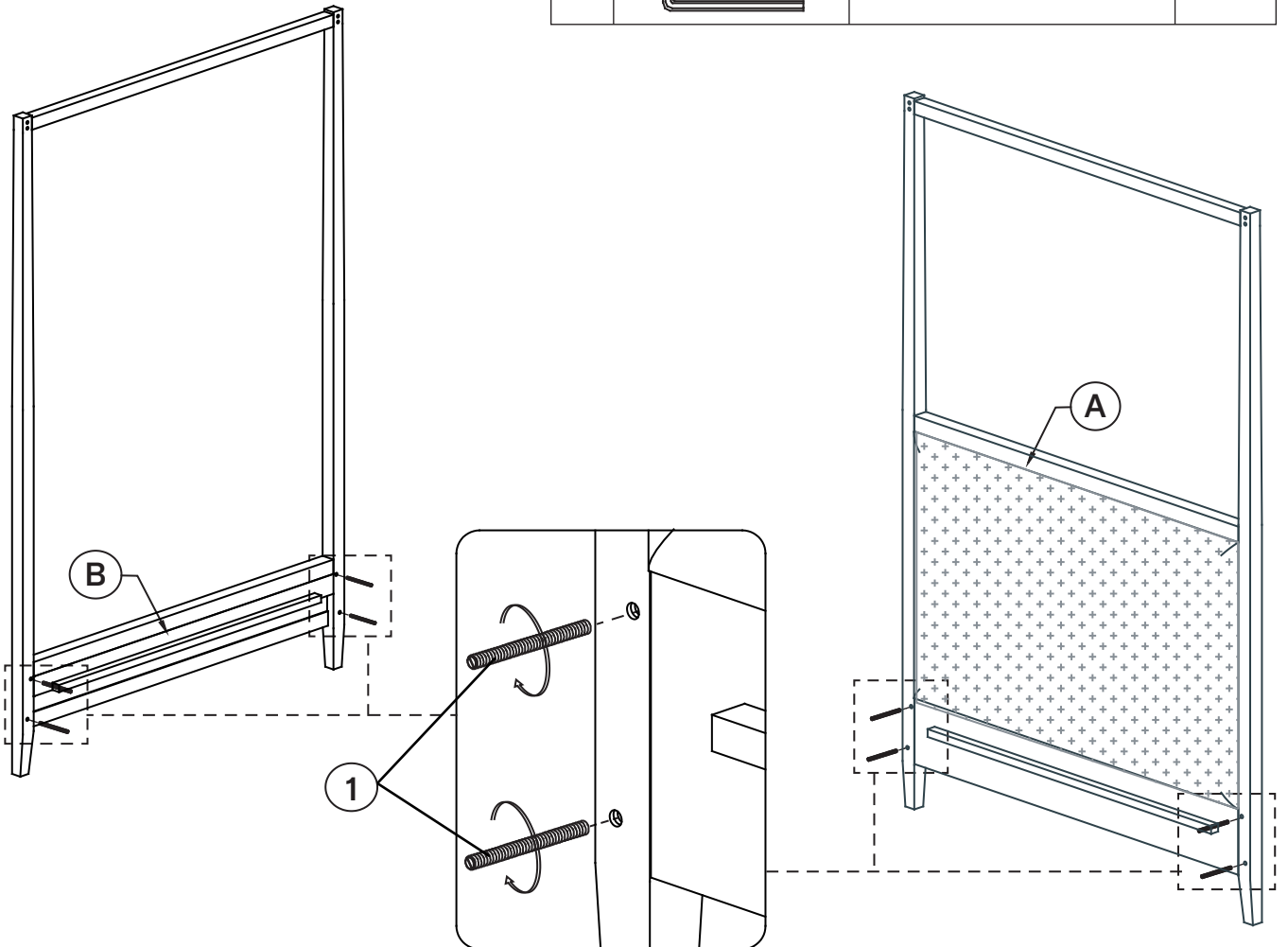
Phillips-head screwdriver (not included)

### ASSEMBLY INSTRUCTIONS:

#### STEP 1:

Insert the Threaded Rods (1) into the Headboard (A) and the Footboard (B).

NO.	ITEM	DESCRIPTION	QTY.
1		Threaded Rod 5/16" x 3"	8 pcs.
2		Curved Slotted Washer 5/16"	8 pcs.
3		Hex Nut 5/16" x 12 mm	8 pcs.
4		Hex Wrench 12 mm	1 pc.
5		Screw 8 x 30 mm	26 pcs.
6		Long Bolt 5/16" x 2 3/4"	4 pcs.
7		Half Moon Washers	4 pcs.
8		Flat Washer 5/16"	4 pcs.
9		Spring Washer 5/16"	4 pcs.
10		Allen Key 4 mm	1 pc.

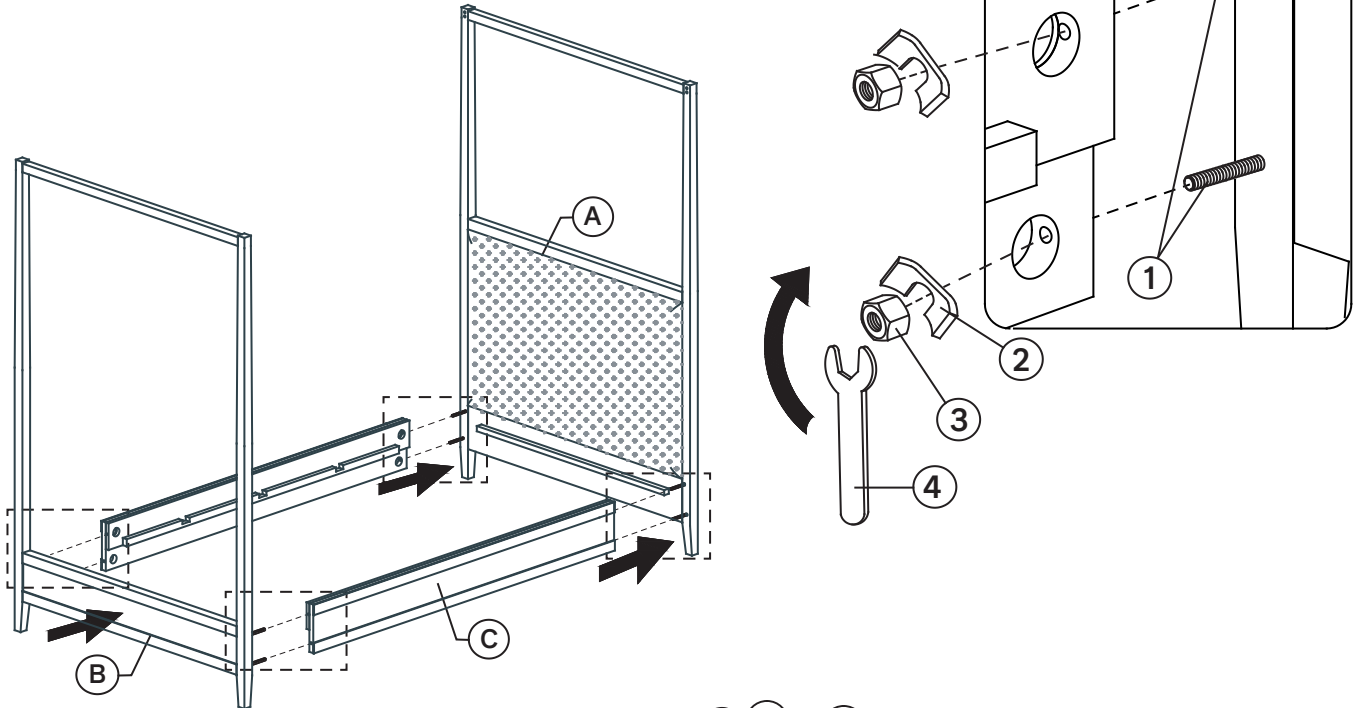


# RHBABY&CHILD

## JEUNE FRENCH CONTEMPORARY QUEEN/FULL PLATFORM CANOPY BED – ASSEMBLY INSTRUCTIONS

### STEP 2:

Slide the Side Rails (C) to the Headboard (A) and the Footboard (B). Insert Curved Slotted Washers (2) and Hex Nut (3), and tighten with Hex Wrench (4). **DO NOT FULLY TIGHTEN AT THIS TIME.**



### STEP 3:

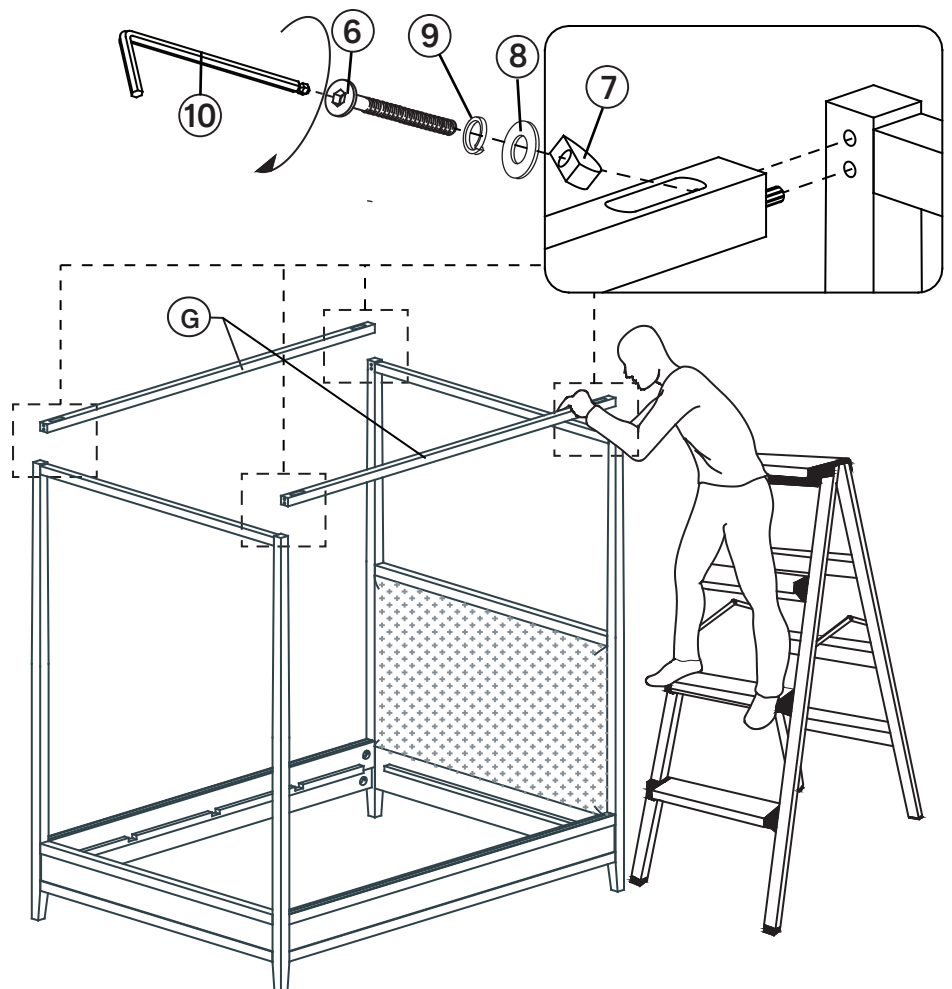
#### NOTE:

- PLEASE USE A LADDER WHILE ASSEMBLING THE CANOPY.
- MAKE SURE THE LADDER IS STABLE AND SAFE BEFORE YOU CLIMB UP/DOWN.

Position the Canopy Rails (G) between the Headboard Panel (A) and the Footboard (B) by aligning the wooden dowels on the canopy with the pre-drilled holes on the Headboard Panel (A) and the Footboard (B).

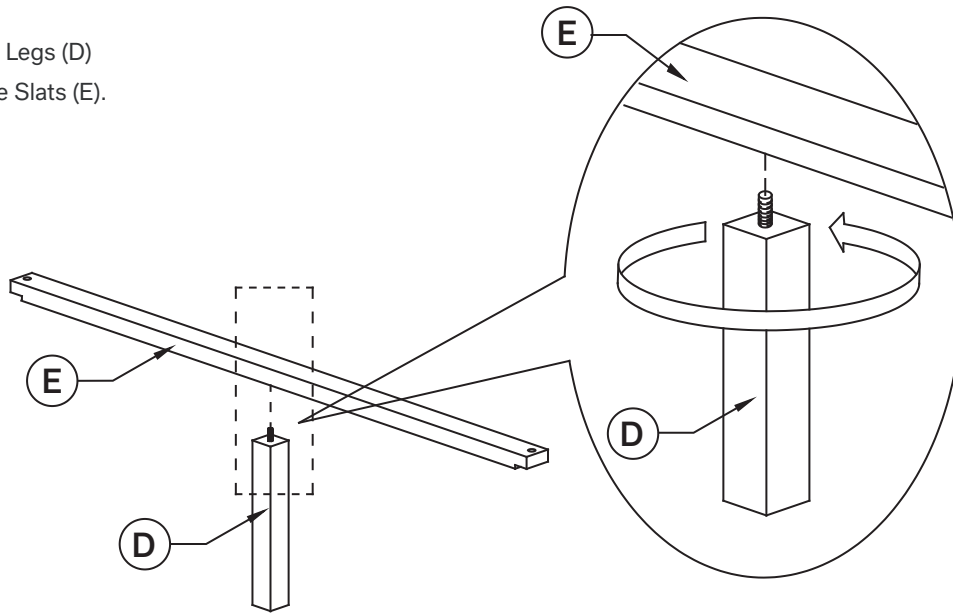
Insert Long Bolt (6), Spring Washer (9), Flat Washer (8), and Half Moon Washer (7), and tighten with Allen Key (10).

**RETURN TO EACH BOLT AND TIGHTEN TO SNUG FIT. DO NOT OVERTIGHTEN.**



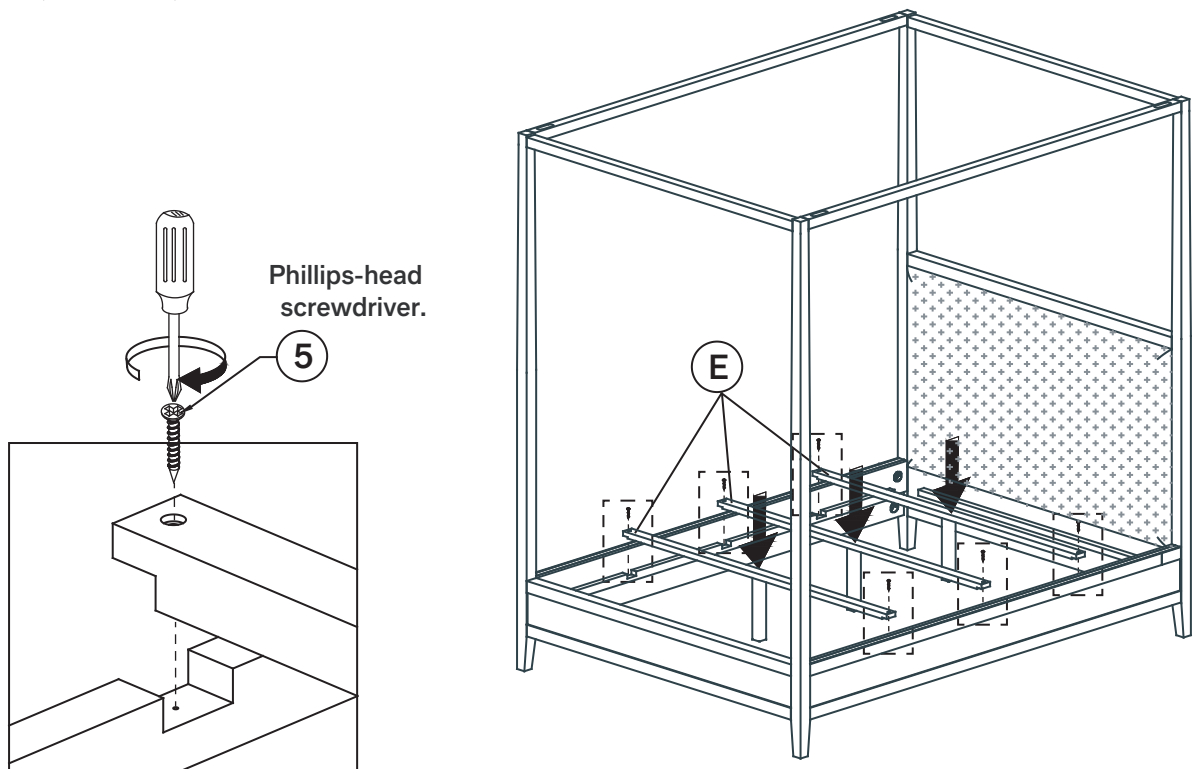
### STEP 4:

Attach the Support Legs (D) to the bottom of the Slats (E).



### STEP 5:

Lay the Slats (E) between the Side Rails (C), then attach using Screws (5) and a Phillips-head screwdriver (not included).

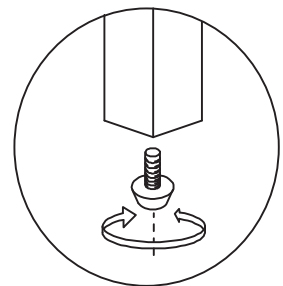
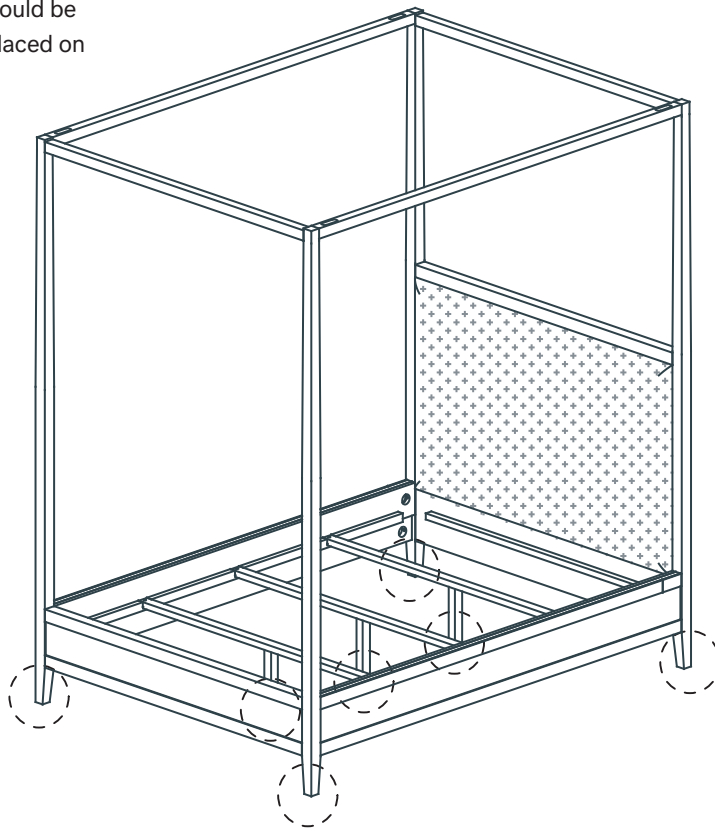


# RHBABY&CHILD

## JEUNE FRENCH CONTEMPORARY QUEEN/FULL PLATFORM CANOPY BED – ASSEMBLY INSTRUCTIONS

### STEP 6:

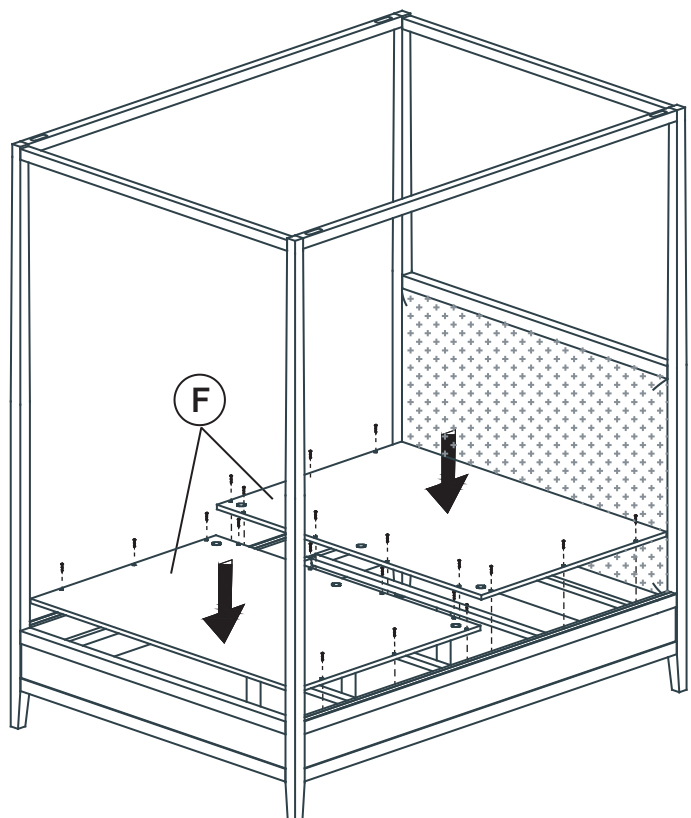
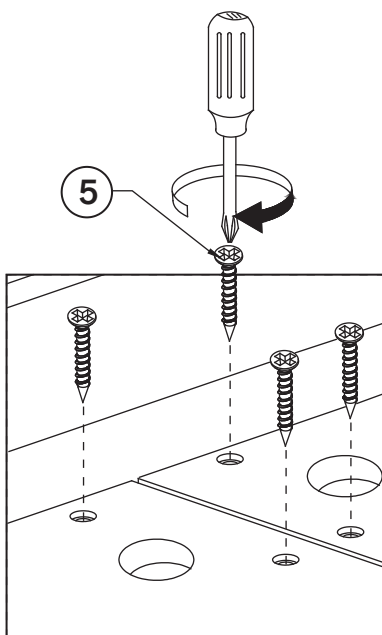
The adjustable levels should be used when the object is placed on an uneven floor.



Can be adjusted by using leveler.

### STEP 7:

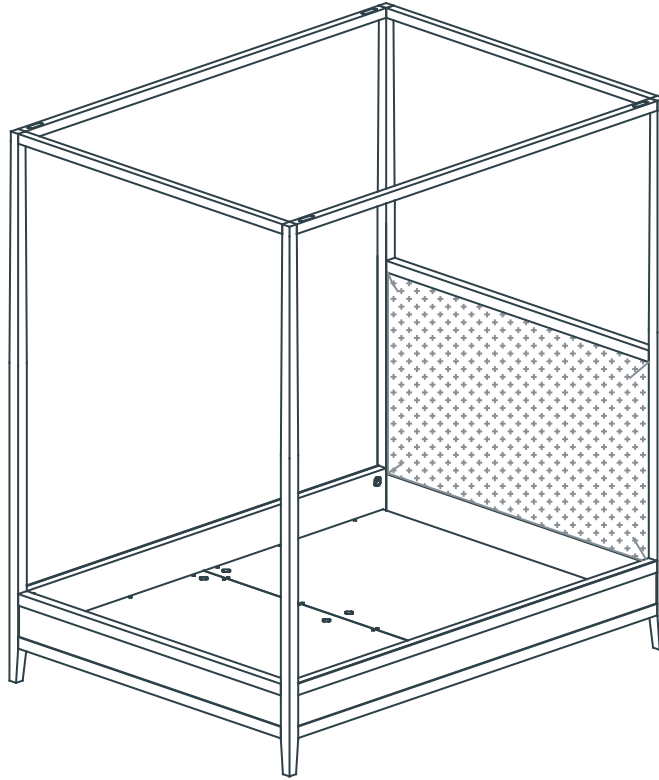
Lay the Platform Panels (F) on top of the Slats (E) and attach using Screws (5) and a Phillips-head screwdriver.



### STEP 8:

Assembly is complete.

**Note:** Maximum load rating 800lbs.



### CARE INSTRUCTIONS

- Dust often using a soft, dry cloth.
- Blot spills immediately and wipe with a clean, damp cloth.
- Do not use chemical cleaners, abrasives or furniture polish on the lacquered finish.