

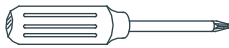
# RHBABY&CHILD

## JEUNE FRENCH CONTEMPORARY TWIN PLATFORM CANOPY BED – ASSEMBLY INSTRUCTIONS

### PARTS INCLUDED:

- A [1] HEADBOARD PANEL
- B [1] FOOTBOARD
- C [2] SIDE RAILS
- D [3] SLATS
- E [2] PLATFORM PANELS
- F [2] CANOPY RAILS

### TOOLS NEEDED:




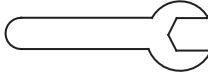

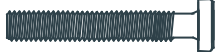






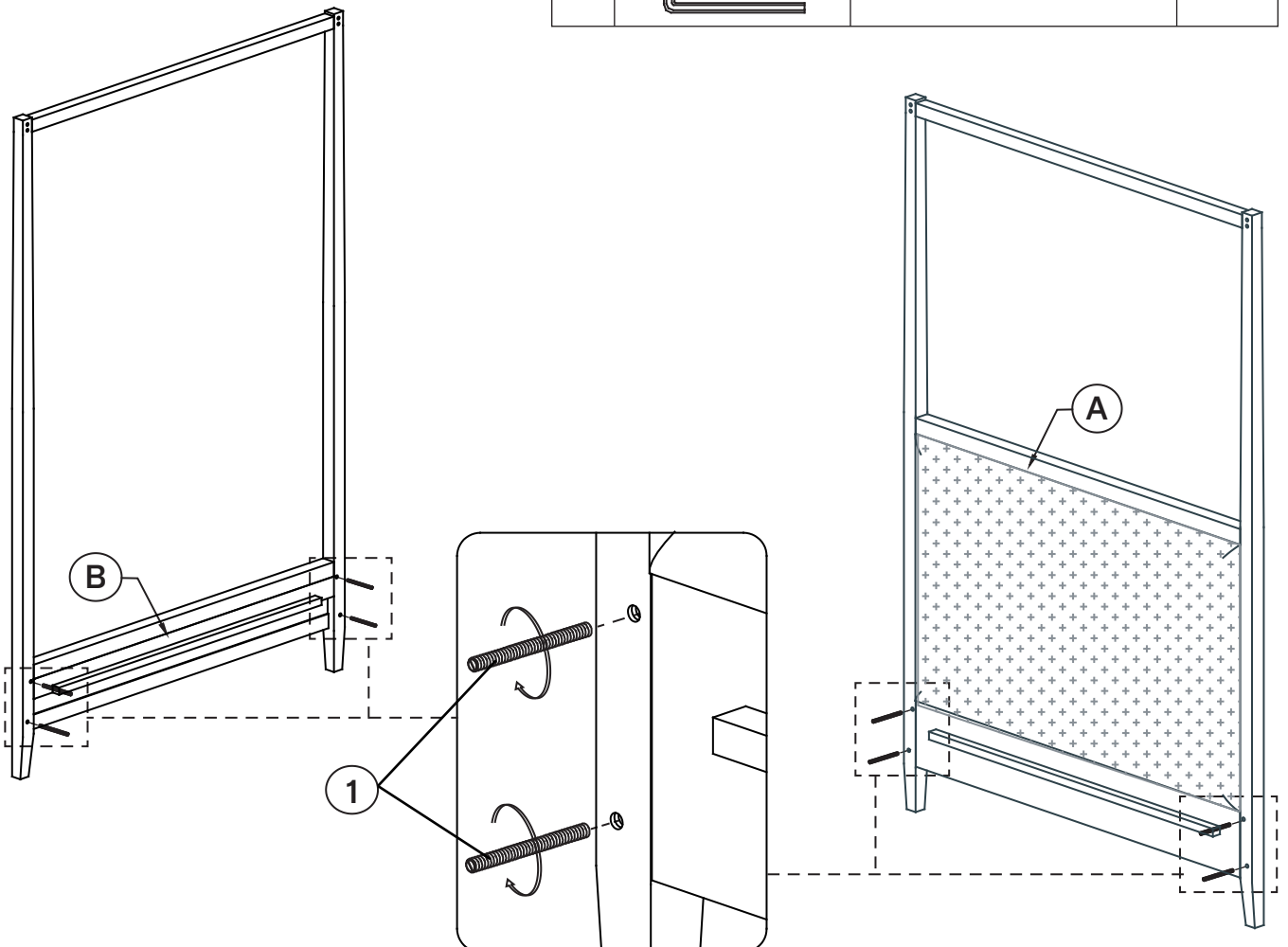
Phillips-head screwdriver (not included)

### ASSEMBLY INSTRUCTIONS:

#### STEP 1:

Insert the Threaded Rods (1) into the Headboard (A) and the Footboard (B).

NO.	ITEM	DESCRIPTION	QTY.
1		Threaded Rod 5/16" x 3"	8 pcs.
2		Curved Slotted Washer 5/16"	8 pcs.
3		Hex Nut 5/16" x 12mm	8 pcs.
4		Hex Wrench 12mm	1 pc.
5		Screw 8 x 30mm	26 pcs.
6		Long Bolt 5/16" x 2 3/4"	4 pcs.
7		Half Moon Washer	4 pcs.
8		Flat Washer 5/16"	4 pcs.
9		Spring Washer 5/16"	4 pcs.
10		Allen Key 4mm	1 pc.

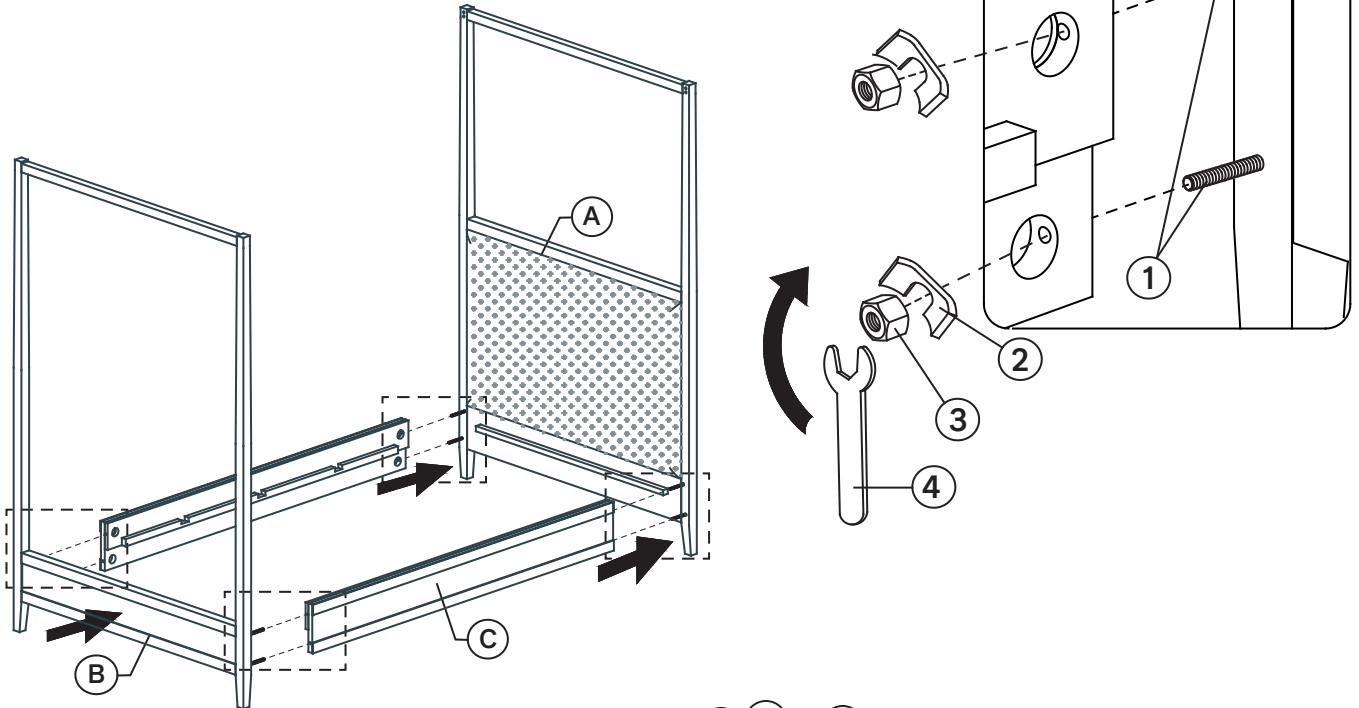


# RH BABY & CHILD

## JEUNE FRENCH CONTEMPORARY TWIN PLATFORM CANOPY BED – ASSEMBLY INSTRUCTIONS

### STEP 2:

Slide the Side Rails (C) to the Headboard (A) and the Footboard (B). Insert Curved Slotted Washers (2), and Hex Nut (3) and tighten with Hex Wrench (4). **DO NOT FULLY TIGHTEN AT THIS TIME.**



### STEP 3:

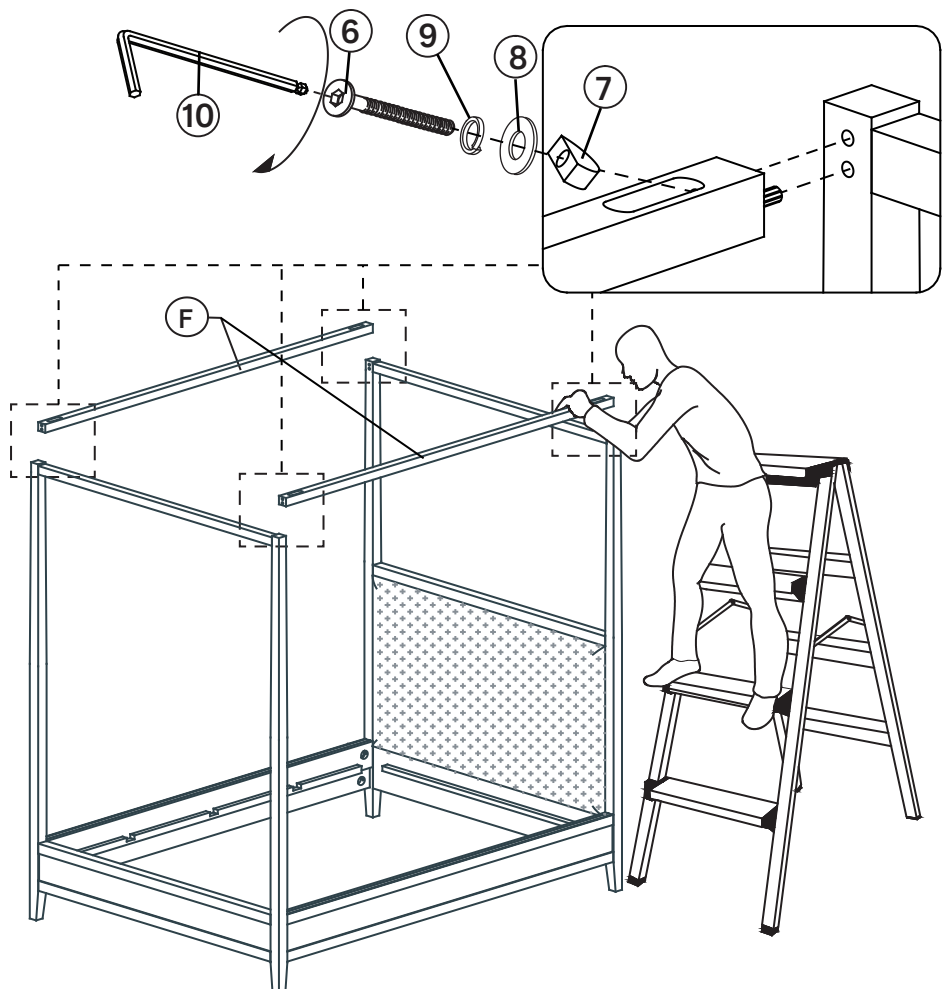
#### NOTE:

- PLEASE USE A LADDER WHILE ASSEMBLING THE CANOPY.
- MAKE SURE THE LADDER IS STABLE AND SAFE BEFORE YOU CLIMB UP/DOWN.

Position the Canopy Rails (F) between the Headboard Panel (A) and the Footboard (B) by aligning the wooden dowels on the canopy with the pre-drilled holes on the Headboard Panel (A) and the Footboard (B).

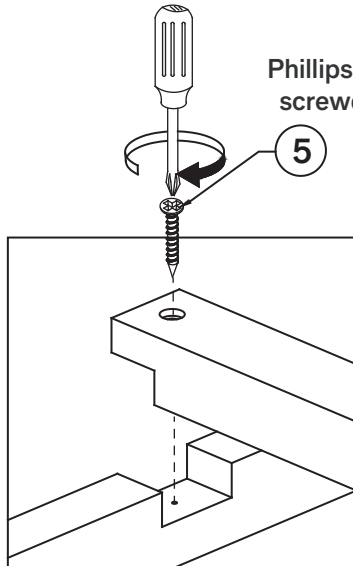
Insert Long Bolt (6), Spring Washer (9), Flat Washer (8), and Half Moon Washer (7), and tighten with Allen Key (10).

**RETURN TO EACH BOLT AND TIGHTEN TO SNUG FIT. DO NOT OVERTIGHTEN.**



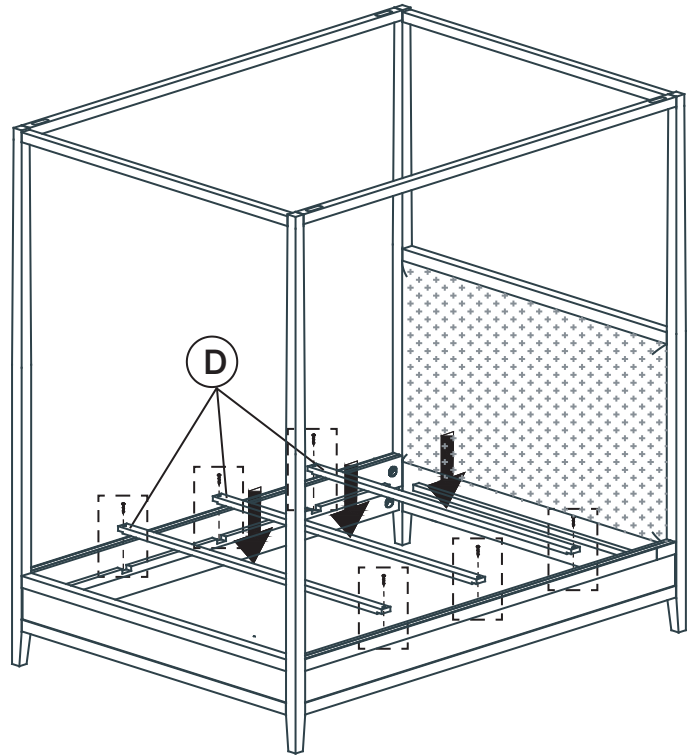
### STEP 4:

Lay the Slats (D) between the Side Rails (C), then attach using Screws (5) and Phillips-head screwdriver (not included).



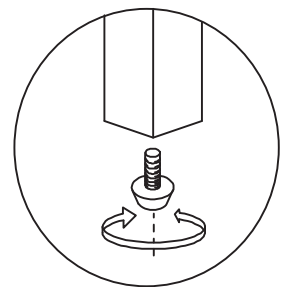
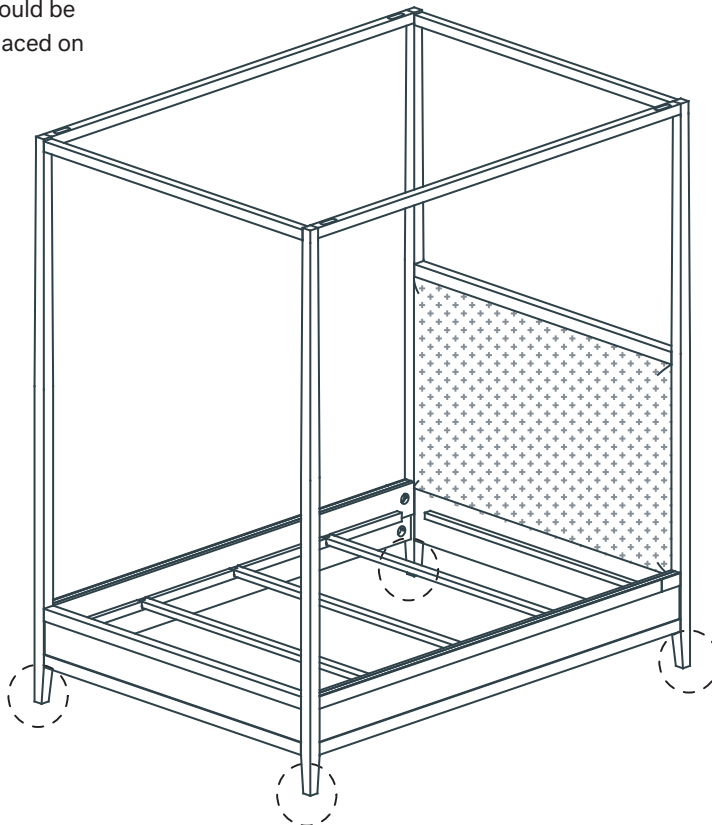
Phillips-head  
screwdriver.

5



### STEP 5:

The adjustable levelers should be used when the object is placed on an uneven floor.



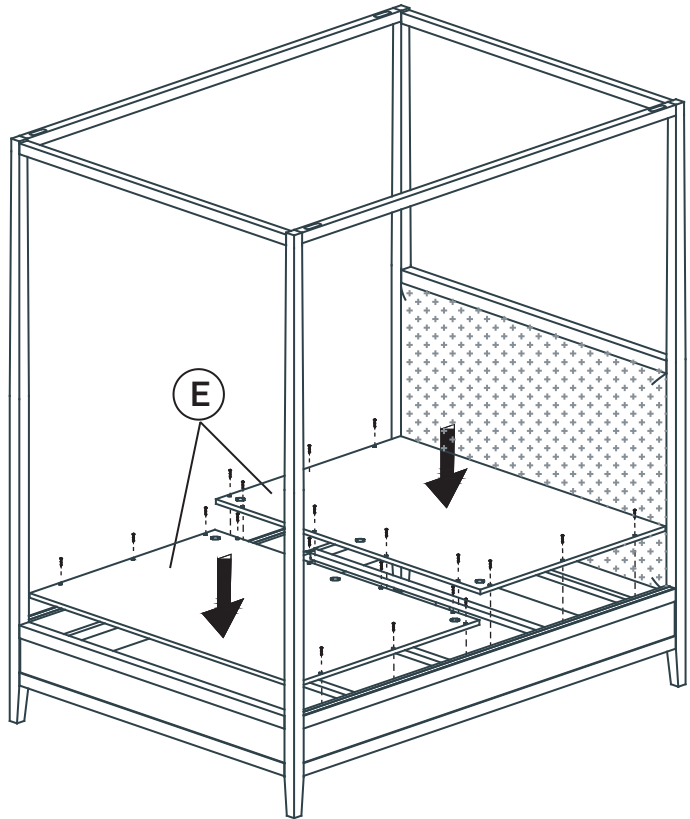
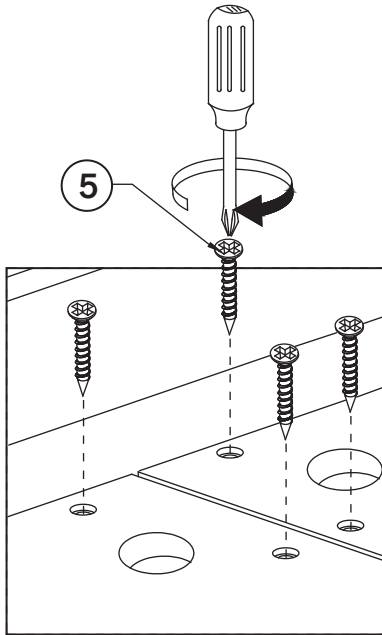
Can be adjusted  
by using leveler.

# RHBABY&CHILD

## JEUNE FRENCH CONTEMPORARY TWIN PLATFORM CANOPY BED – ASSEMBLY INSTRUCTIONS

### STEP 6:

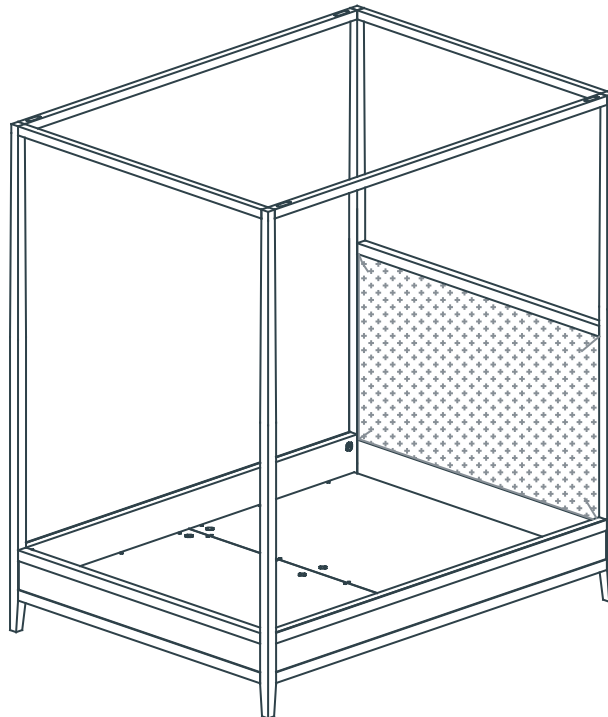
Lay the Platform Panels (E) on top of the Slats (D) and attach using Screws (5) and a Phillips-head screwdriver.



### STEP 7:

Assembly is complete.

**Note:** Maximum load rating 500lbs.



### CARE INSTRUCTIONS

- Dust often using a soft, dry cloth.
- Blot spills immediately and wipe with a clean, damp cloth.
- Do not use chemical cleaners, abrasives or furniture polish on the lacquered finish.