

RHBABY&CHILD

JEUNE FRENCH CONTEMPORARY LARGE DRESSER ANTI-TIP KIT-ASSEMBLY INSTRUCTIONS

PARTS INCLUDED

A [1] LARGE DRESSER

TOOLS NEEDED



PHILLIPS-HEAD SCREWDRIVER (NOT INCLUDED)

ANTI-TIPPING RESTRAINT:


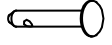



YOUNG CHILDREN MAY BE INJURED BY TIPPING FURNITURE. THE USE OF AN ANTI-TIPPING RESTRAINT IS HIGHLY RECOMMENDED. WHEN PROPERLY INSTALLED, THIS RESTRAINT COULD PROVIDE PROTECTION AGAINST THE UNEXPECTED TIPPING OF FURNITURE DUE TO SMALL TREMORS, BUMPS OR CLIMBING. **WE RECOMMEND ATTACHMENT TO A WALL STUD WHERE POSSIBLE, OR INSTALLATION BY A PROFESSIONAL WHEN ATTACHING THE ANTI-TIP KIT TO MASONRY OR A CONCRETE WALL.**

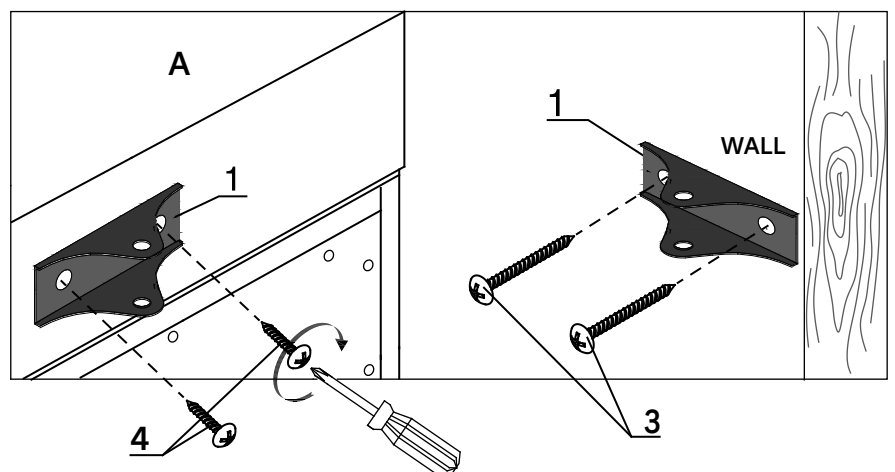
WARNING:

THE ANTI-TIPPING RESTRAINT IS ONLY A DETERRENT. IT IS NOT A SUBSTITUTE FOR PROPER ADULT SUPERVISION.

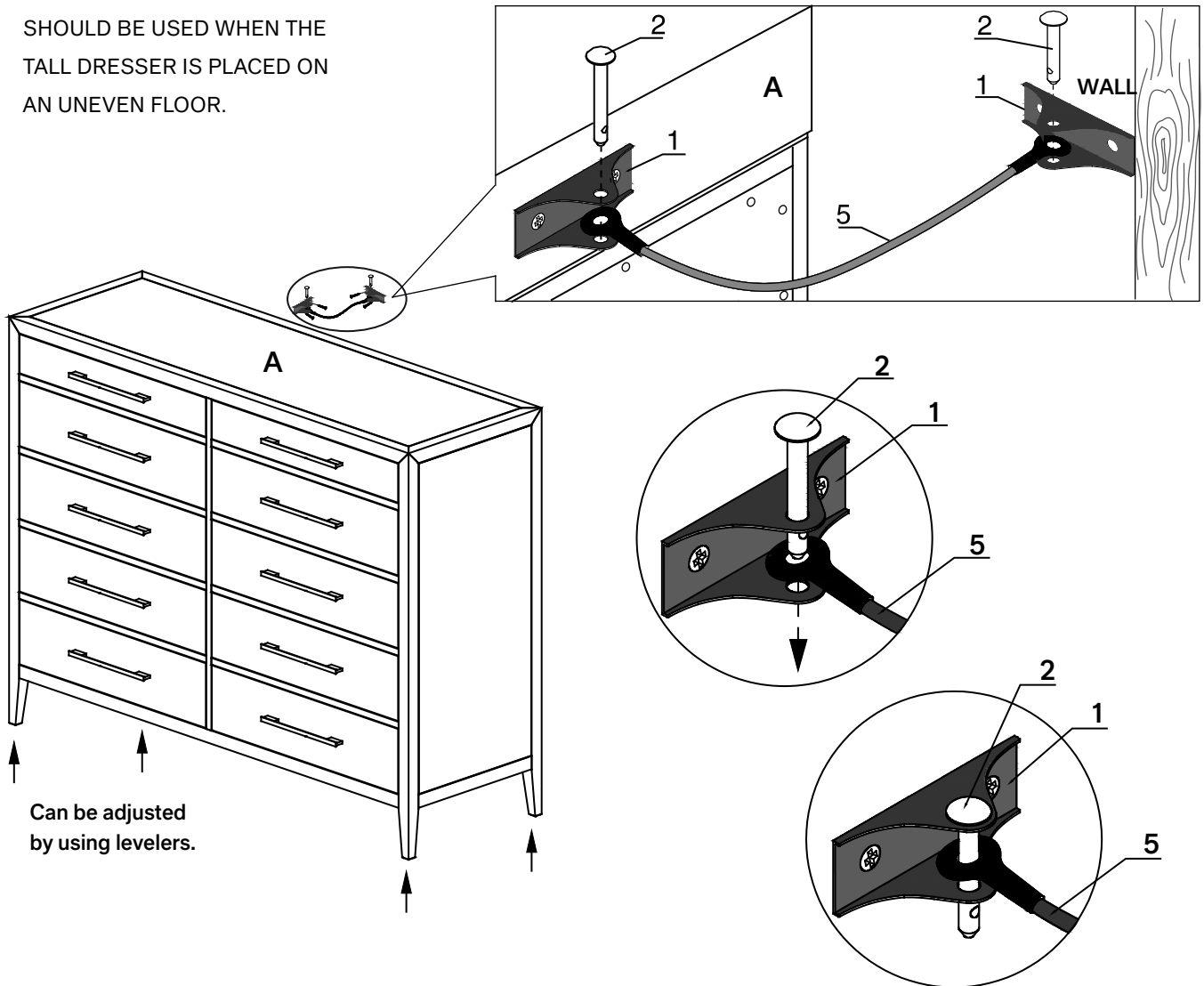
ASSEMBLY INSTRUCTIONS:

1. ATTACH METAL BASES (1) TO THE TALL DRESSER (A) AND THE WALL USING THE SCREWS PROVIDED (3, 4).
2. PLACE THE TWO ENDS OF METAL CABLE (5) IN THE MIDDLE OF METAL BASE AND CONNECT THEM WITH METAL PLUGS (2) THROUGH THE HOLES IN THE METAL BASE AND WIRE HEAD.

NO.	ITEM	DESCRIPTION	QTY.
1		Metal Base	2 pcs.
2		Metal Plug	2 pcs.
3		Phillips Screws M4 x 37mm	2 pcs.
4		Phillips Screws M4 x 16mm	2 pcs.
5		Metal Cable	1 pc.



3. THE ADJUSTABLE LEVELERS SHOULD BE USED WHEN THE TALL DRESSER IS PLACED ON AN UNEVEN FLOOR.



CARE INSTRUCTIONS:

1. DUST OFTEN USING A CLEAN, SOFT, DRY AND LINT-FREE CLOTH.
2. BLOT SPILLS IMMEDIATELY AND WIPE WITH A CLEAN, DAMP CLOTH.
3. DO NOT USE CHEMICAL CLEANERS, ABRASIVES OR FURNITURE POLISH ON THE LACQUERED FINISH.