


# RHBABY&CHILD

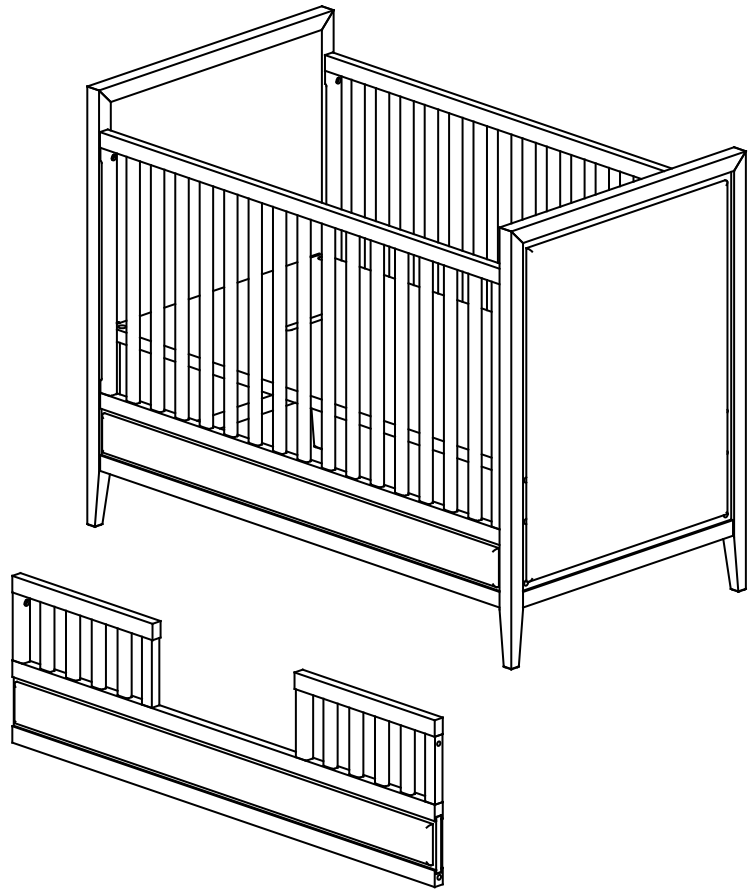
## JEUNE FRENCH CONTEMPORARY UPHOLSTERED PANEL CRIB/TODDLER BED KIT – ASSEMBLY INSTRUCTIONS Model No: 1079 - 13/14

**Made in Vietnam**

Distributed in the U.S.A. by:  
RH Baby & Child  
2900 N MACARTHUR DRIVE  
TRACY, CA 95376  
www.rhbabyandchild.com

Distributed in Canada by:  
RH Canada, Inc.  
1500-1055 West Georgia Street  
Vancouver, British Columbia V6E4N7

 **WARNING:** Read all instructions before assembling this product.  
KEEP INSTRUCTIONS FOR FUTURE USE.



**TODDLER BED CONVERSION KIT (SOLD SEPARATELY)**

### CUSTOMER SERVICE

If you are missing parts or have any questions about this product, contact us first. You can also order parts by writing to the address above. Include the product model number, color, and a brief description of the part. Or call 1-800-762-1751.

### CARE AND CLEANING

DO NOT scratch or chip the finish. DO NOT use abrasive chemicals for cleaning. If the crib is to be stored, store in a cool, dry place and carefully package all original hardware to protect from loss.

### TOOLS AND INSTALLATION

Tools needed: key wrench (included)

Two people are recommended for assembly.

When inserting bolts, turn clockwise until tight. Then loosen 1/2-3/4 of a turn. After bed is completely assembled, return to each bolt and tighten.



**WARNING:** Infants can suffocate on soft bedding. Never add a pillow or comforter. Never place additional padding under an infant.



**WARNING:** Failure to follow these warnings and the assembly instructions could result in serious injury or death.

- Never use plastic shipping bags or other plastic film as a mattress cover because they can cause suffocation.
- Infants can suffocate in gaps between crib sides and a mattress that is too small.
- To reduce the risk of SIDS, pediatricians recommend healthy infants be placed on their backs to sleep, unless otherwise advised by your physician.

## Strangulation Hazard:

- Strings can cause strangulation! DO NOT place items with a string around a child's neck, such as hood strings or pacifier cords. DO NOT suspend strings over a crib or attach strings to toys.
- To help prevent strangulation, tighten all fasteners. A child can trap parts of their body or clothing on loose fasteners.
- DO NOT place the crib near a window, where cords from blinds or drapes may strangle a child.

## Fall Hazard:

- When child is able to pull up to a standing position, set mattress to lowest position and remove bumper pads, large toys and other objects that could serve as steps for climbing out.
- When child is able to climb out or reaches the height of 35 inches (89 cm), the crib should no longer be used, and the child should be placed in a youth or regular bed.
- Check this product for damaged hardware, loose joints, missing parts or sharp edges before and after assembly and frequently during use. DO NOT use crib if any parts are missing, damaged or broken.
- Contact customer service at 1-800-762-1751 for replacement parts and instructional literature if needed.
- DO NOT substitute parts.
- DO NOT use a water mattress with this crib.
- If refinishing, use a non-toxic finish specified for children's products.
- Follow warnings on all products in the crib.
- Never use plastic shipping bags or other plastic film as a mattress cover because they can cause suffocation.
- Infants can suffocate in gaps between crib sides and a mattress that is too small.

**CAUTION:** ANY MATTRESS USED IN THIS CRIB MUST BE AT LEAST 27 1/4 INCHES BY 51 5/8 INCHES WITH A THICKNESS NOT EXCEEDING 6 INCHES.



**WARNING:**

- Do not use this crib if the enclosed or attached instructions cannot be strictly adhered to. Do not use this crib if the child is able to climb out unaided or is taller than 35 inches (890 mm). Do not place cords, straps or similar items that could become wound around the child's neck in or near this crib. Ensure that the sides are properly latched or locked in place when the crib is occupied. The mattress used with this crib should not be more than 5 7/8 inches (150 mm) thick and should be of such length and width that the gap between the mattress and the sides of the crib does not exceed 1 3/16 inches (30 mm) when the mattress is pushed into the corner of the crib.
- Parents should inspect the crib regularly before putting the child in the crib each day and confirm that every component of the crib is properly and securely in place.



## **WARNING: ENTRAPMENT/STRANGULATION HAZARD**

Infants have died in toddler beds from entrapment and strangulation. Failure to follow these warnings and the assembly instructions could result in serious injury or death.

NEVER use bed with children under 15 months.

NEVER place bed near windows where cords from blinds or drapes may strangle a child.

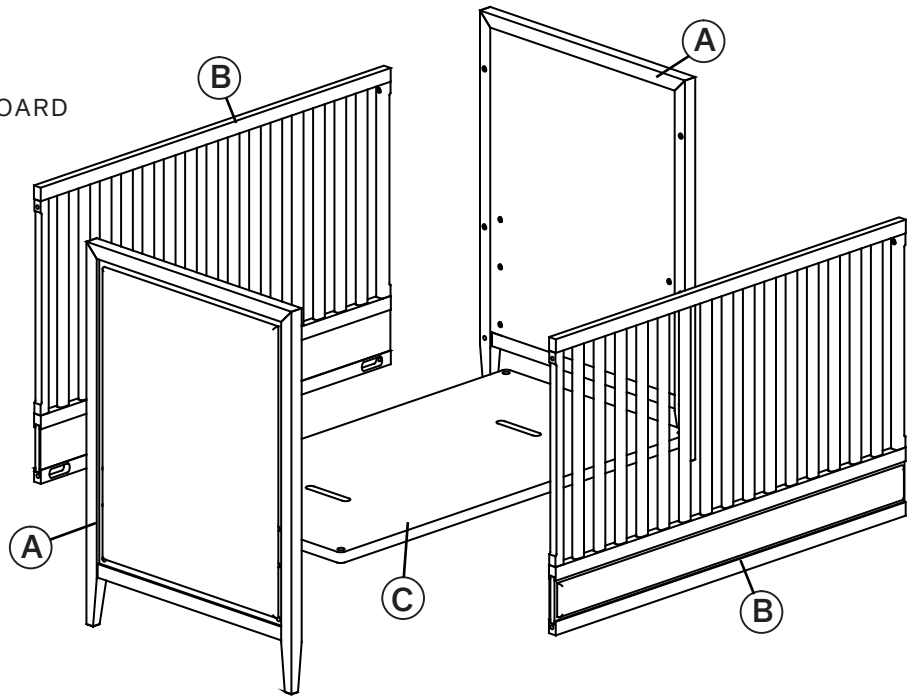
- The mattress intended for use on the bed must be a full-size crib mattress having minimum dimensions of 51 5/8 inches (1310 mm) in length, 27 1/4 inches (690 mm) in width and 4 inches (100 mm) in thickness, not exceeding 6 inches (152 mm) in thickness.
- If guardrails are used as the mattress containment means, the guardrail(s) provided must be used to avoid the formation of a gap between the mattress and the bed which could cause an entrapment.
- DO NOT place bed near windows where cords from blinds or drapes may strangle a child.
- DO NOT place items with a string, cord, or ribbon around a child's neck, such as hood strings or pacifier cords.
- A child using the toddler or day bed must be at least 15 months of age and weigh 50 lbs (22.7 kg) or less.

# RH BABY & CHILD

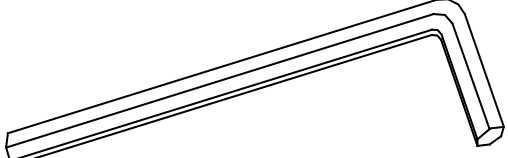
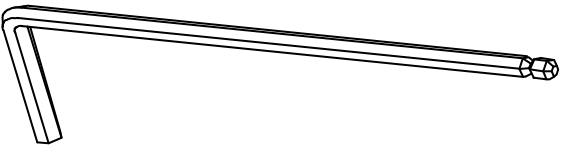
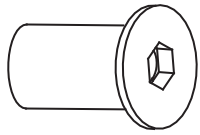

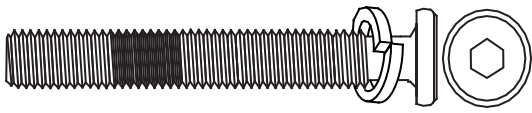
## JEUNE FRENCH CONTEMPORARY UPHOLSTERED PANEL CRIB/TODDLER BED KIT – ASSEMBLY INSTRUCTIONS Model No: 1079 - 13/14

### PARTS INCLUDED:

- A [2] HEADBOARD AND FOOTBOARD
- B [2] STATIONARY SIDE RAIL
- C [1] MATTRESS SUPPORT





### HARDWARE INCLUDED:

NO.	ITEM	DESCRIPTION	QTY.
1		Allen Key 6mm	1 piece
2		Allen Key 4mm	1 piece
3		Insert Heads 6mm	4 pieces
4		L Pins 6mm	4 pieces
5		Medium Bolts 5/16" x 2"	4 pieces

# RH BABY & CHILD

## JEUNE FRENCH CONTEMPORARY UPHOLSTERED PANEL CRIB/TODDLER BED KIT – ASSEMBLY INSTRUCTIONS Model No: 1079 - 13/14

NO.	ITEM	DESCRIPTION	QTY.
6		Half Moon Washers	4 pieces
7		Long Bolts 5/16" x 2 3/4"	4 pieces

### ASSEMBLY INSTRUCTIONS

**Note:** - Bed must be assembled by at least two people.

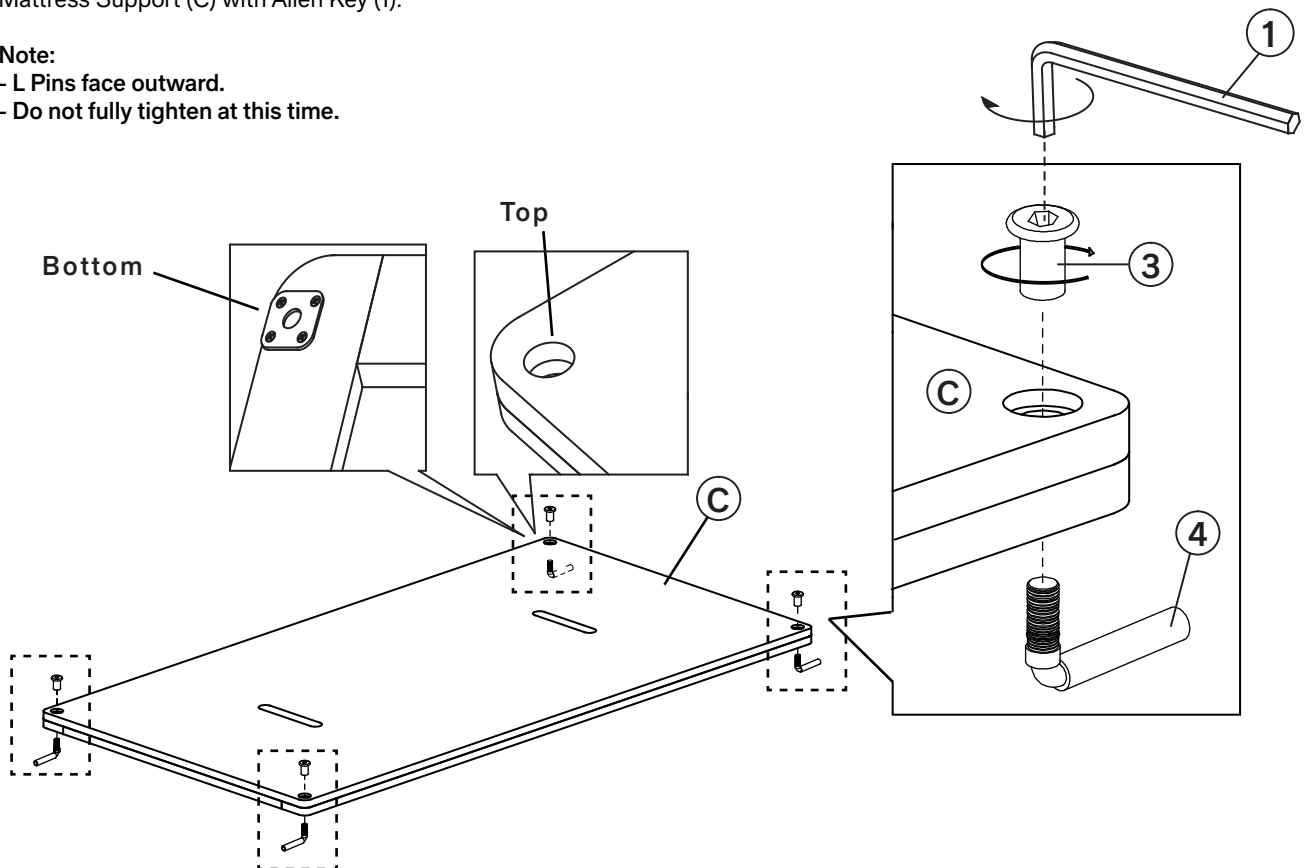
- Please read instructions carefully before assembling bed.
- Use the above parts and fittings list to identify each component.
- Keep all packing materials until assembly is complete to avoid loss of smaller parts.
- Do not completely tighten bolts until all steps are finished.

#### STEP 1:

Attach Insert Heads (3) and L Pins (4) into the Mattress Support (C) with Allen Key (1).

**Note:**

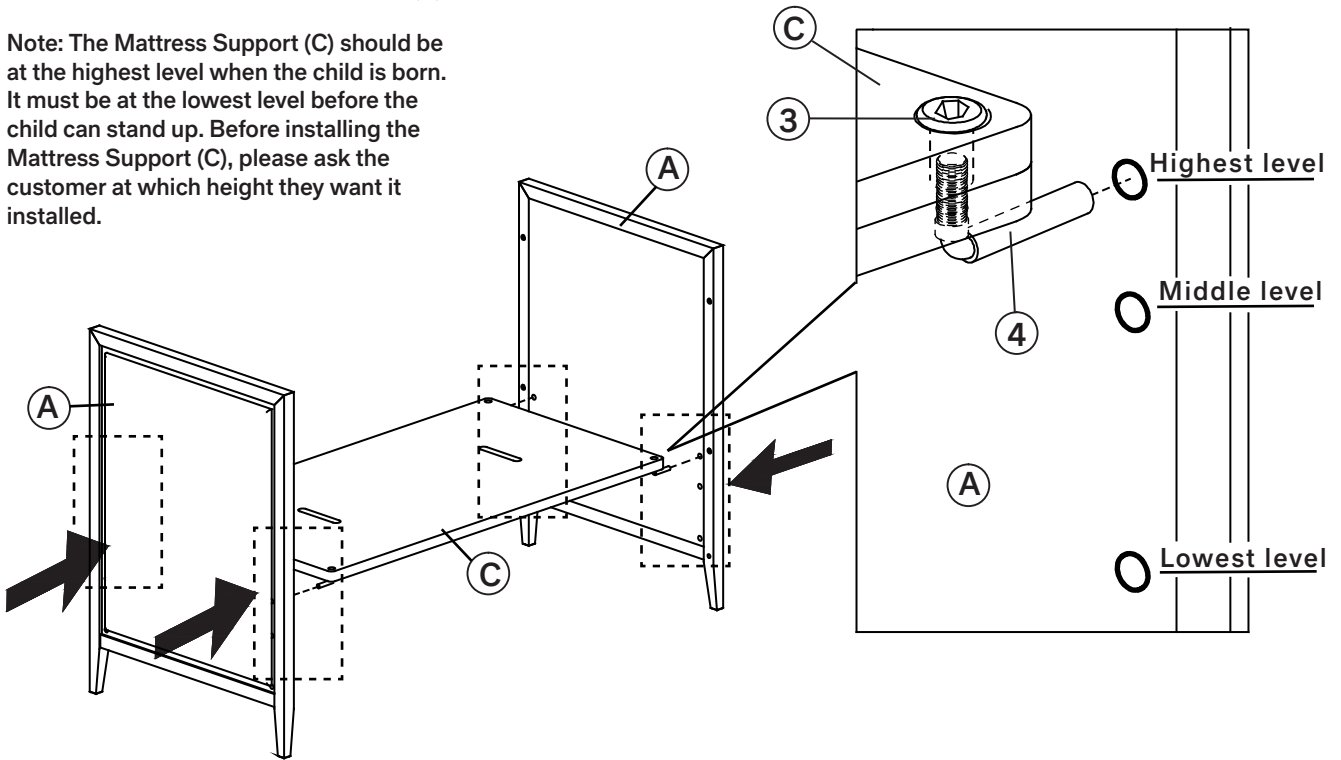
- L Pins face outward.
- Do not fully tighten at this time.



**STEP 2:**

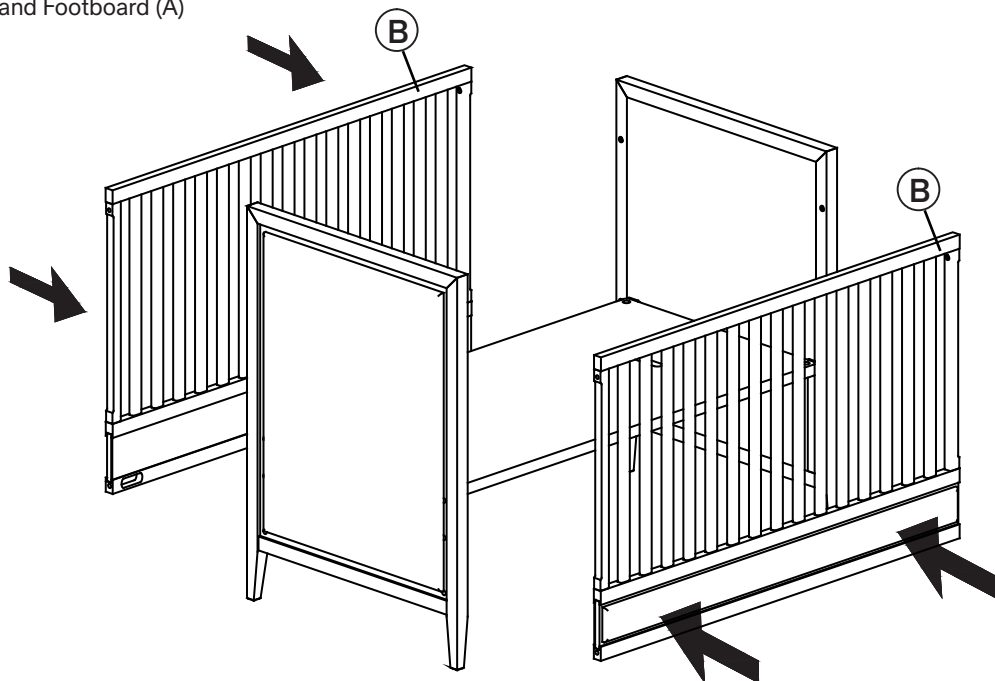
Position the Mattress Support (C) between the Headboard and Footboard (A). Then align L Pins (4) on the Mattress Support (C) into the pre-drilled holes of the Headboard and Footboard (A).

**Note:** The Mattress Support (C) should be at the highest level when the child is born. It must be at the lowest level before the child can stand up. Before installing the Mattress Support (C), please ask the customer at which height they want it installed.



**STEP 3:**

Position the Stationary Side Rails (B) between the Headboard and Footboard (A) and align the holes.

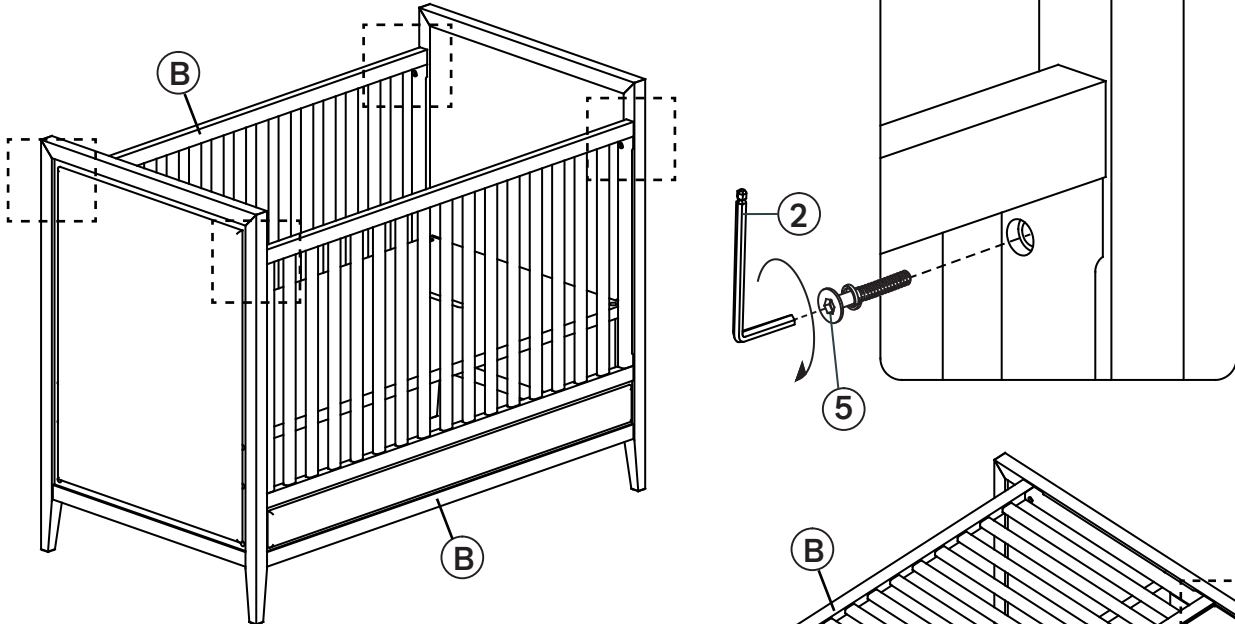


# RHBABY&CHILD

## JEUNE FRENCH CONTEMPORARY UPHOLSTERED PANEL CRIB/TODDLER BED KIT – ASSEMBLY INSTRUCTIONS Model No: 1079 - 13/14

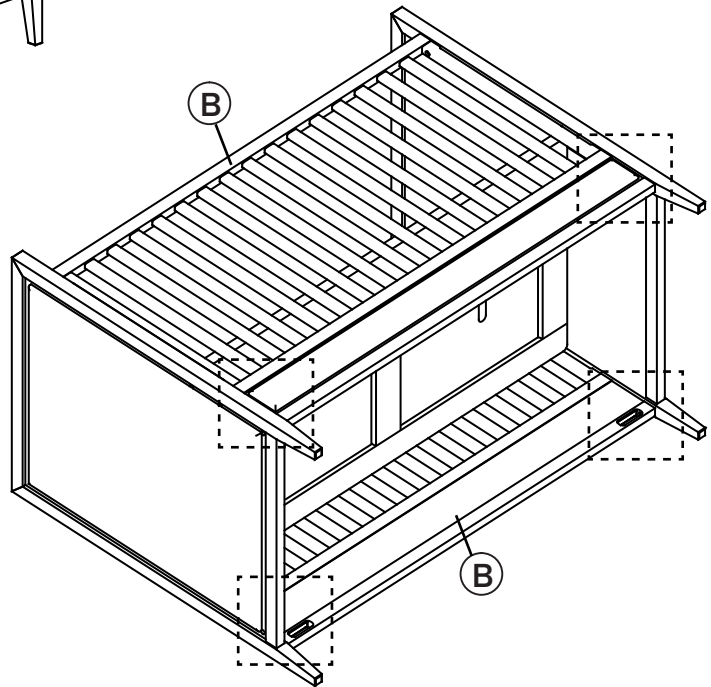
### STEP 4:

Attach the Stationary Side Rails (B) to the Headboard and Footboard (A) with Medium Bolts (5), and tighten using Allen Key (2).



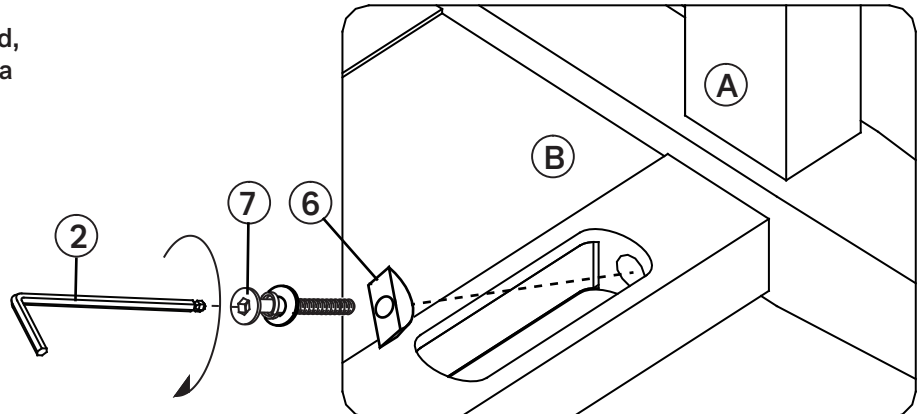
### STEP 5:

Place the crib on its side on a soft, flat surface.  
Attach the Stationary Side Rails (B) to the Headboard and Footboard (A) with Long Bolts (7) and Half Moon Washers (6), and tighten with Allen Key (2).  
Carefully turn the crib upright.  
Assembly is complete.



### WARNING:

After crib is completely assembled, return to each bolt and tighten to a snug fit. DO NOT overtighten.





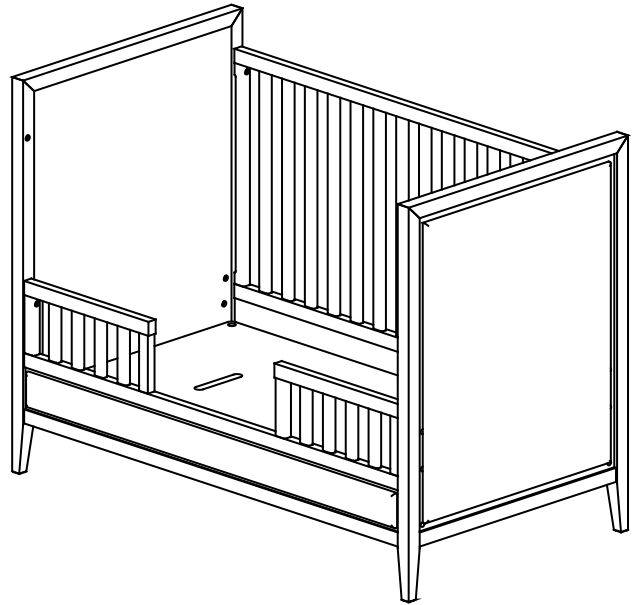
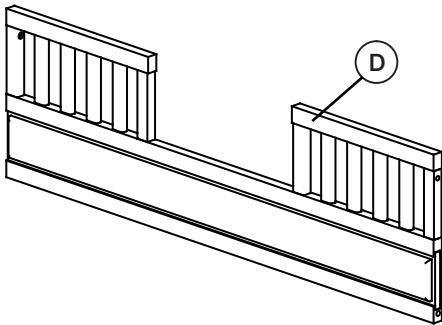
# RH BABY & CHILD

## JEUNE FRENCH CONTEMPORARY UPHOLSTERED PANEL CRIB/TODDLER BED KIT – ASSEMBLY INSTRUCTIONS Model No: 1079 - 13/14


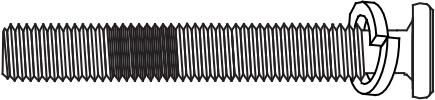
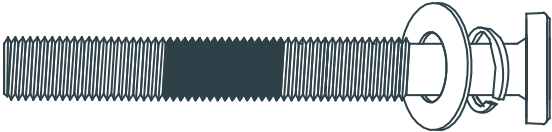

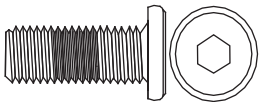
### TODDLER RAIL ASSEMBLY

#### PARTS INCLUDED:

D [1] TODDLER RAIL



#### HARDWARE INCLUDED:

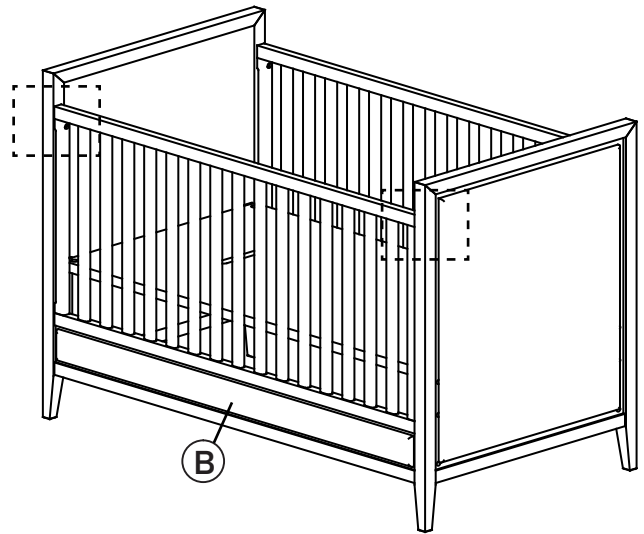
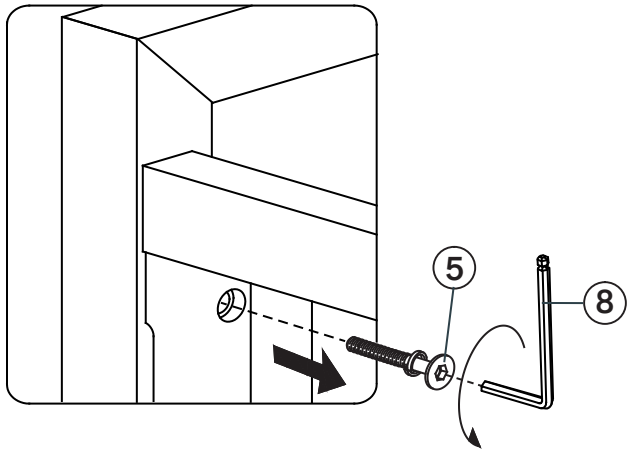
NO.	ITEM	DESCRIPTION	QTY.
8		Allen Key 4mm	1 piece
9		Medium Bolts 5/16" x 2"	2 pieces
10		Long Bolts 5/16" x 2 3/4"	2 pieces
11		Half Moon Washers	2 pieces
12		Short Bolts 5/16" x 3/4"	2 pieces

# RHBABY&CHILD

## JEUNE FRENCH CONTEMPORARY UPHOLSTERED PANEL CRIB/TODDLER BED KIT – ASSEMBLY INSTRUCTIONS Model No: 1079 - 13/14

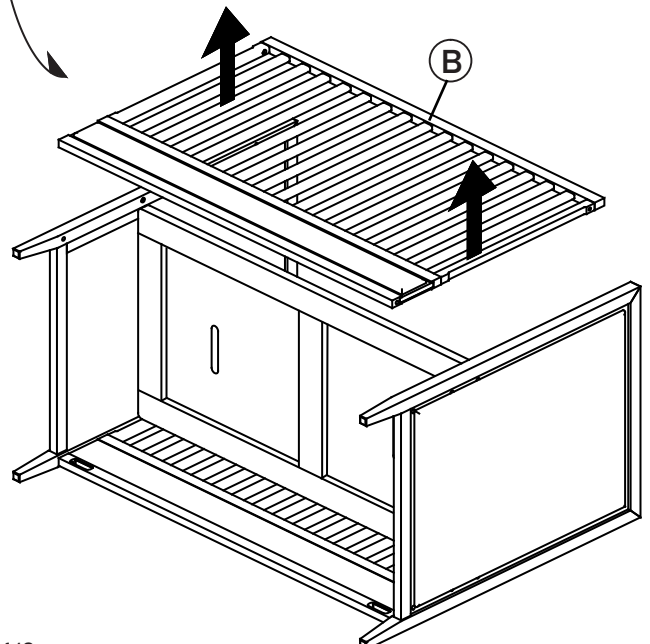
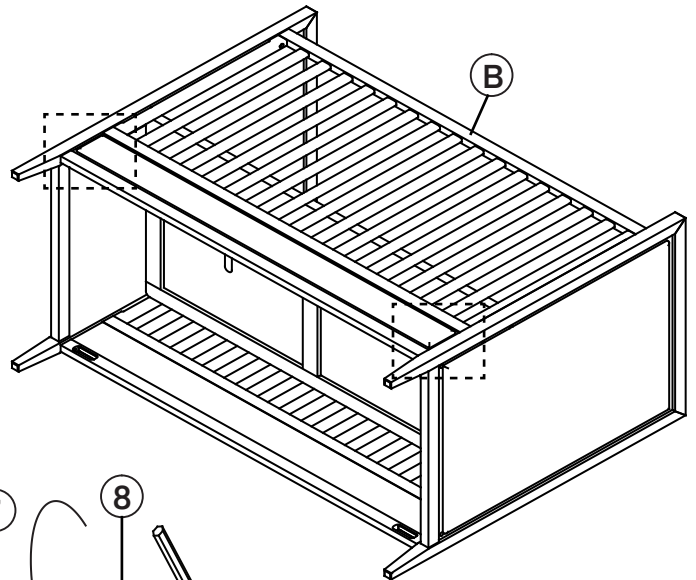
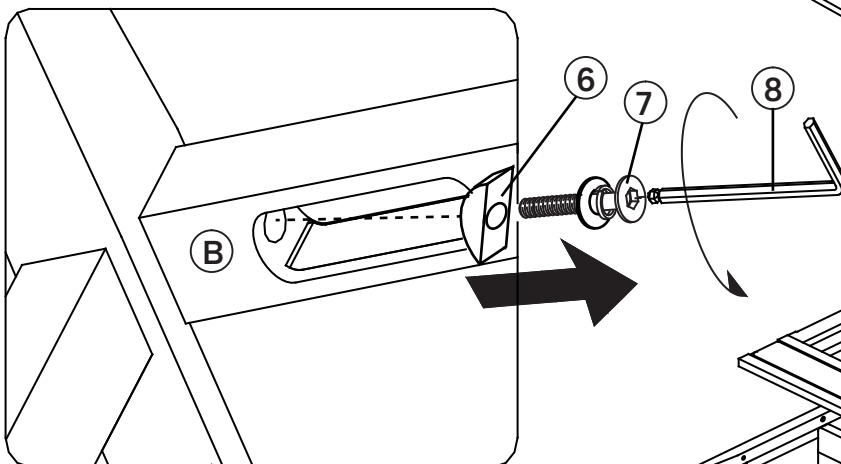
### STEP 6:

Remove the two Medium Bolts (5) with spring washer on left and right sides of the Stationary Side Rail (B) using Allen Key (8).



### STEP 7:

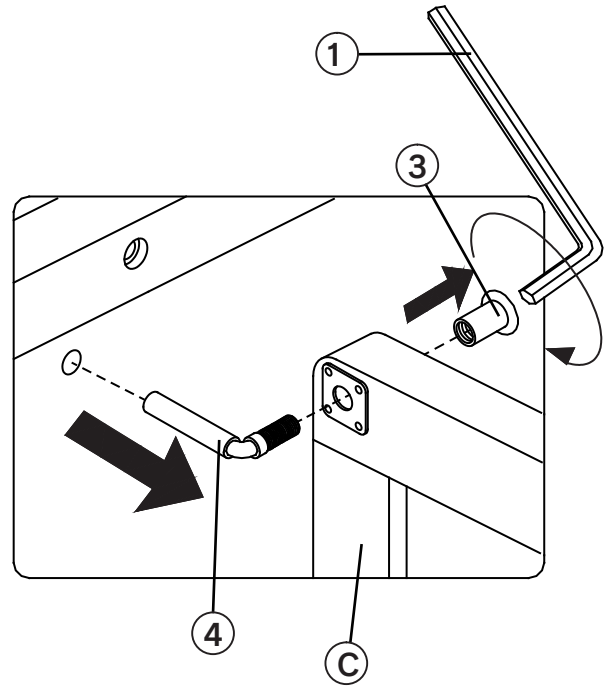
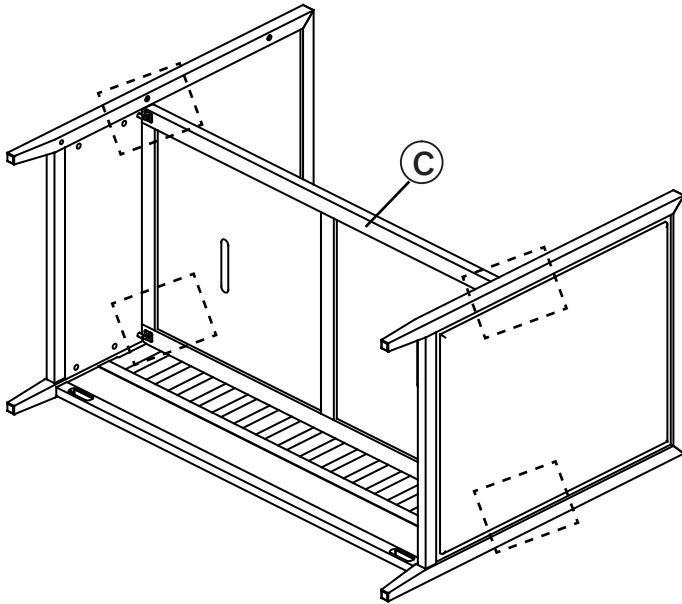
Place the Crib on its side on a soft, flat surface. Carefully unscrew and remove the two Long Bolts (7) with Half Moon Washers (6) on left and right sides of the Stationary Side Rail (B) using Allen Key (8). Remove Stationary Side Rail (B) from the crib.



**STEP 8:**

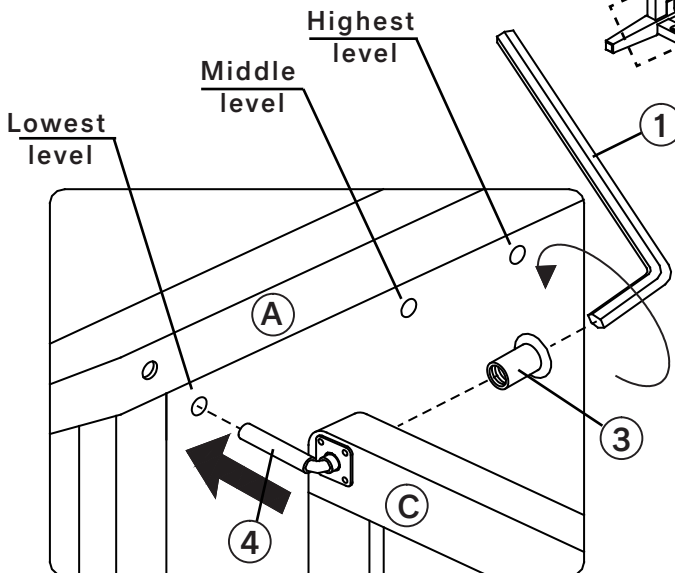
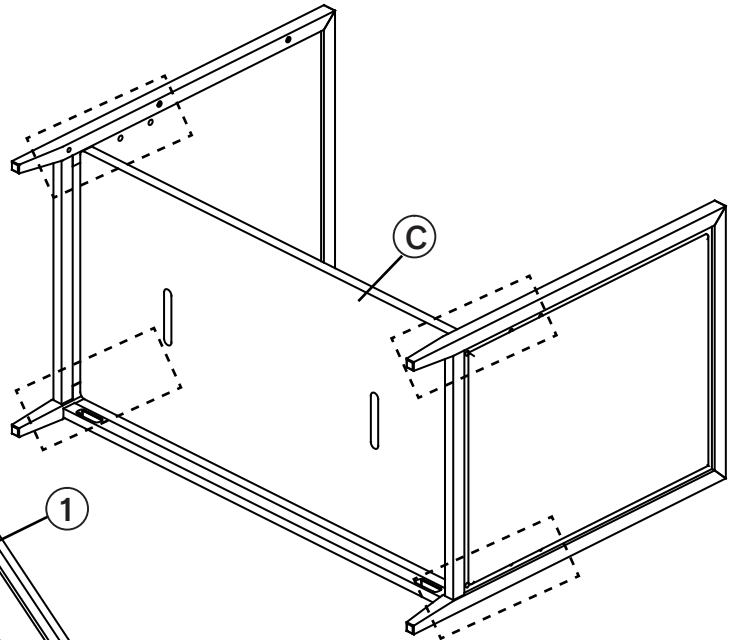
If mattress support is not in the lowest position, remove all tightened Insert Heads (3) and L Pins (4) from the Mattress Support (C), then move it to the lowest position.

**Note:** The Mattress Support (C) must be at the lowest level for a toddler bed.



**STEP 9:**

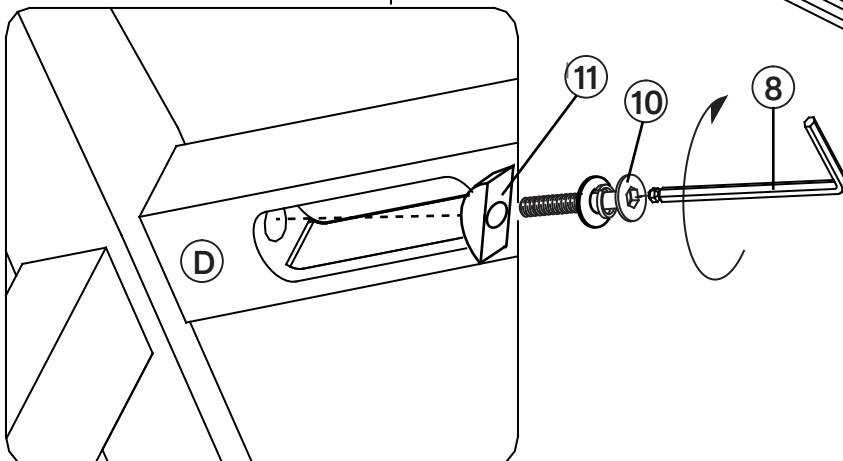
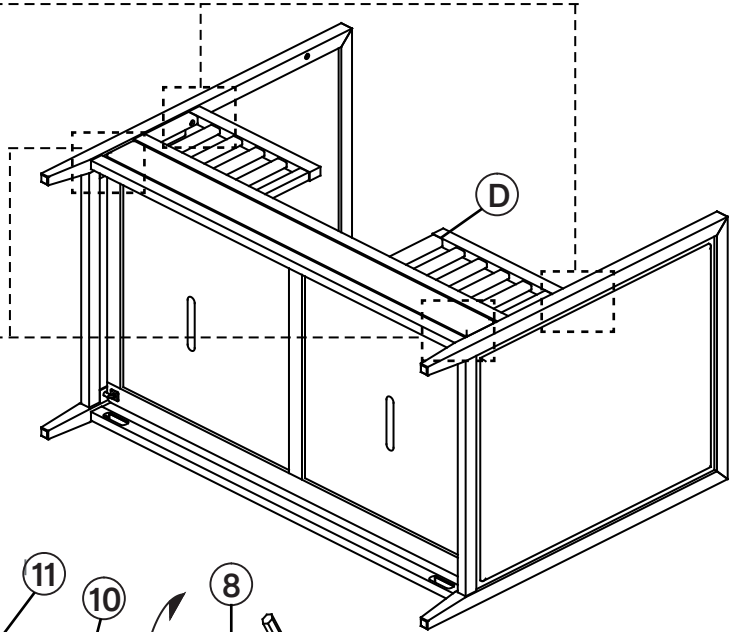
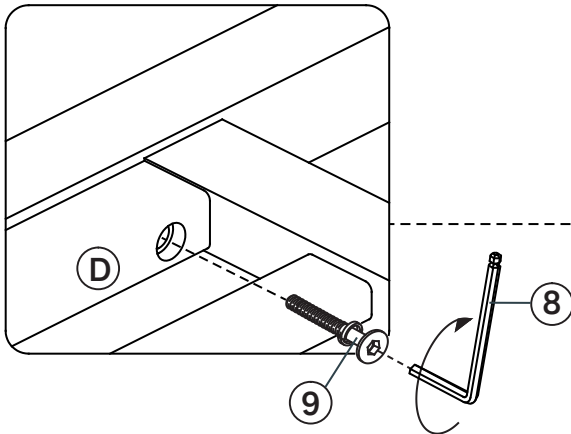
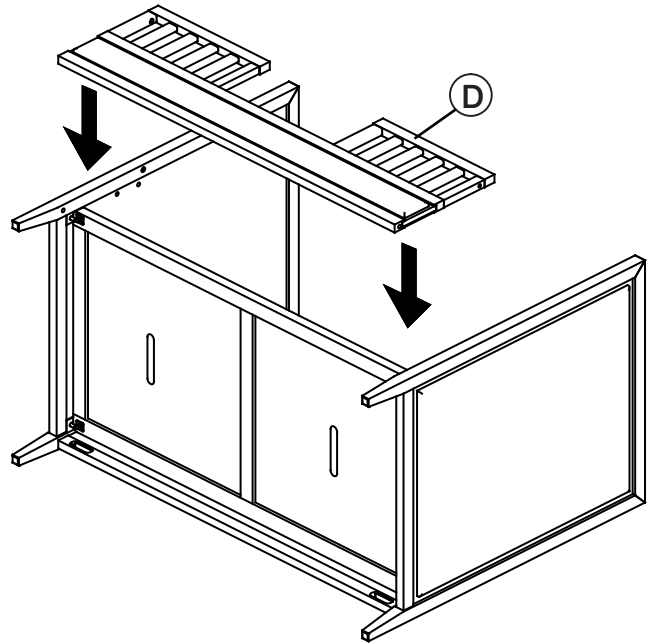
Move L Pins (4) into the pre-drilled holes the lowest position of the Headboard and Footboard (A). Attach Insert Heads (3) into L Pins (4) and tighten with Allen Key (1).



### STEP 10:

Position the Toddler Rail (D) between the Headboard and Footboard (A) and align the holes.

Attach the Toddler Rail (D) to the Headboard and Footboard (A) by using Medium Bolts (9), Long Bolts (10), and Half Moon Washers (11). Tighten with Allen Key (8).



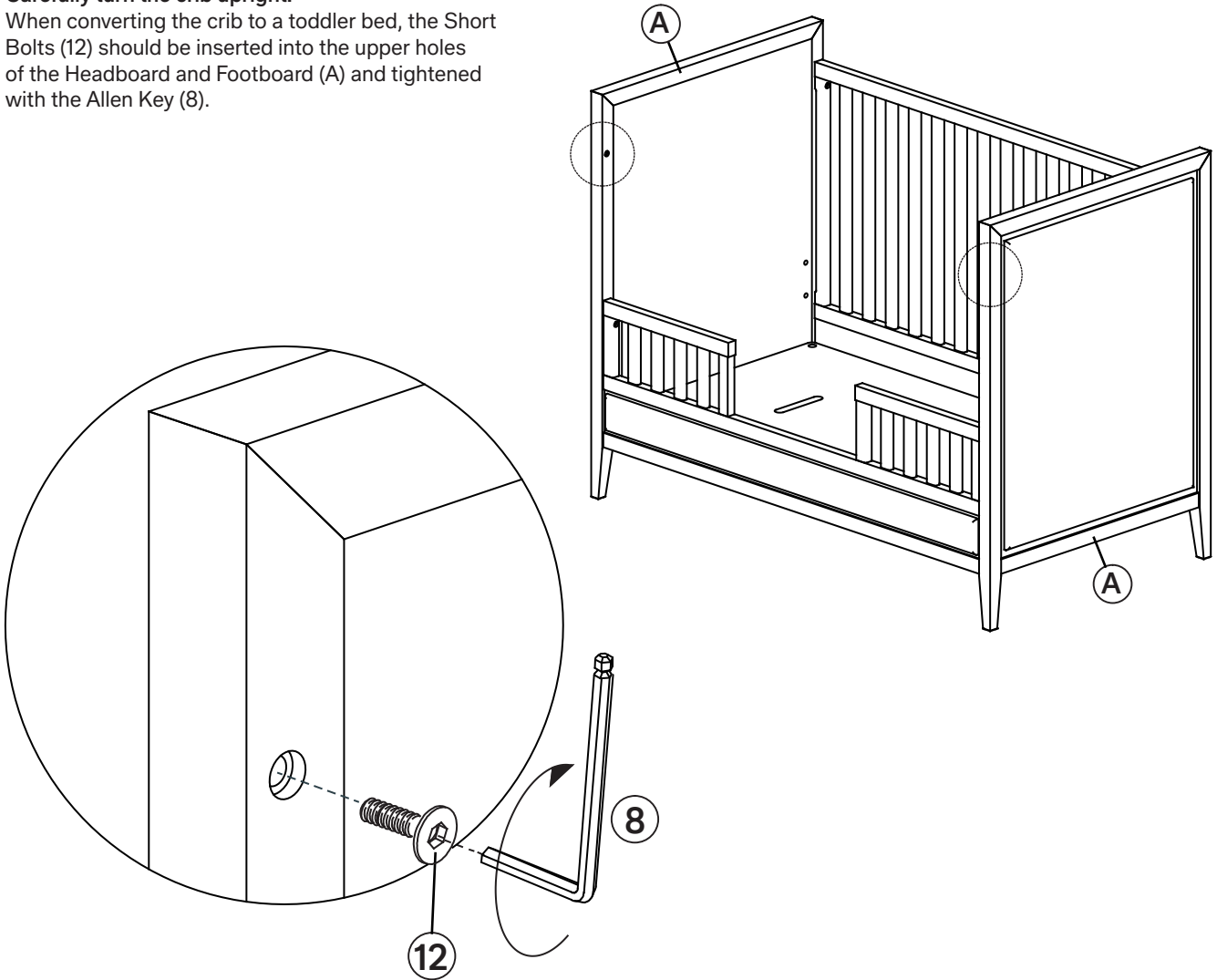
# RH BABY & CHILD

## JEUNE FRENCH CONTEMPORARY UPHOLSTERED PANEL CRIB/TODDLER BED KIT – ASSEMBLY INSTRUCTIONS Model No: 1079 - 13/14

### STEP 11:

#### Carefully turn the crib upright.

When converting the crib to a toddler bed, the Short Bolts (12) should be inserted into the upper holes of the Headboard and Footboard (A) and tightened with the Allen Key (8).



#### WARNING:

After crib is completely assembled, return to each bolt and tighten to a snug fit. DO NOT overtighten.

#### CARE INSTRUCTIONS:

1. DUST OFTEN USING A CLEAN, SOFT, DRY AND LINT-FREE CLOTH.
2. BLOT SPILLS IMMEDIATELY AND WIPE WITH A CLEAN, DAMP CLOTH.
3. DO NOT USE CHEMICAL CLEANERS, ABRASIVES OR FURNITURE POLISH ON THE LACQUERED FINISH.