

RHBABY&CHILD

Kennedy Iron Crib

Made in China

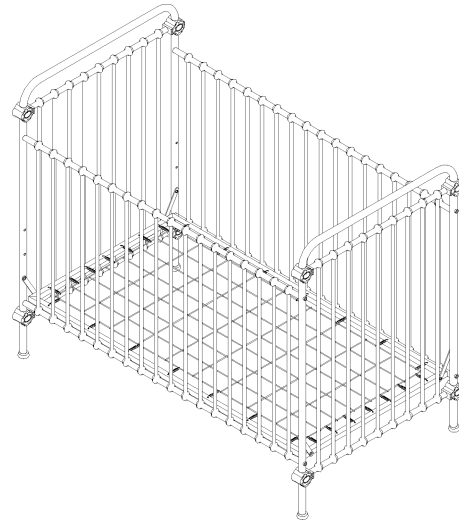
Model No: 105190

Distributed in the U.S.A by:
Restoration Hardware baby & child
11640 Harrel St. Suite B
Mira Loma, CA 91752
rhhbabyandchild.com

Distributed in Canada by:
Restoration Hardware Canada, Inc.
1500-1055 West Georgia Street
Vancouver, British Columbia V6E4N7



WARNING: Read all instructions before assembling this product. **KEEP INSTRUCTIONS FOR FUTURE USE.**



CUSTOMER SERVICE

If you are missing parts or have any questions about this product, contact us first. You can also order parts by writing to the address above. Include the product model number, color, and a brief description of the part. Call 1-800-762-1751.

CARE AND CLEANING

DO NOT scratch or chip the finish. **DO NOT** use abrasive chemicals for cleaning. Dust often using a soft, dry cloth. Blot spills immediately and wipe with a clean, damp cloth. If the crib is to be stored, store in a cool, dry place and carefully package all original hardware to protect from loss.

TOOLS AND INSTALLATION

Tools Necessary: Allen Key (included).

Note: It may be easier to assemble product with two people.

NOTE: When inserting bolts, turn clockwise until tight. Then loosen 1/2-3/4 of a turn. After crib is completely assembled, return to each bolt and tighten. Use wax or soap on all bolts to facilitate assembly.

RHBABY&CHILD

Kennedy Iron Crib - Assembly Instructions

Model No: 105190

IMPORTANT SAFETY INFORMATION FOR CRIBS



WARNING: Infants can suffocate on soft bedding. Never add a pillow or comforter. Never place additional padding under an infant.



WARNING: Failure to follow these warnings and the assembly instructions could result in serious injury or death.

- Never use plastic shipping bags or other plastic film as mattress covers because they can cause suffocation.
- Infants can suffocate in gaps between crib sides and a mattress that is too small.
- To reduce the risk of **SIDS**, pediatricians recommend healthy infants be placed on their backs to sleep, unless otherwise advised by your physician.

Strangulation Hazard:

- Strings can cause strangulation! **DO NOT** place items with a string around a child's neck, such as hood strings or pacifier cords. **DO NOT** suspend strings over a crib or attach strings to toys.
- To help prevent strangulation, tighten all fasteners. A child can trap parts of the body or clothing on loose fasteners.
- **DO NOT** place crib near window where cords from blinds or drapes may strangle a child.

Fall Hazard:

- When child is able to pull to a standing position, set mattress to lowest position and remove bumper pads, large toys and other objects that could serve as steps for climbing out.
- When child is able to climb out or reaches the height of 35 inches (89 cm), the crib shall no longer be used, and the child should be placed in a youth or regular bed.
- Check this product for damaged hardware, loose joints, missing parts or sharp edges before and after assembly and frequently during use. **DO NOT** use crib if any parts are missing, damaged or broken. Contact customer service at 1-800-762-1751 for replacement parts and instructional literature if needed. **DO NOT** substitute parts.
- **DO NOT** use a water mattress with this crib.
- If refinishing, use a non-toxic finish specified for children's products.
- Follow warnings on all products in a crib.
- Never use plastic shipping bags or other plastic film as mattress covers because they can cause suffocation.
- Infants can suffocate in gaps between crib sides and a mattress that is too small.

RHBABY&CHILD

Kennedy Iron Crib - Assembly Instructions

Model No: 105190

IMPORTANT SAFETY INFORMATION FOR CRIBS

CAUTION: ANY MATTRESS USED IN THIS CRIB MUST BE AT LEAST 27 1/4 INCHES BY 51 5/8 INCHES WITH A THICKNESS NOT EXCEEDING 6 INCHES.



WARNING

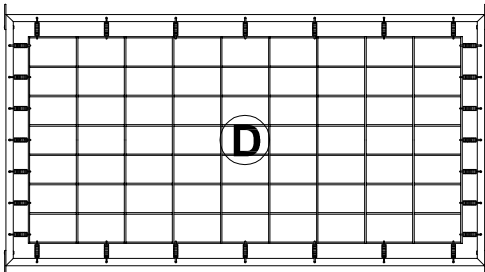
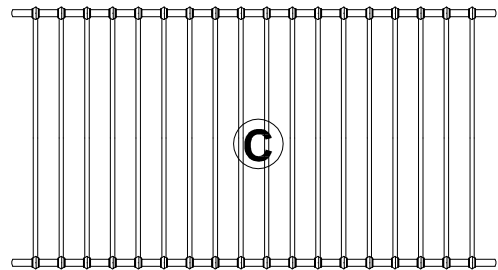
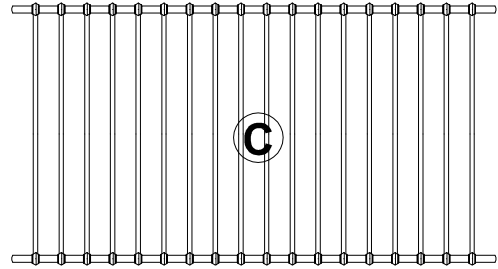
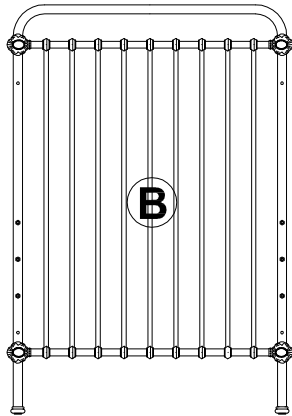
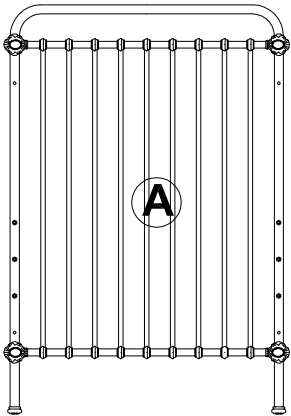
- Do not use this crib if the enclosed or attached instructions cannot be strictly adhered to. Do not use this crib if the child is able to climb out unaided or is taller than 35 inches (89 cm). Do not place cords, straps or similar items that could become wound around the child's neck in or near this crib. Ensure that the sides are properly latched or locked in place when the crib is occupied. The mattress used with this crib should not be more than 6 inches (15 cm) thick and should be of such length and width that the gap between the mattress and the sides of the crib is not more than 1 1/5 inches (3 cm) when the mattress is pushed into the corner of the crib.
- Parents should inspect the crib regularly before putting the child in the crib each day and confirm that every component of the crib is properly and securely in place.

RHBABY&CHILD

Kennedy Iron Crib - Assembly Instructions

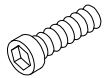
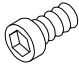
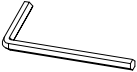
Model No: 105190

PARTS INCLUDED



- A (1) Headboard
- B (1) Footboard
- C (2) Side Rail
- D (1) Mattress Support

HARDWARE LIST

NO.	ITEM	DESCRIPTION	QUANTITY
1		Long Allen Bolt	8 pcs.
2		Short Allen Bolt	4 pcs.
3		Allen Key	1 pc.

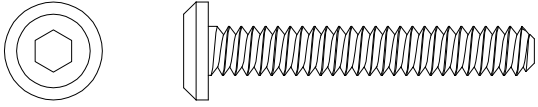
RHBABY&CHILD

Kennedy Iron Crib - Assembly Instructions

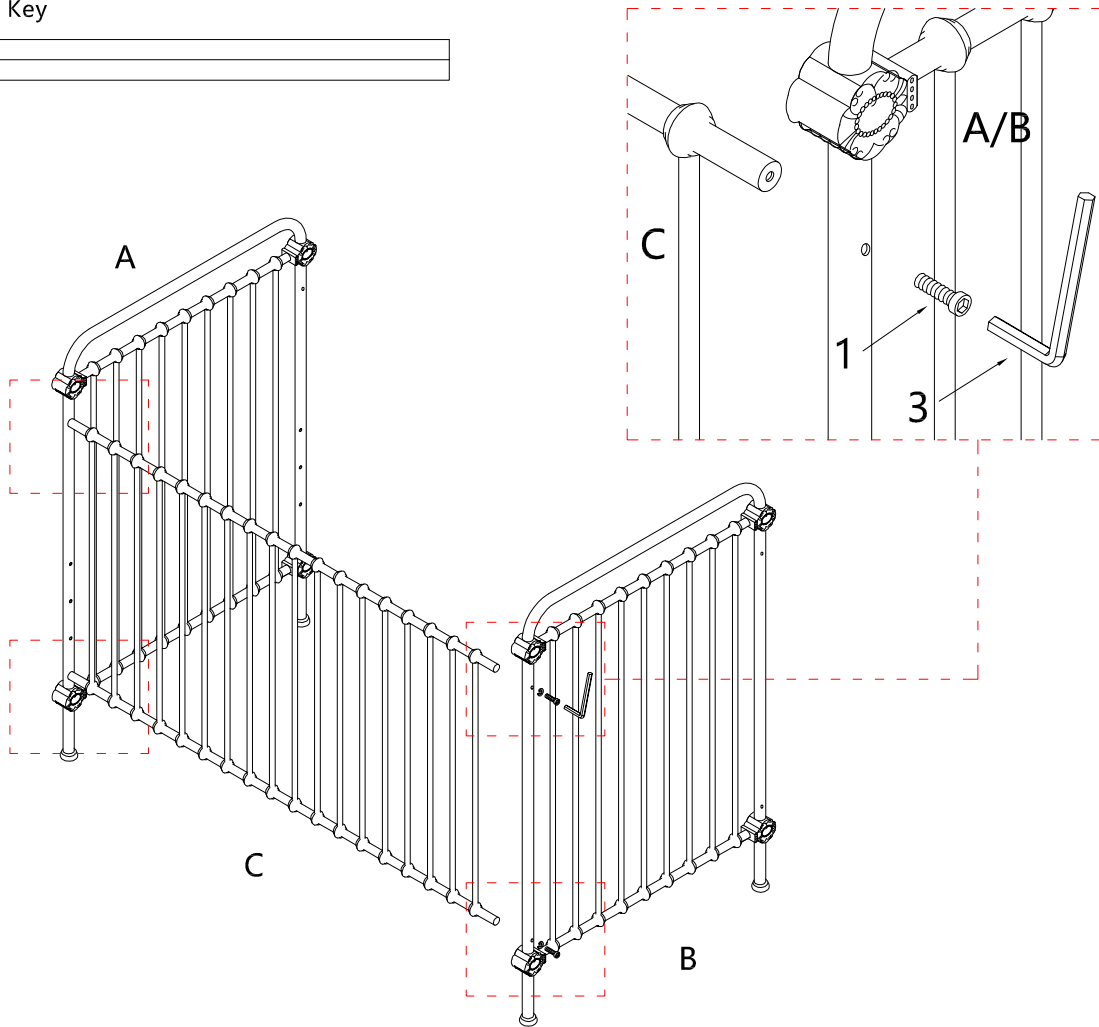
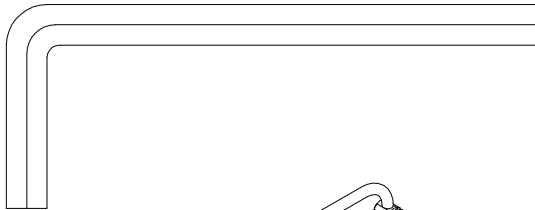
Model No: 105190

STEP 1

(1) Long Allen Bolt = 8 pcs



(3) Allen Key



- Position one of the Side Rails (C) between the Headboard (A) and Footboard (B) and align the holes at the ends with holes on the Headboard and Footboard.
- Insert the the Long Allen Bolts (1) into the holes and tighten using the Allen Key (3).

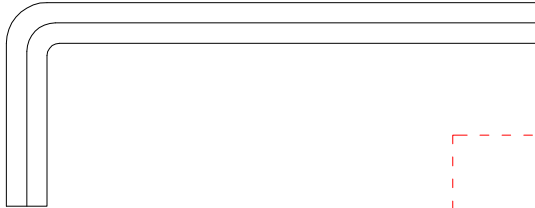
RHBABY&CHILD

Kennedy Iron Crib - Assembly Instructions

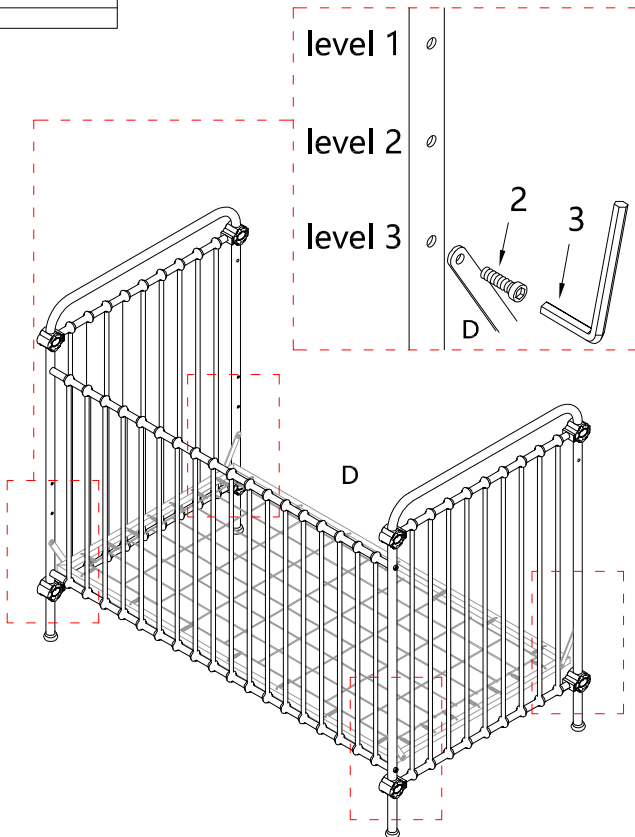
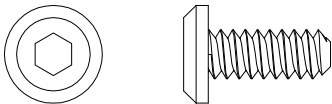
Model No: 105190

STEP 2

(3) Allen Key



(2) Short Allen Bolt = 4 pcs



Note:

Mattress Support (D) is easily adjustable to varying heights by loosening and removing the Short Allen Bolt (2) from all four corners and reinserting into a different hole for a higher or lower level.

- Position the Mattress Support (D) between the Headboard (A) and Footboard (B) and align the holes. Insert the Short Allen Bolt (2) into the holes and tighten with the Allen Key (3).
- Set the mattress support to the desired height by adjusting the support arms. The mattress support should be at its highest setting for newborns, then adjusted to the lower positions as the child grows and becomes mobile. Once the child is able to stand, the mattress support should be at its lowest position.

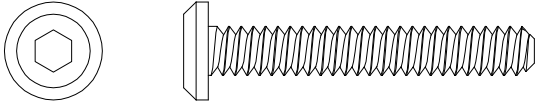
RHBABY&CHILD

Kennedy Iron Crib - Assembly Instructions

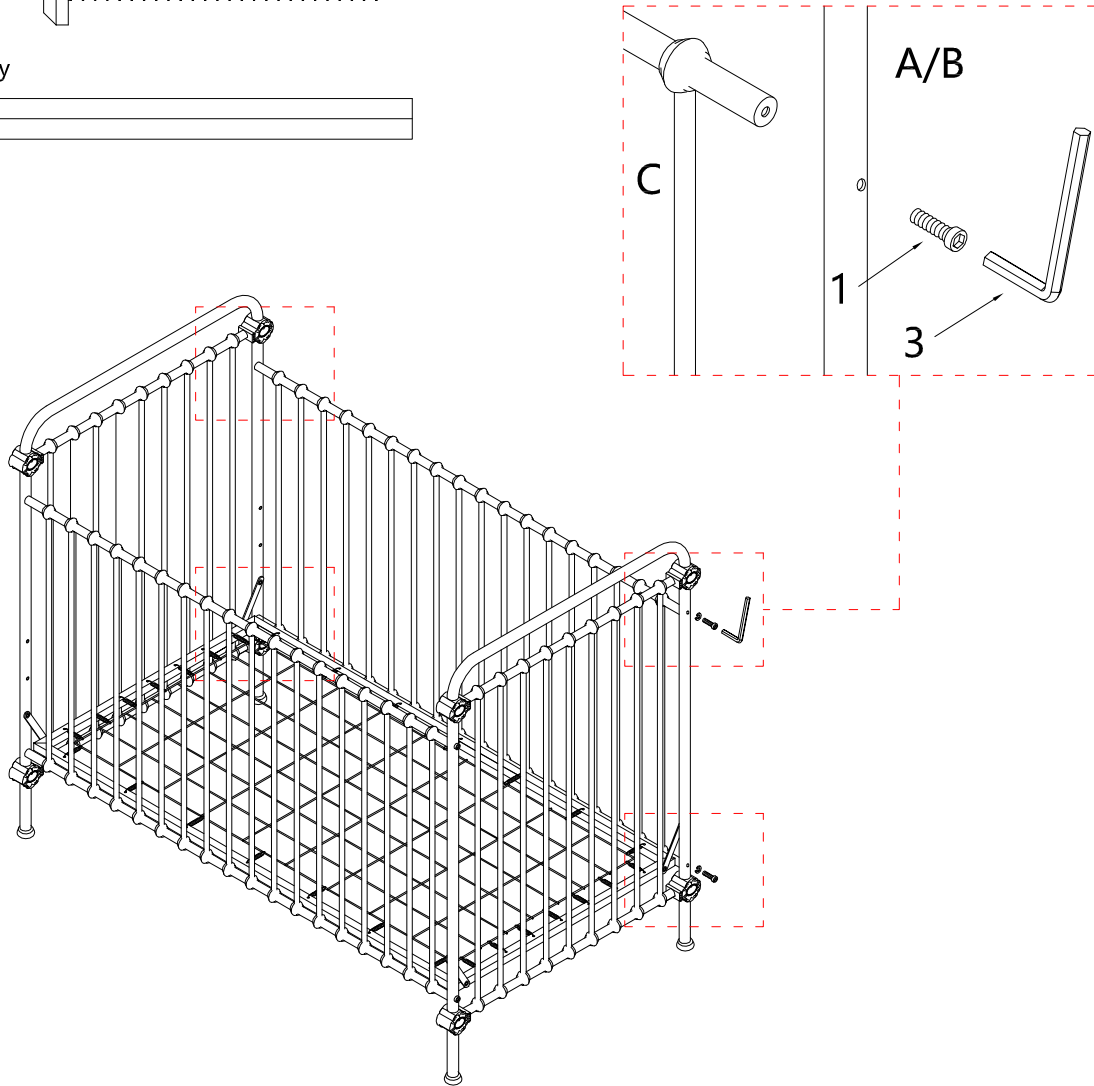
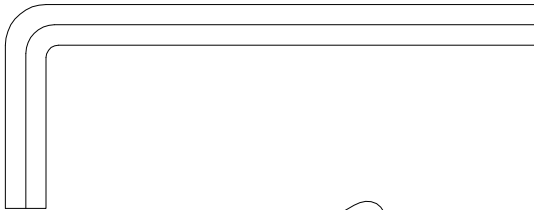
Model No: 105190

STEP 3

(1) Long Allen Bolt = 8 pcs



(3) Allen Key



- Position the other Side Rail (C) between the Headboard (A) and Footboard (B), align the holes at the ends with holes on the Headboard and Footboard.
- Insert the Long Allen Bolts (1) to the holes and tighten using the Allen Key (3).
- After assembly, retighten bolts to a snug fit. **DO NOT OVERTIGHTEN.**