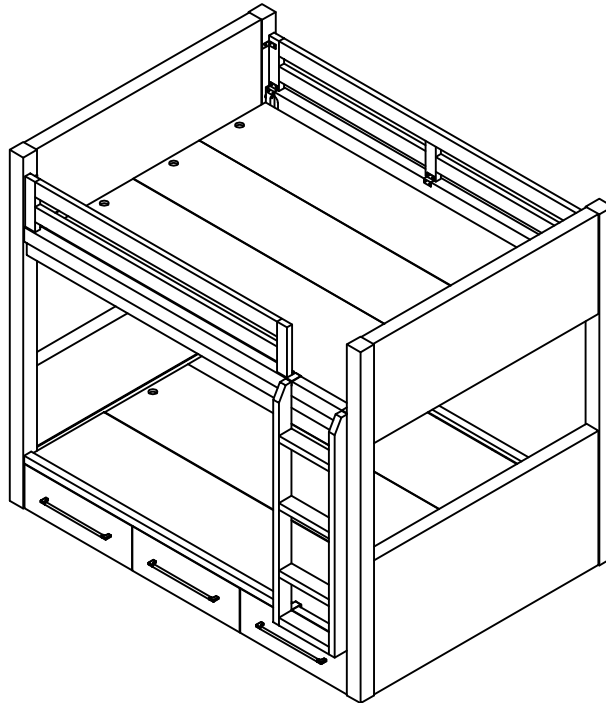


RH BABY&CHILD RH TEEN

KOLDEN BUNK BED TWIN - ASSEMBLY INSTRUCTIONS



WARNING: Read all instructions before assembling this product. **KEEP INSTRUCTIONS FOR FUTURE USE.**



CUSTOMER SERVICE

If you are missing parts or have any questions about this product, contact us first. You can also order parts by writing to the address below. Include the product model number, color, and a brief description of the part.
Call 1-800-762-1005.

Distributed in the U.S.A by:
RH Baby&Child
2900 N MACARTHUR DRIVE
TRACY, CA 95376
www.rhbabyandchild.com

Distributed in Canada by:
RH Canada, Inc.
1500-1055 West Georgia Street
Vancouver, British Columbia
V6E4N7

CARE AND CLEANING

DO NOT scratch or chip the finish. DO NOT use abrasive chemicals for cleaning. Dust often using a clean, soft, dry cloth. Blot spills immediately and wipe with a clean, damp cloth. If the bed is to be stored, store in a cool, dry place and carefully package all original hardware to protect from loss.

TOOLS AND INSTALLATION

Tools needed: Allen wrench (included)
Wrench (included)
Screwdriver (not included)

Note: It may be easier to assemble product with two people.

NOTE: When inserting bolts, turn clockwise until tight. Then loosen $\frac{1}{2}$ - $\frac{3}{4}$ of a turn. After bed is completely assembled, return to each bolt and tighten. Use wax or soap on all bolts to facilitate assembly.

RH BABY & CHILD RH TEEN

KOLDEN BUNK BED TWIN - ASSEMBLY INSTRUCTIONS

IMPORTANT SAFETY INFORMATION FOR BUNK BED

1. Follow the information on the WARNINGS label appearing on the upper bunk end structure and on the carton.
2. Always use the specified mattress size, mattress support, or both to help prevent the likelihood of entrapment or falls.
3. Surface of mattress must be at least 5 inches below the upper edge of guardrails on top bunk.
4. Do not allow children under 6 years of age to use the upper bunk.
5. Do not allow more than one person on upper bunk.
6. Periodically check and ensure that the guardrails, ladder, and other components are in their proper position, free from damage, and that all connectors are tight.
7. Do not allow horseplay on or under the bed and do not allow jumping on the bed.
8. Always use the ladder for entering and leaving the upper bunk.
9. Do not use substitute parts. Contact Restoration Hardware for replacement parts.
10. Use of a nightlight may provide added safety precaution for a child using the upper bunk.
11. Use guardrails on both sides of the upper bunk.
12. If the bunk bed will be placed next to a wall, the guardrail that runs the full length of the bed should be placed against the wall to prevent entrapment between the bed and the wall.
13. Do not use a water flotation mattress.
14. **STRANGULATION HAZARD** - Never attach or hang items to any part of the bunk bed that are not designed for use with the bed, such as hooks, belts, and jump ropes.
15. Keep these instructions for future reference.
16. **DO NOT** remove warning label from bed.



WARNING

TO HELP PREVENT SERIOUS OR FATAL INJURIES FROM ENTRAPMENT OR FALLS:

1. Never allow a child under 6 years old on upper bunk.
2. Use mattress which is 38"W x 75"L x 7"H on Twin upper bunk, and 38"W x 75"L x 10"H on Twin lower bunk.
3. Ensure thickness of mattress does not exceed 7" and mattress is at least 5" below upper edge of guardrails.
4. Use guardrails on both sides of upper bunk.
5. Use ladder for entering and leaving upper bunk.
6. Do not allow horseplay on or under bed(s).
7. Do not allow more than one person on upper bunk.
8. If the bunk bed will be placed next to a wall, the guardrail that runs the full length of the bed should be placed against the wall to prevent entrapment between the bed and the wall.

STRANGULATION HAZARD

9. Never attach or hang items to any part of the bunk bed that are not designed for use with the bed, such as hooks, belts, and jump ropes.

DO NOT REMOVE THIS LABEL

RHBABY&CHILD RHTEEN

KOLDEN BUNK BED TWIN - ASSEMBLY INSTRUCTIONS

PARTS INCLUDED

- A. HEADBOARD (1)
- B. FOOTBOARD (1)
- C. STORAGE FRAME & DRAWER (1)
- D. LOWER SIDE RAIL (1)
- E. UPPER SIDE RAIL #1 AND GUARDRAIL (1)
- F. UPPER SIDE RAIL #2 (2)
- G. LOWER BED SLATS (5)
- H. UPPER BED SLATS (5)
- I. LOWER PLATFORM PANEL (2)
- J. UPPER PLATFORM PANELS (3)
- K. LADDER (1)

CARE INSTRUCTIONS

To clean, use a damp cloth. Do not use abrasives.












IMPORTANT SAFETY INSTRUCTIONS

Professional installation is strongly recommended. For your safety, it is recommended that two people assemble the bed.

These instructions are provided for your safety. It is important that they are read carefully and completely before assembling the bed.

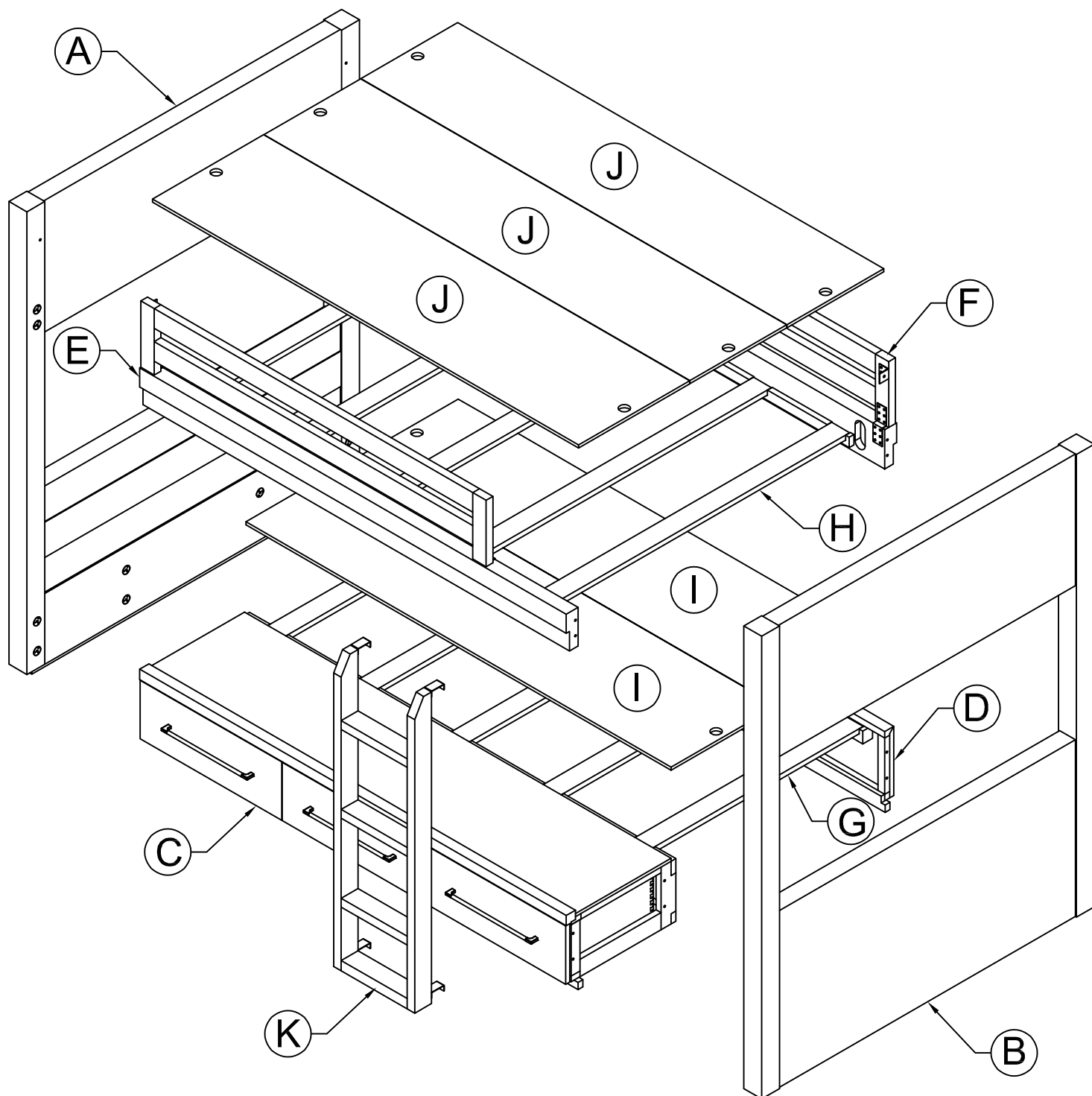
ASSEMBLY INSTRUCTIONS

1. Unpack all parts and place them on a protected work surface.
2. Fully remove all drawers out of storage frame (C). DETAIL A
 - Pull the drawer open until it's as far out as possible and the guides are fully extended.
 - Use both hands to simultaneously press both plastic levers at bottom side of drawer. Hold the levers and gently pull forward, then the drawer can be easily lifted out of the system.
3. Insert 8x bolts (1) into nuts on headboard (A) and footboard (B). DETAIL B
4. Hold the headboard (A) upright in the desired location.
 - Attach the storage frame (C) and lower side rail (D) into headboard (A) and footboard (B) by using 12x bolts (2), 12x spring washers (5) and 12x flat washers (6). DETAIL C
 - Attach the upper side rail #1 and guardrail (E), side rail # 2 (F) into headboard (A) and footboard (B) by using 8x nuts (4), 3x bolts (3), 11x spring washers (5) and 11x flat washers (6). DETAIL D and E
5. Repeat step 4 to attach storage frame and side rails into footboard.
6. Fully tighten all bolts and screws.
7. Set the bed slats (G, H) on the lower bunk and upper bunk, then fix them with screws (9) using a screwdriver (10). DETAIL F
8. Place platform panels (I, J) on the lower bunk and upper bunk with screws (9) using a screwdriver (10). DETAIL G
9. Hook the ladder (K) on the upper side rail and lower side rail. Use 8X screws (11) provided to fix the top and bottom of ladder with side rails. Check that the screws are fully tightened. DETAIL H
10. Install the drawers back into the storage compartments. DETAIL I
 - Pull out the installed slider. Place the drawer box over the extended slides.
 - Check that the cutout at back of bottom drawer aligns with the metal slider.
 - Pull the extended slides into the clips under the drawer until they click into place.
 - Adjust the gap of drawer by turning the gear clockwise/counterclockwise direction.
11. Assembly is complete.

NO.	ITEM	DESCRIPTION	QTY.
1		Bolt M8x110	8 Pcs.
2		Bolt M8x50	12 Pcs.
3		Bolt M8x30	3 Pcs.
4		Nut M8x13 (Head 13)	8 Pcs.
5		Spring washer M8	23 Pcs.
6		Flat washer M8	23 Pcs.
7		Wrench 13	1 Pc.
8		Allen wrench 4	1 Pc.
9		Steel screw Ø4x25	70 Pcs.
10		Screwdriver	Not included
11		Steel screw Ø4x20	8 Pcs.

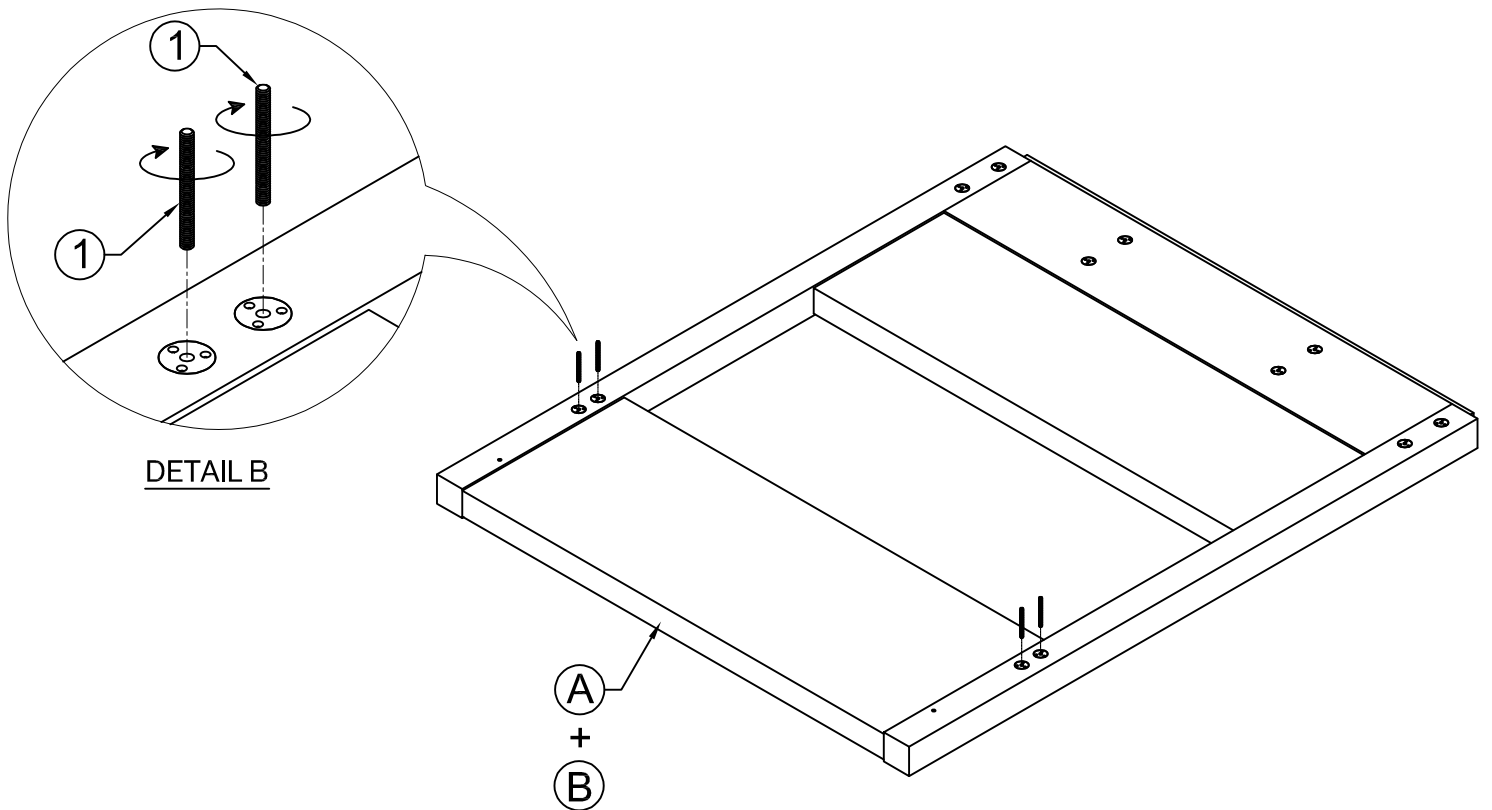
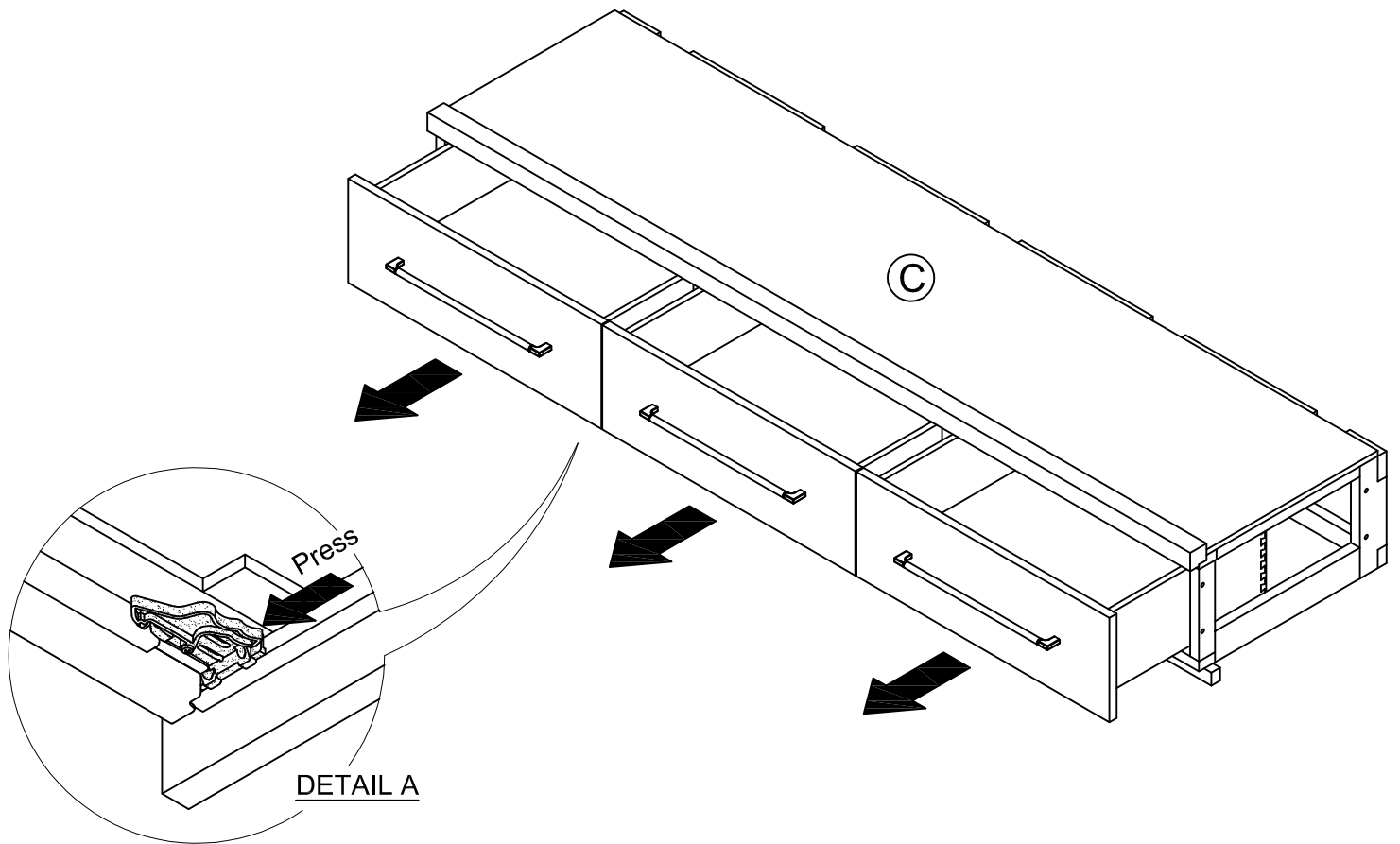
RH BABY & CHILD
RH TEEN

KOLDEN BUNK BED TWIN - ASSEMBLY INSTRUCTIONS



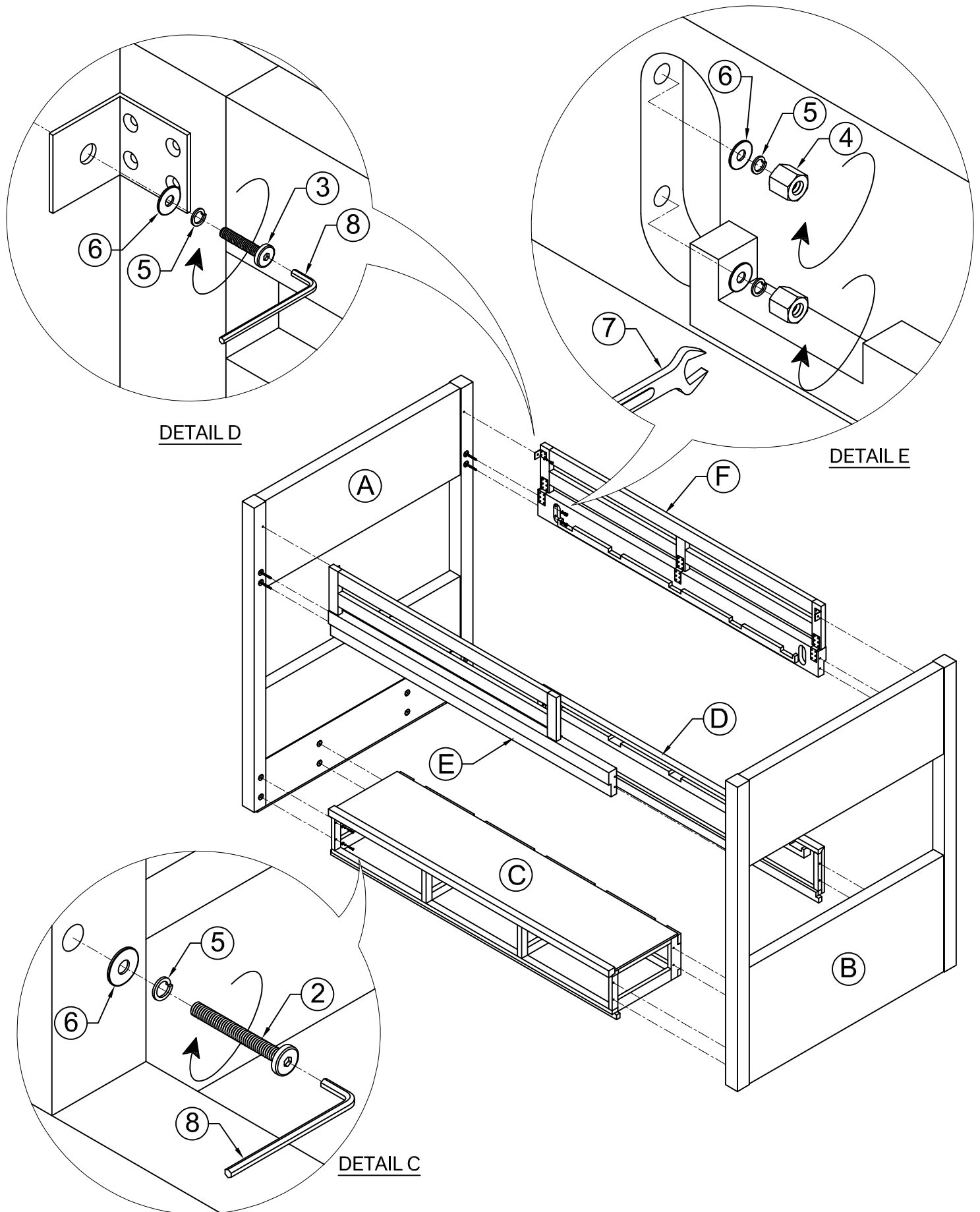
RHBABY&CHILD RHTEEN

KOLDEN BUNK BED TWIN - ASSEMBLY INSTRUCTIONS



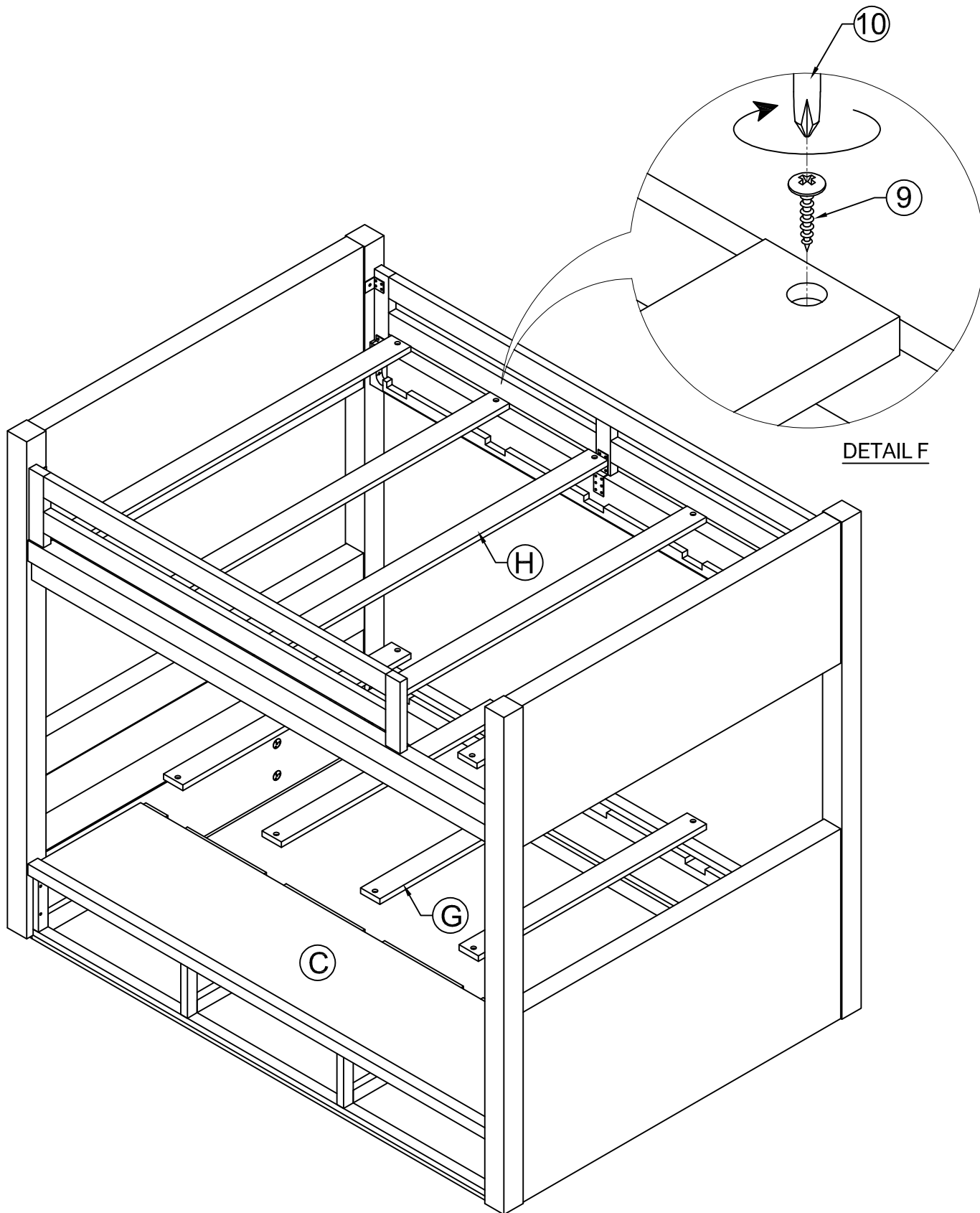
RH BABY & CHILD RH TEEN

KOLDEN BUNK BED TWIN - ASSEMBLY INSTRUCTIONS



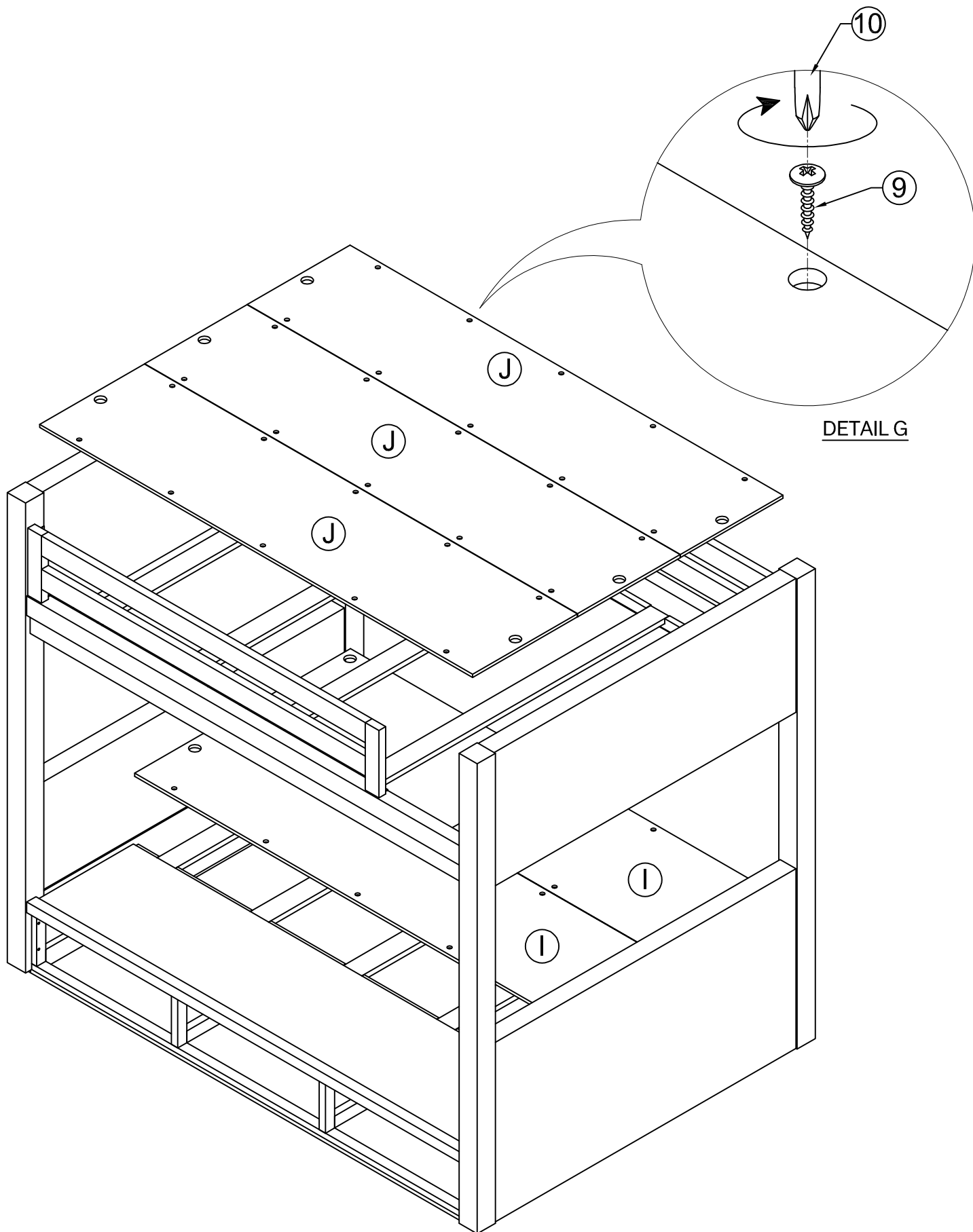
RH BABY & CHILD
RH TEEN

KOLDEN BUNK BED TWIN - ASSEMBLY INSTRUCTIONS



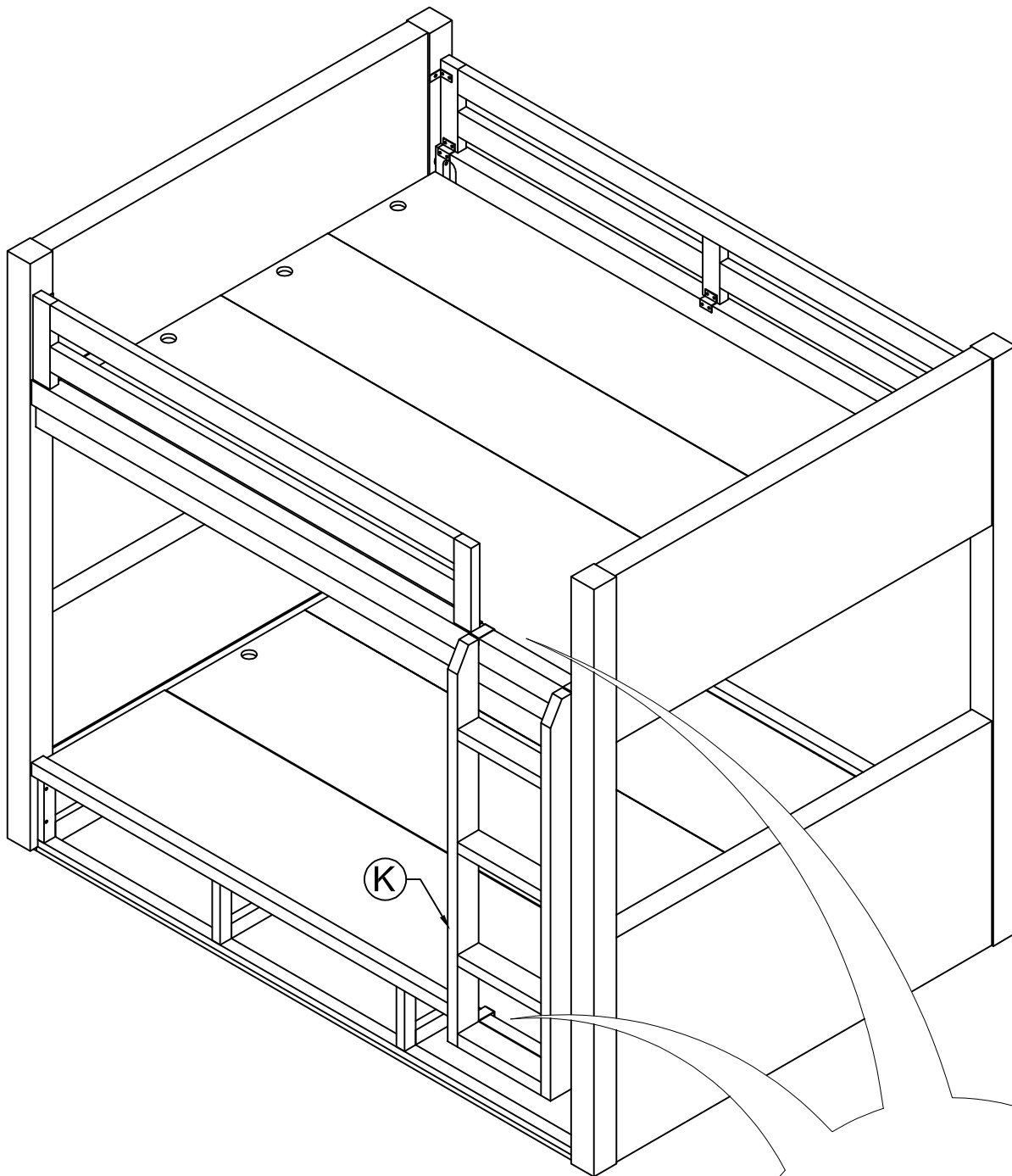
RH BABY & CHILD
RH TEEN

KOLDEN BUNK BED TWIN - ASSEMBLY INSTRUCTIONS

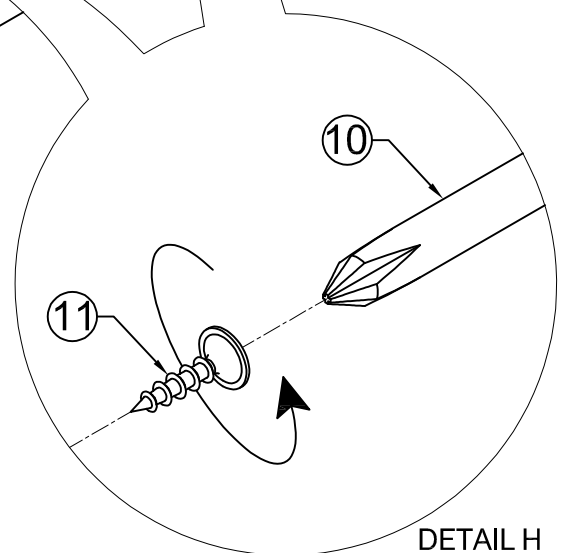


RHBABY&CHILD
RHTEEN

KOLDEN BUNK BED TWIN - ASSEMBLY INSTRUCTIONS

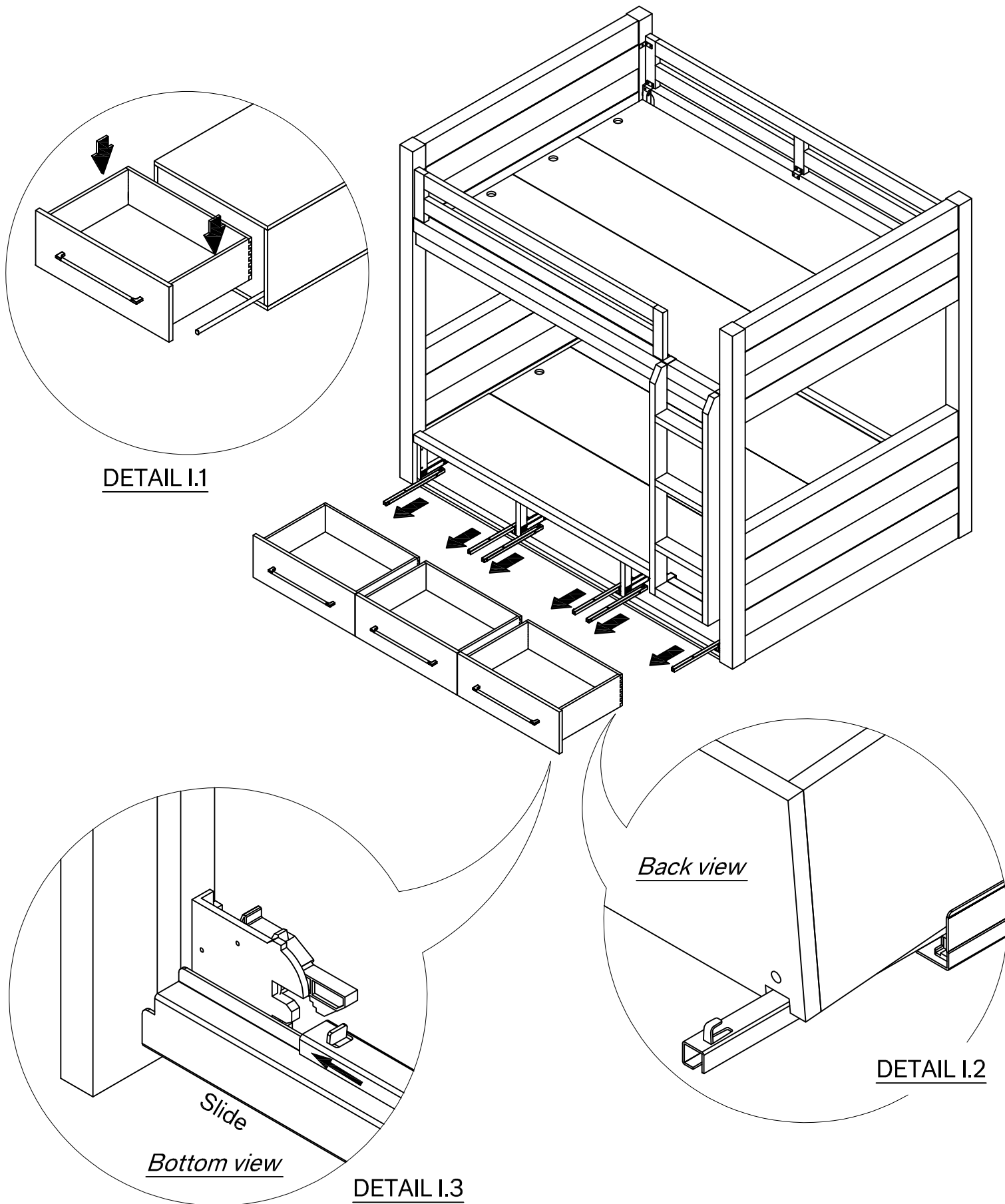


ASSEMBLY IS COMPLETE



RHBABY&CHILD
RHTEEN

KOLDEN BUNK BED TWIN - ASSEMBLY INSTRUCTIONS



RHBABY&CHILD
RHTEEN

KOLDEN BUNK BED TWIN - ASSEMBLY INSTRUCTIONS

