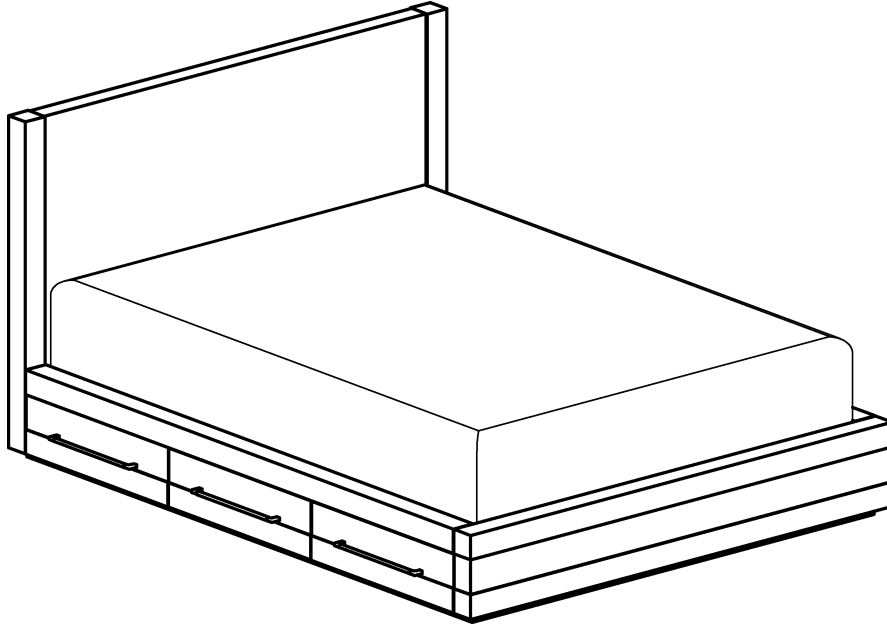


KOLDEN STORAGE BED - TWIN AND FULL - ASSEMBLY INSTRUCTIONS



WARNING: Read all instructions before assembling this product. **KEEP INSTRUCTIONS FOR FUTURE USE.**



CUSTOMER SERVICE

If you are missing parts or have any questions about this product, contact us first. You can also order parts by writing to the address below. Include the product model number, color, and a brief description of the part.
Call 1-800-762-1005.

Distributed in the USA by:
RH Baby&Child
2900 N MACARTHUR DRIVE
TRACY, CA 95376
www.rhbabyandchild.com

Distributed in Canada by:
RH Canada, Inc.
1500-1055 West Georgia Street
Vancouver, British Columbia
V6E4N7

CARE AND CLEANING

DO NOT scratch or chip the finish. **DO NOT** use abrasive chemicals for cleaning. Dust often using a clean, soft, dry cloth. Blot spills immediately and wipe with a clean, damp cloth. If the bed is to be stored, store in a cool, dry place and carefully package all original hardware to protect from loss.

TOOLS AND INSTALLATION

Tools needed: Allen wrench (included)
Wrench (included)
Screwdriver (not included)

Note: It may be easier to assemble product with two people.

NOTE: When inserting bolts, turn clockwise until tight. Then loosen $\frac{1}{2}$ - $\frac{3}{4}$ of a turn. After bed is completely assembled, return to each bolt and tighten. Use wax or soap on all bolts to facilitate assembly.

KOLDEN STORAGE BED - TWIN AND FULL - ASSEMBLY INSTRUCTIONS

PARTS INCLUDED

- A. HEADBOARD (1)
- B. FOOTBOARD (1)
- C. STORAGE FRAME & DRAWER (1)
- D. SIDE RAIL (1)
- E. BED SLATS (4)
- F. PLATFORM PANEL (2)







CARE INSTRUCTIONS

To clean, use a damp cloth. Do not use abrasives.

IMPORTANT SAFETY INSTRUCTIONS

Professional installation is strongly recommended. For your safety, it is recommended that two people assemble the bed.

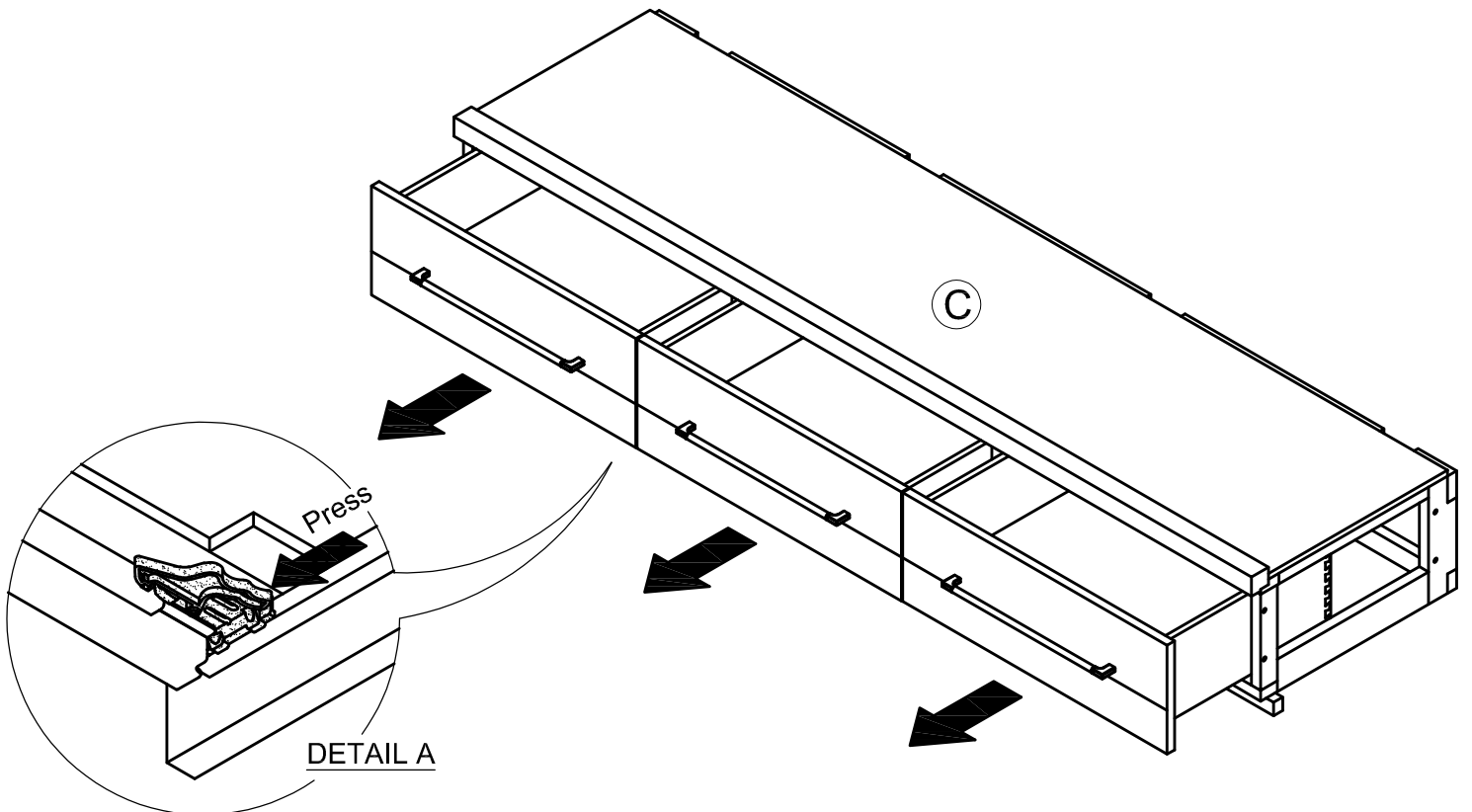
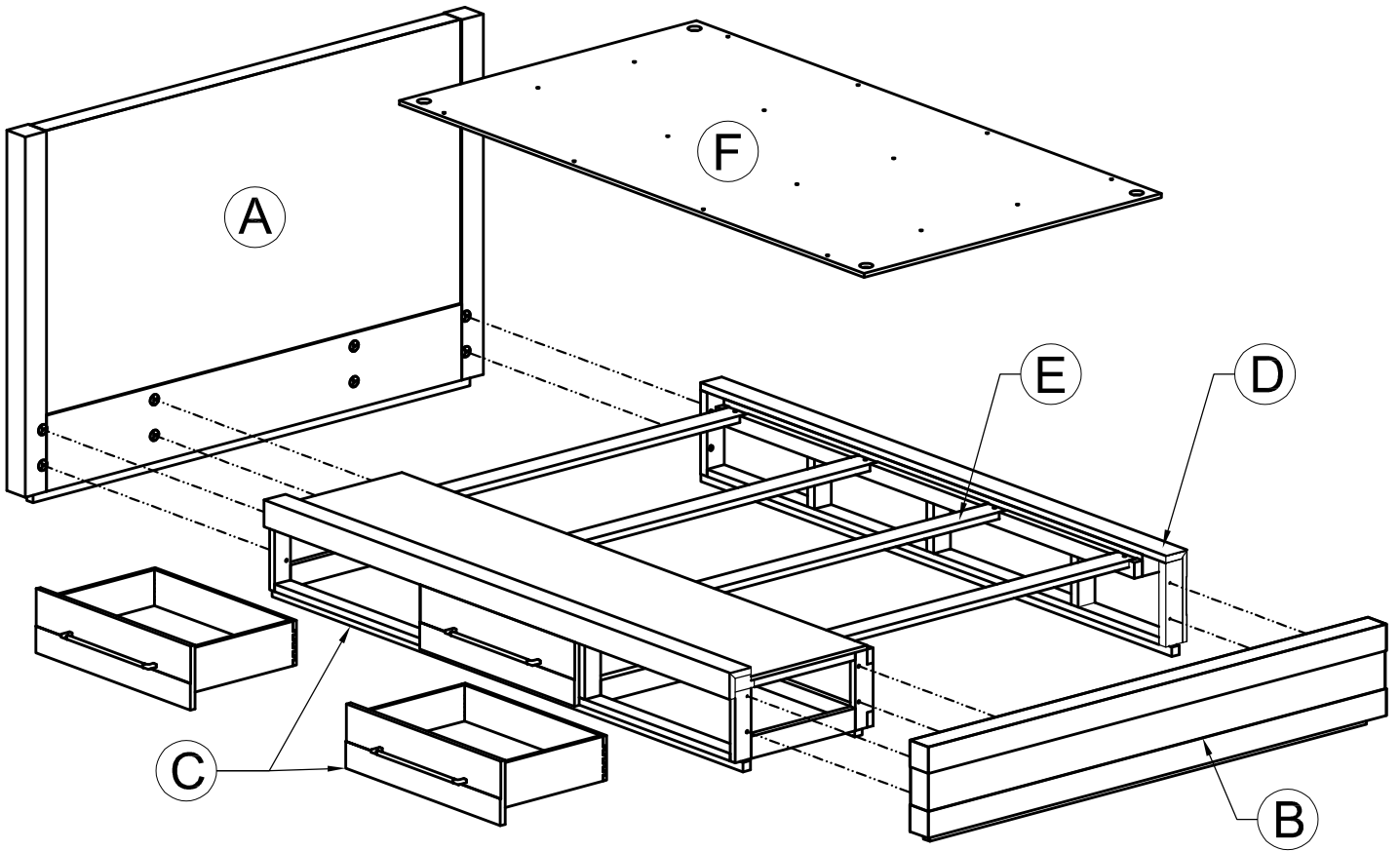
These instructions are provided for your safety. It is important that they are read carefully and completely before assembling the bed.

NO.	ITEM	DESCRIPTION	QTY.
1		Bolt M8x50	12 Pcs.
2		Spring washer M8	12 Pcs.
3		Flat washer M8	12 Pcs.
4		Allen wrench 4	1 Pc.
5		Steel screw Ø4x25	16 Pcs.
6		Screwdriver	Not Included

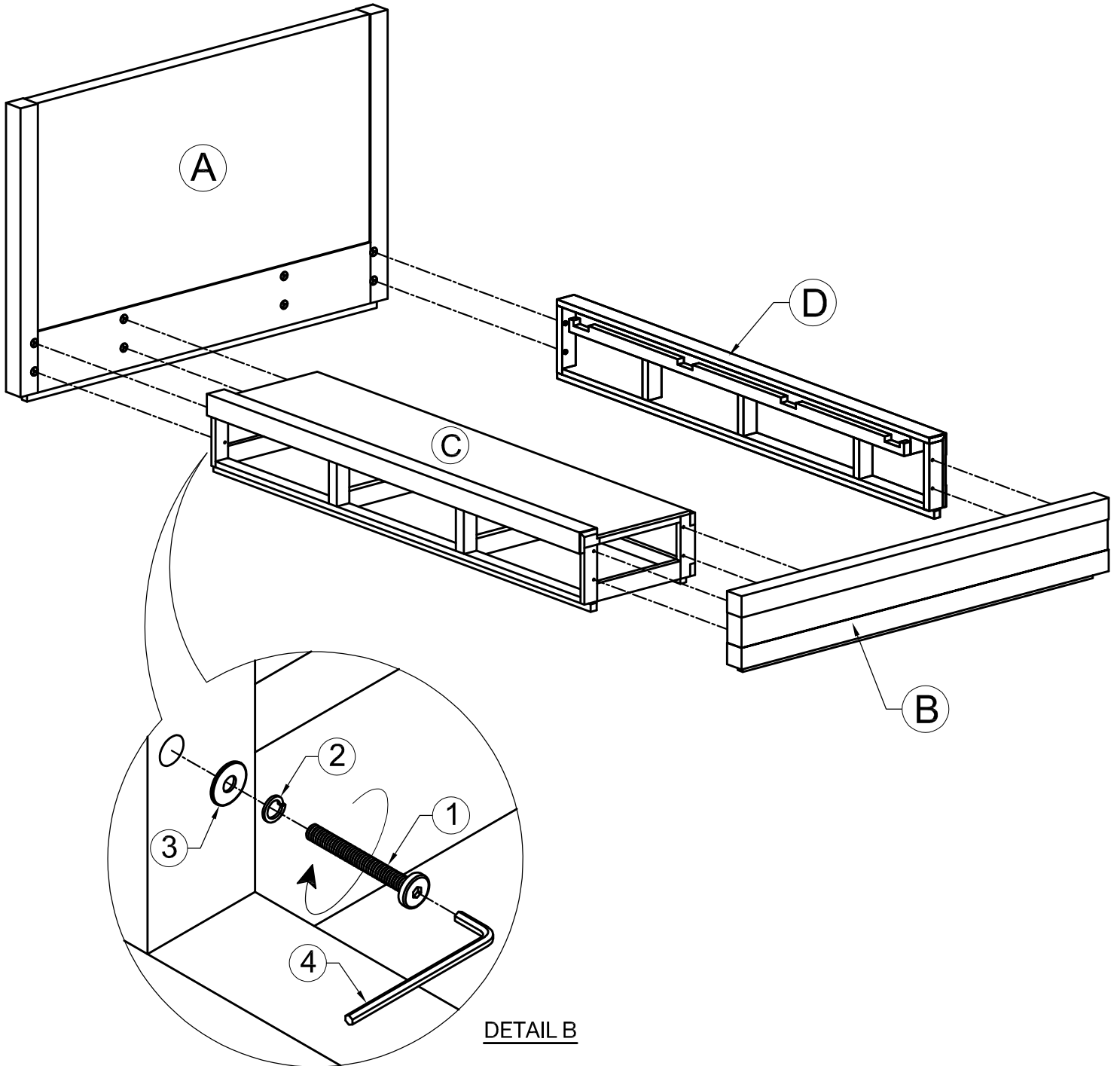
ASSEMBLY INSTRUCTIONS

1. Unpack all parts and place them on a protected work surface.
2. Fully remove all drawers out of storage frame (C). See DETAIL A.
 - Pull the drawer open until it's as far out as possible and the guides are fully extended.
 - Use both hands to simultaneously press both plastic levers at bottom side of drawer. Hold the levers and gently pull forward, then the drawer can be easily lifted out of the system.
3. Hold the headboard (A) upright in the desired location.
 - Attach the storage frame (C) and side rail (D) into headboard (A) by using 6x bolts (1), 6x spring washers (2) and 6x flat washers (3). See DETAIL B.
4. Repeat step 3 to attach storage frame and side rail into footboard.
5. Fully tighten all bolts.
6. Set bed slats (E) into frame, then affix them with 8x screws (5) using screwdriver (4). See DETAIL C.
7. Place platform panels (F) on top of slats, then affix with 8x screws (5) using screwdriver (4). See DETAIL D.
8. Install the drawers back into the storage compartments. See DETAIL E.
 - Pull out the installed slider. Place the drawer box over the extended slides.
 - Check that the cutout at the bottom rear of the drawer aligns with the metal slider.
 - Pull the extended slides into the clips under the drawer until they click into place.
 - Adjust the gap of the drawer by turning the gear clockwise/counterclockwise.
9. Assembly is complete.

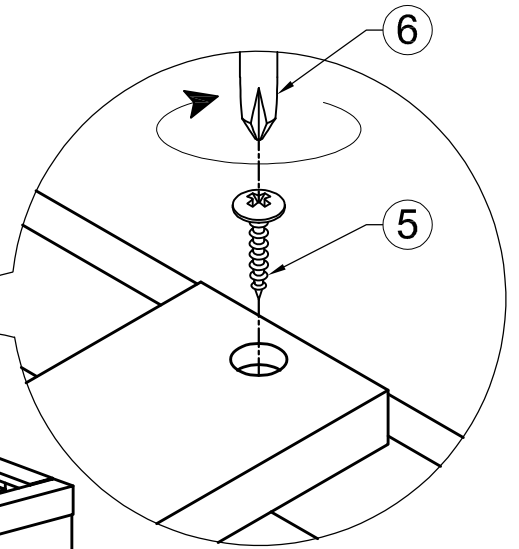
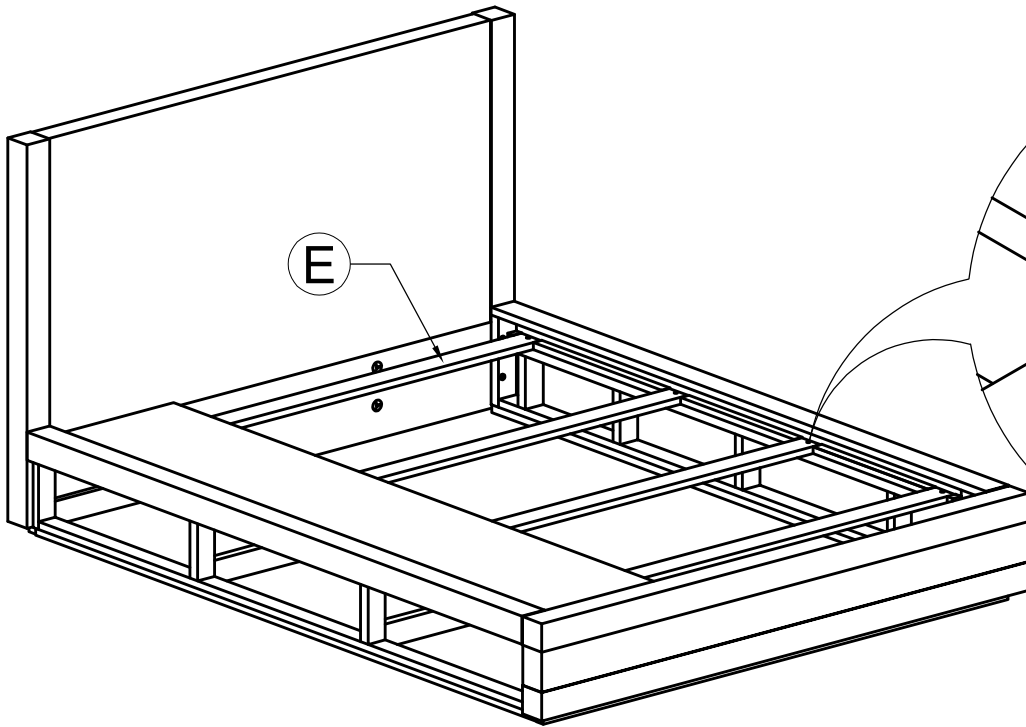
KOLDEN STORAGE BED - TWIN AND FULL - ASSEMBLY INSTRUCTIONS



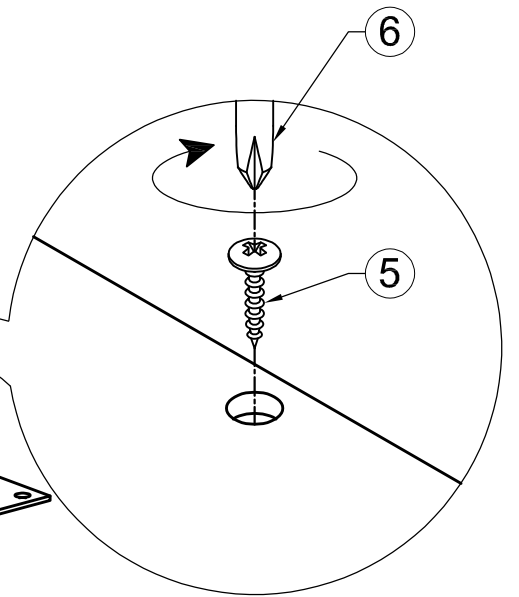
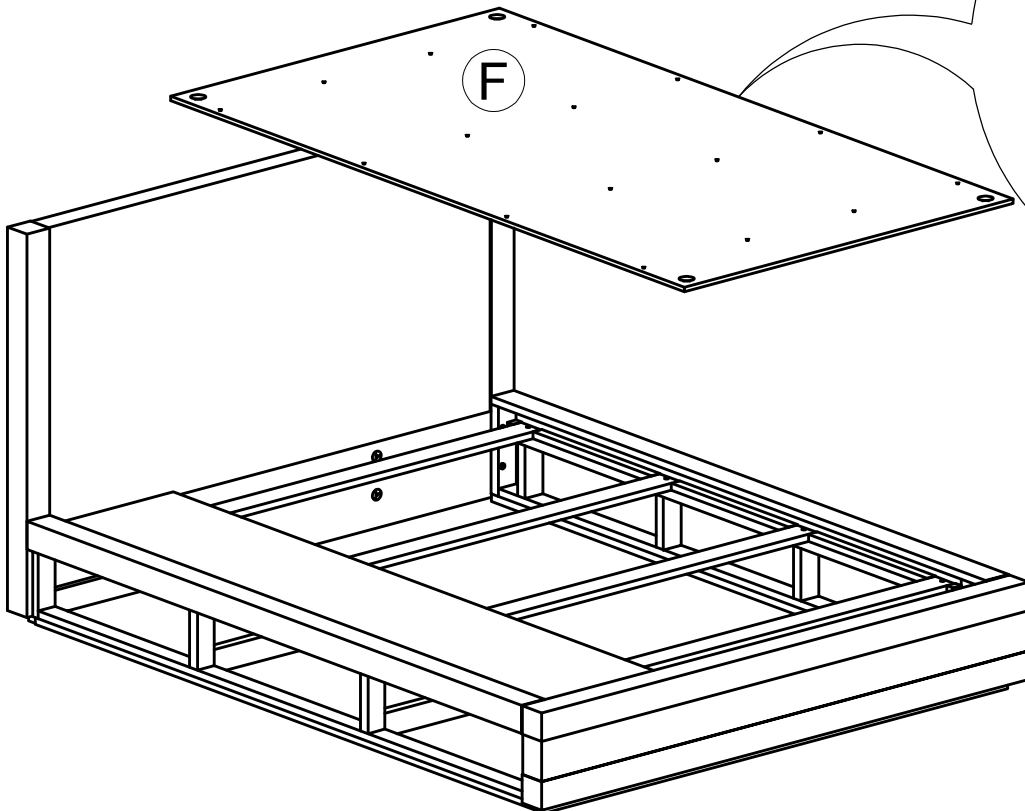
KOLDEN STORAGE BED - TWIN AND FULL - ASSEMBLY INSTRUCTIONS



KOLDEN STORAGE BED - TWIN AND FULL - ASSEMBLY INSTRUCTIONS



DETAIL C



DETAIL D

KOLDEN STORAGE BED - TWIN AND FULL - ASSEMBLY INSTRUCTIONS

