





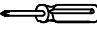


RH BABY & CHILD RH TEEN

KOLDEN WIDE DRESSER - ASSEMBLY INSTRUCTIONS

PARTS INCLUDED

A [1] DRESSER

NO.	ITEM	DESCRIPTION	QTY.
1		Metal cord	1 PC
2		Bracket	1 PC
3		Clevis pin	2 PCS
4		Hair pin	2 PCS
5		Stainless steel screw	2 PCS
6		Toggle bolt	2 PCS
7		Screwdriver	Not included

CARE INSTRUCTIONS

1. To clean, use a soft, dry or damp cloth.
2. Do not use any abrasive cleaners.

IMPORTANT SAFETY INSTRUCTIONS

1. Professional installation is strongly recommended.
2. For your safety, it is recommended that at least two adults assemble the dresser.
3. These instructions are provided for your safety. It is important that they are read carefully and completely before assembling the dresser.

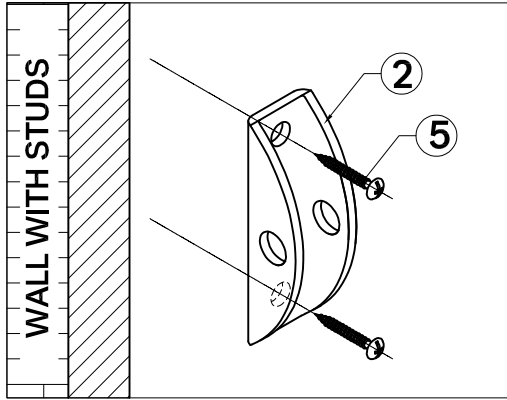
INSTRUCTIONS TO INSTALL THE ANTI-TIP KIT

ATTACH TO WALL STUD WHERE POSSIBLE
OR
HAVE A PROFESSIONAL INSTALL THE ANTI-TIP KIT TO A MASONRY OR CONCRETE WALL

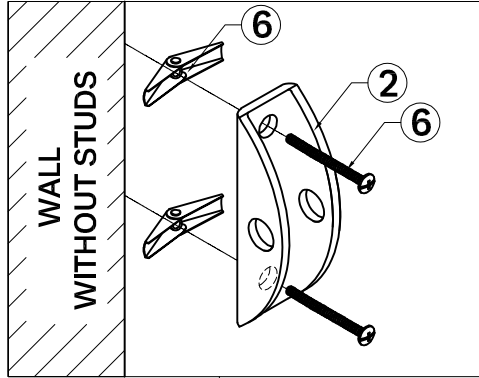
1. Unpack all parts and place them on a protected work surface. Determine the final position of the dresser. Position the metal bracket (2) on the wall stud approximately 2" below the metal bracket mounted to the back of the dresser. Mark and drill a pilot hole into the center of stud with 3/32" drill bit. Attach metal bracket (2) into the wall by using screws (5). See Detail A. If the stud cannot be located, use toggle bolts (6). See Detail B.
2. Move the dresser into position with the brackets on the back edge in line with the brackets in the wall.
3. Insert the clevis pin (3) through holes on brackets and hole on metal cord (1). Using hair pin (4), go through small hole on clevis pin (3) to lock it. See Detail C.
4. Repeat above step to attach the end of metal cord (1) to the metal bracket on the wall. See Detail C.
5. Check to make sure the metal cord is securely laced and locked to the brackets.

RH BABY & CHILD RH TEEN

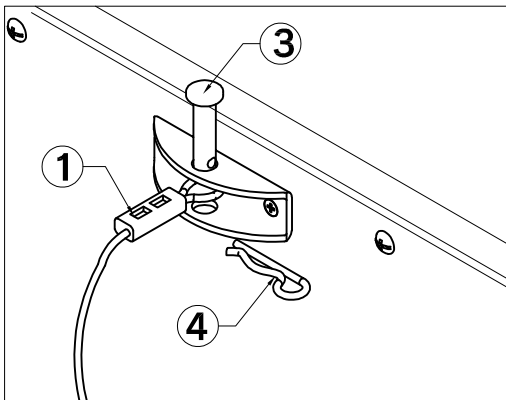
KOLDEN DRESSER - ASSEMBLY INSTRUCTIONS



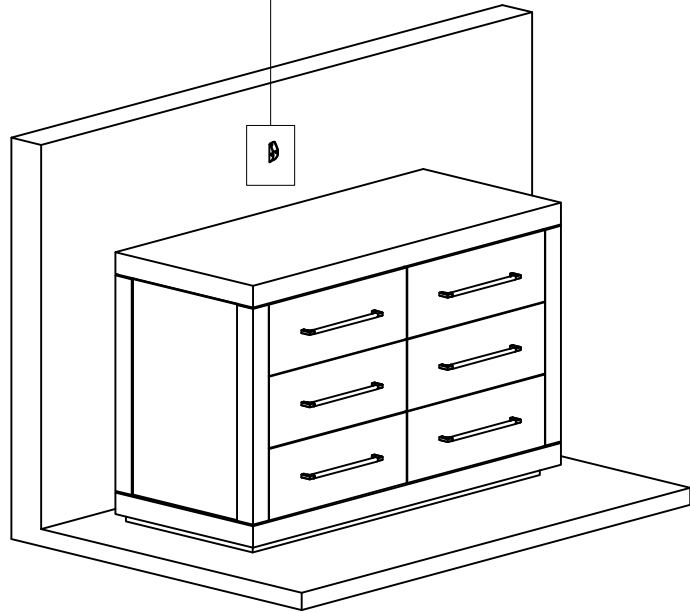
DETAIL A



DETAIL B



DETAIL C



MOVE THE DRESSER TO THE WALL AFTER
THE ANTI-TIP KIT IS INSTALLED.

