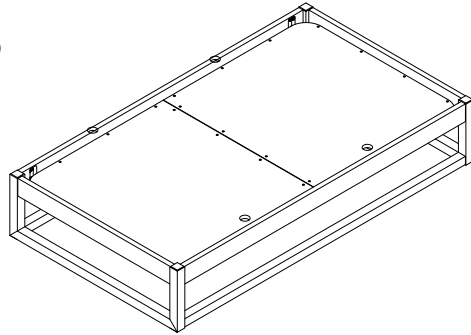


# RHTEEN

## LAGUNA TWIN PLATFORM BED

### PARTS INCLUDED

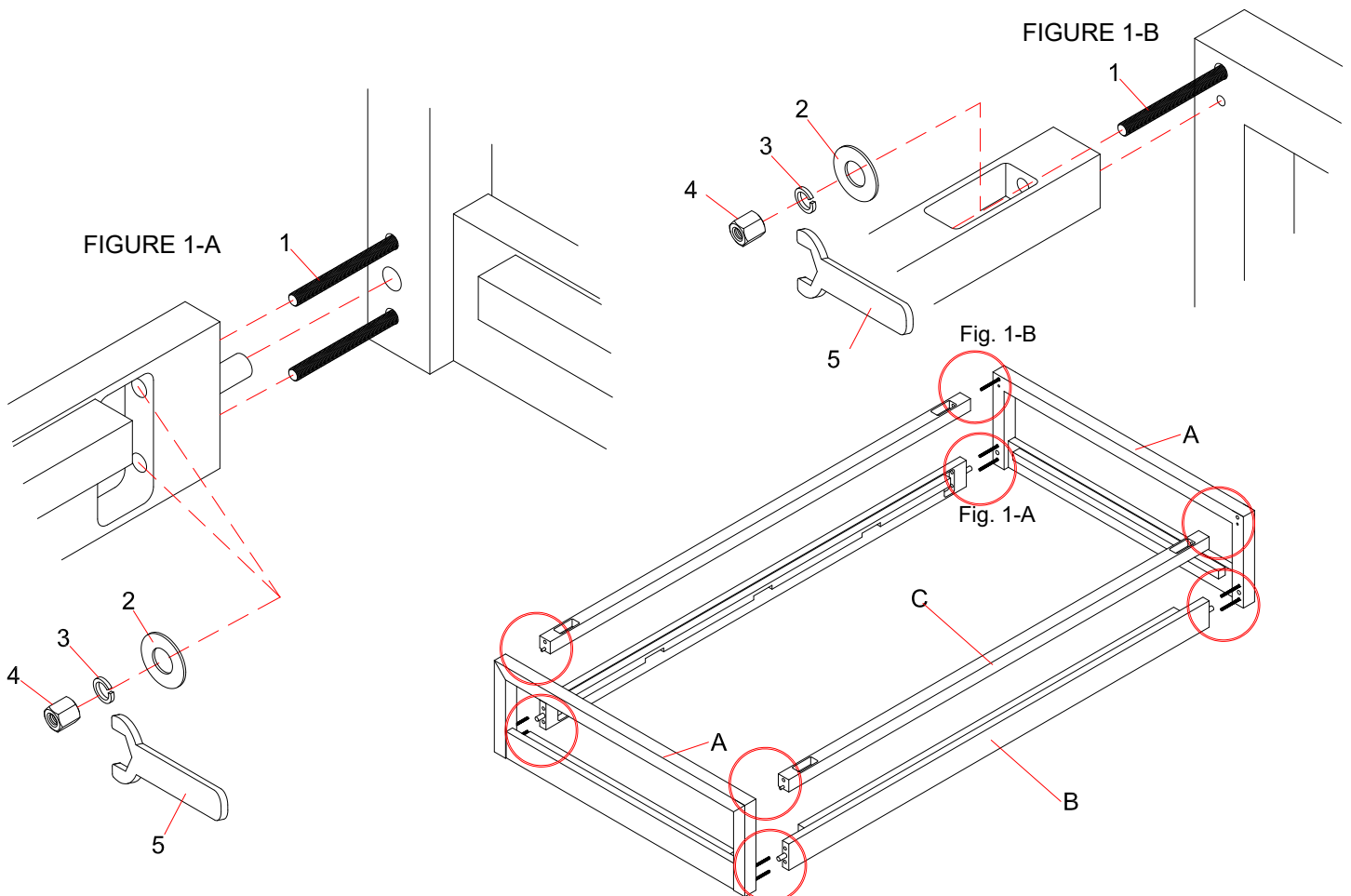
- A [1] HEADBOARD & FOOTBOARD
- B [2] SIDE RAILS
- C [2] BOTTOM SIDE RAIL
- D [3] BED SLATS
- E [2] PLATFORM PANEL



NO.	ITEM	DESCRIPTION	QTY.
1		Threaded Rod	12 pcs.
2		Plain Washer	12 pcs.
3		Lock Washer	12 pcs.
4		Hex Nut	8 pcs.
5		Wrench	1 pc.
6		Phillip Screw	34 pcs.

### ASSEMBLY INSTRUCTIONS:

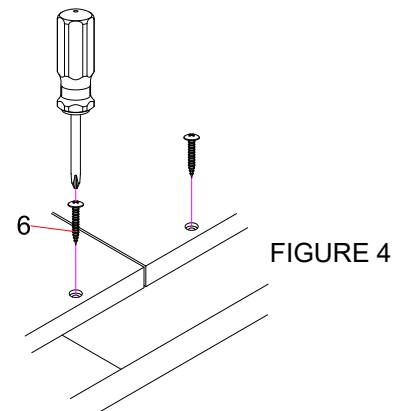
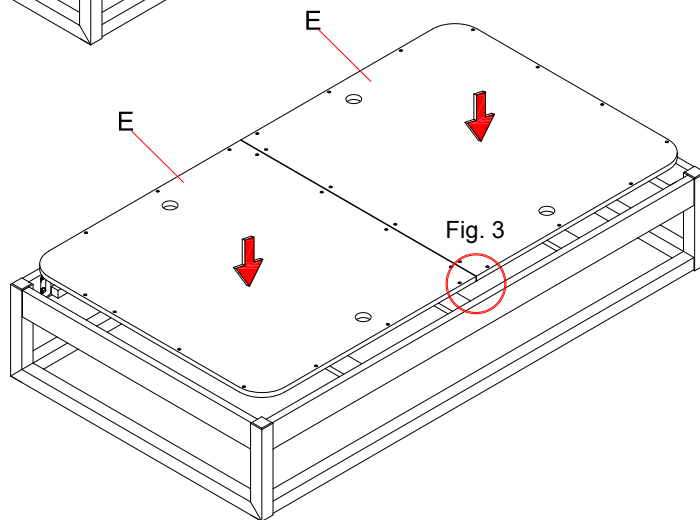
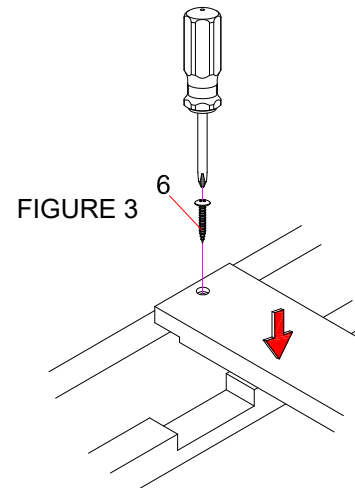
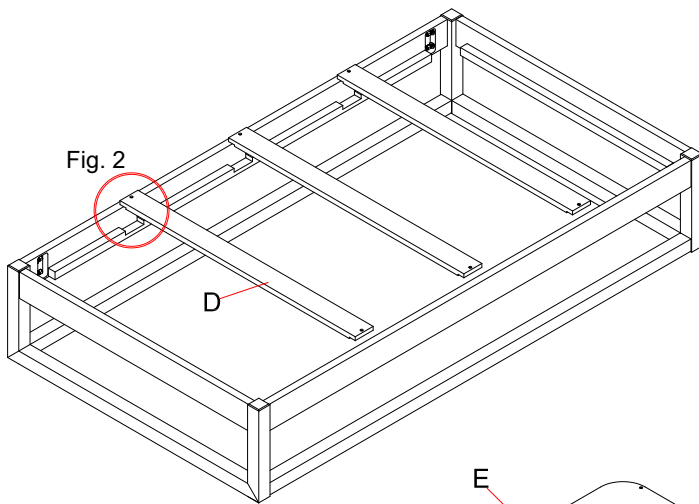
1. Lay the Headboard (A) upside down on a scratch free surface.
2. Secure the threaded rod (1) to the fixed nut in the headboard (A) by simply turning it manually.
3. Raise the side rail (B) up and place the rod (1) to align with the bore holes on the end of the side rail (B), Bottom side rail (C). Put the side rail (B), Bottom side rail (C) up against the headboard (A) so the threaded rods (1) go through the bore holes. Insert plain washer (2), lock washer (3) and place hexagon nuts (4) on threaded rod (1) then tighten the hex nuts (4) with wrench (5), as illustrated in FIGURE 1A & 1B.
4. Repeat the above procedure with the other side rail (B), bottom side rail (C) to attach it to the headboard (A), and then repeat to connect side rails (B) to the footboard (A).



# RHTEEN

## LAGUNA TWIN PLATFORM BED

5. Place the Bed assembled upright in the position you wish the bed to be in when fully assembled.
6. Set the Bed slat (D) into the cavities on the slat holder rails of the side rails (B). Once the slats are set, secure this with screws (6) provided, as illustrated in FIGURE 3.
7. Set the platform panel (E) on the bed slat and then use screw (6) to fixed it with bed slat. See FIGURE 4.
8. Assembly is complete.



### CARE INSTRUCTIONS

1. Dust often using a clean, soft, dry and lint-free cloth.
2. Blot spills immediately and wipe with a clean, damp, cloth.
3. We do not recommend the use of chemical cleansers, abrasives or furniture polish on our lacquered finish.

### IMPORTANT SAFETY INSTRUCTIONS

1. Please read all instructions carefully before assembling.
2. For your safety, assembly by two or more adults is strongly recommended.
3. Keep instructions for future use.
4. Use only vendor supplied hardware to assemble. Using unauthorized hardware could jeopardize the structural integrity of the item.