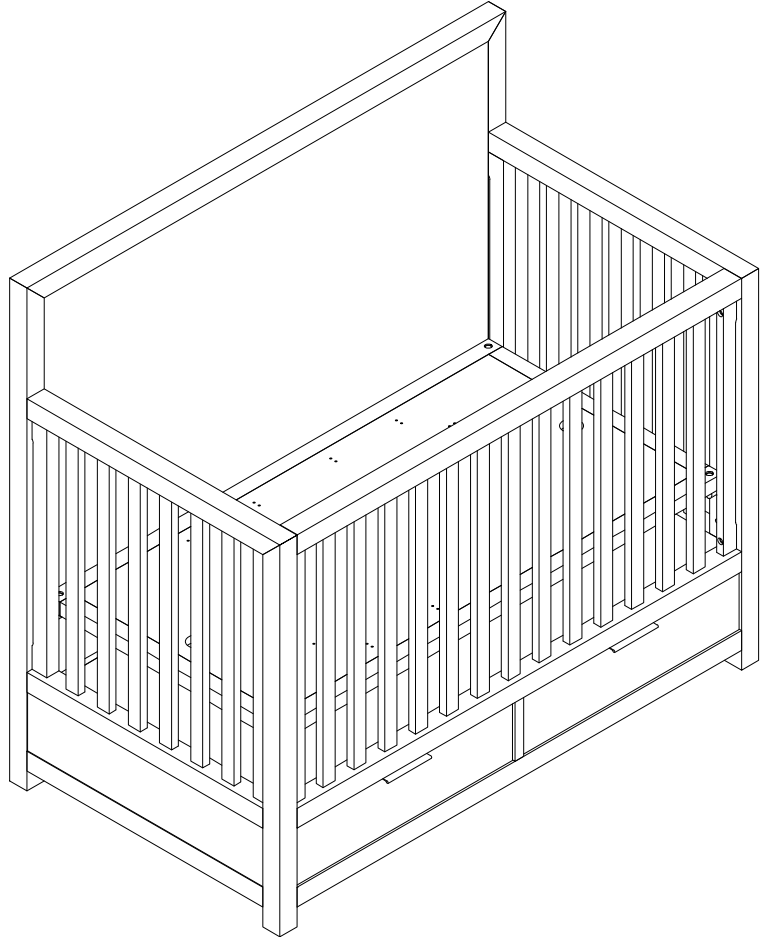


RHBABY&CHILD

LAGUNA STORAGE CONVERSION CRIB - ASSEMBLY INSTRUCTIONS

Made in Vietnam
Distributed in the USA by:
RHBaby&Child
2900 North Macarthur Dr.
Tracy, CA 95376
USA
www.rhbabyandchild.com

Distributed in Canada by:
RH Canada, Inc.
1500-1055 West Georgia Street
Vancouver, British Columbia V6E4N7



WARNING: Read all instructions before assembling this product. **KEEP INSTRUCTIONS FOR FUTURE USE.**

CUSTOMER SERVICE

If you are missing parts or have any questions about this product, contact us first. You can also order parts by writing to the address above. Include the product model number, color, and a brief description of the part. Or call 1-800-762-1005.

CARE AND CLEANING

DO NOT scratch or chip the finish. **DO NOT** use abrasive chemicals for cleaning. Dust often using a clean, soft, dry cloth.

Blot spills immediately and wipe with a clean, damp cloth. If the crib is to be stored, store in a cool, dry place and carefully package all original hardware to protect from loss.

TOOLS NEEDED

Allen Wrench (included)

NOTE: Two people are recommended for assembly.

NOTE: When inserting bolts, turn clockwise until tight. Then loosen $\frac{1}{2}$ - $\frac{3}{4}$ of a turn. After crib is completely assembled, return to each bolt and tighten. Use wax or soap on all bolts to facilitate assembly.

IMPORTANT SAFETY INFORMATION FOR CRIBS



WARNING: Infants can suffocate on soft bedding. Never add a pillow or comforter. Never place additional padding under an infant.



WARNING: Failure to follow these warnings and the assembly instructions could result in serious injury or death.

- To reduce the risk of SIDS, pediatricians recommend healthy infants to be placed on their backs to sleep, unless otherwise approved by your physician.

Strangulation Hazard:

- Strings can cause strangulation! **DO NOT** place items with a string around a child's neck, such as hood strings or pacifier cords. **DO NOT** suspend strings over a crib or attach strings to toys.
- To help prevent strangulation, tighten all fasteners. A child can snag parts of the body or clothing on loose fasteners.
- **DO NOT** place a crib near a window where cords from blinds or drapes may strangle a child.

Fall Hazard:

- When a child is able to pull to a standing position, set mattress to lowest position and remove bumper pads, large toys, and other objects that could serve as steps for climbing out.
- When a child is able to climb out or reaches the height of 35" (89cm), the crib should no longer be used, and the child should be placed in a youth or regular bed.
- Check this product for damaged hardware, loose joints, missing parts or sharp edges before and after assembly and frequently during use. Securely tighten loose bolts and other fasteners. **DO NOT** use crib if any parts are missing, damaged, or broken. Contact customer service at 1-800-762-1005 for replacement parts and instructional literature, if needed.
- **DO NOT** substitute parts.
- **DO NOT** use a water mattress with this crib.
- If refinishing, use a non-toxic finish specified for children's products.
- Follow warnings on all products in a crib.
- Never use plastic shipping bags or other plastic film as mattress covers because they can cause suffocation.
- Infants can suffocate in gaps between crib sides and a mattress that is too small.

IMPORTANT SAFETY INFORMATION FOR CRIBS

CAUTION: ANY MATTRESS USED IN THIS CRIB SHOULD BE AT LEAST 27 1/4" X 51 5/8" WITH A THICKNESS NOT EXCEEDING 6".



WARNING

Do not use this crib if you cannot exactly follow the instructions provided.

Do not use this crib for a child who can climb out of it or who is taller than 35" (89cm).

Do not place in or near the crib any cord, strap, or similar item that could become wrapped around a child's neck.

Do not place this crib near a window or patio door where a child could reach the cord of a blind or curtain and get strangled.

Check this crib regularly before using it, and do not use if any part is loose or missing or if there are any signs of damage.

Do not substitute parts. Contact the manufacturer if replacement parts or additional instructions are needed.

Children can suffocate on soft bedding. Do not place pillows, comforters, or soft mattresses in this crib.

Use a mattress that is no thicker than 15cm in height, and when pushed firmly against any side of the crib, there should not be a gap of more than 3cm between the mattress and any part of any other side of the crib.

IMPORTANT SAFETY INFORMATION FOR TODDLER AND DAYBEDS



WARNING: ENTRAPMENT / STRANGULATION HAZARD

Infants have died in toddler beds from entrapment and strangulation. Failure to follow these warnings and the assembly instructions could result in serious injury or death.

NEVER use bed with children under 15 months of age.

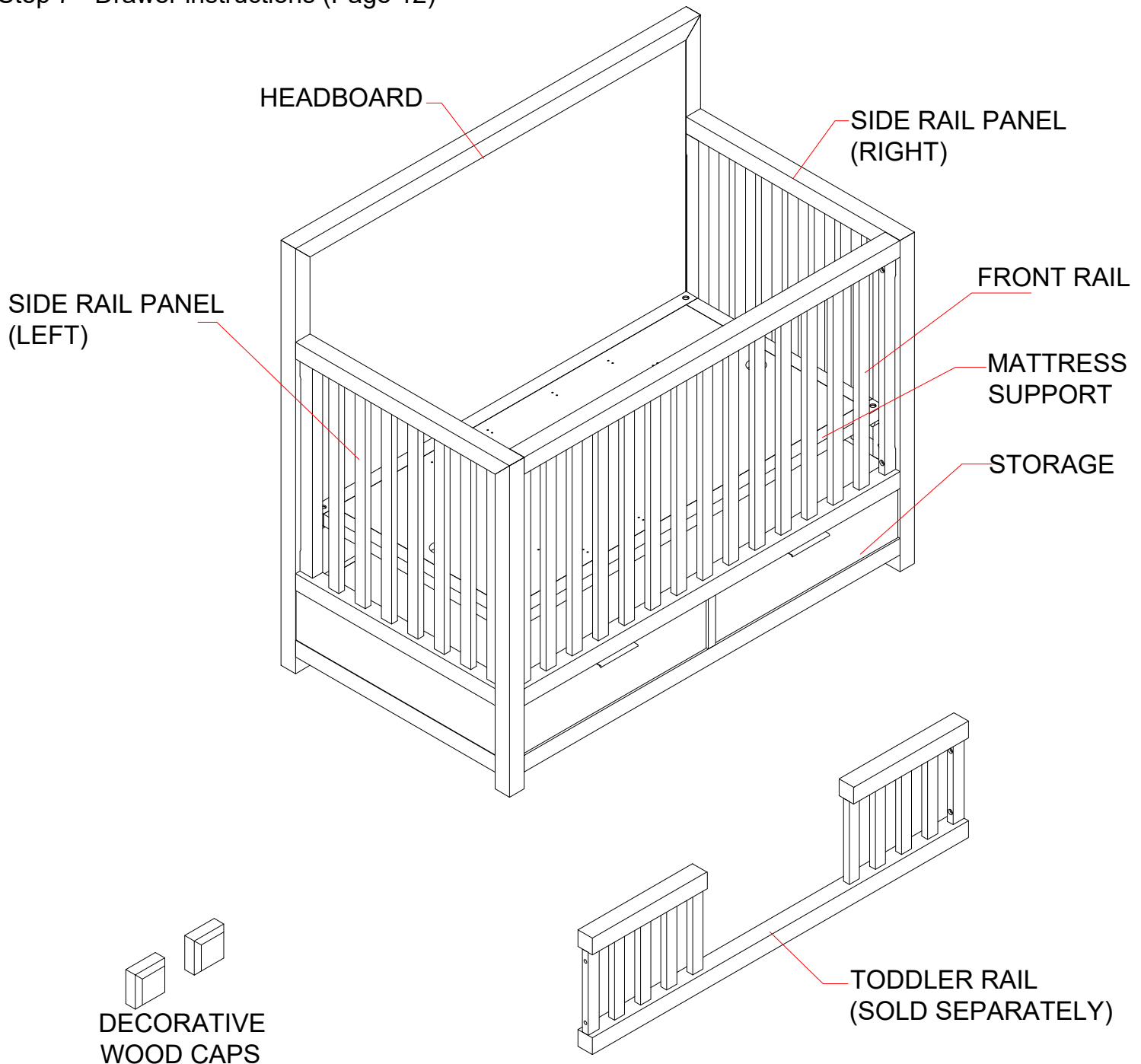
DO NOT place bed near windows where cords from blinds or drapes may strangle a child.

- The mattress intended for use on the bed is a full-size crib mattress having minimum dimensions of 51 5/8" (1310mm) in length, 27 1/4" (690mm) in width and 4" (100mm) in thickness, not exceeding 6" (150mm) in thickness.
- **DO NOT** place bed near windows where cords from blinds or drapes may strangle a child.
- **DO NOT** place items with a string, cord, or ribbon around a child's neck, such as hood strings or pacifier cords.
- **DO NOT** suspend strings over a toddler bed for any pacifier cords.
- A child using the toddler or daybed should be at least 15 months of age and not weigh more than 50lbs (22.7kgs).

ITEM IDENTIFICATION

For ease of identification, all parts are labeled to correspond to the step number in which the part is used.

- Step 1 Side rail panels and storage assembly (Page 6)
- Step 2 Mattress support assembly (Page 7)
- Step 3 Headboard assembly (Page 8)
- Step 4 Front rail assembly and hiding unused holes (Page 9)
- Step 5 Toddler rail assembly (Page 10)
- Step 6 Metal bed frame assembly (Page 11)
- Step 7 Drawer instructions (Page 12)



STEP 1

SIDE RAIL PANELS AND STORAGE ASSEMBLY

STEP 1.1

Fully remove all the drawers out of the storage.
Please see detail on page 12 to remove drawer.

STEP 1.2

Align the locator pins on the end of the storage to the corresponding holes in the side rail panel (left), insert the side rail panel into the storage.

STEP 1.3

Attach the side rail panel to the storage by using Allen bolts (DD) with the lock washers and plain washers. See **DETAIL A**.

STEP 1.4

Repeat above procedure to attach the side rail panel (right) to the storage.

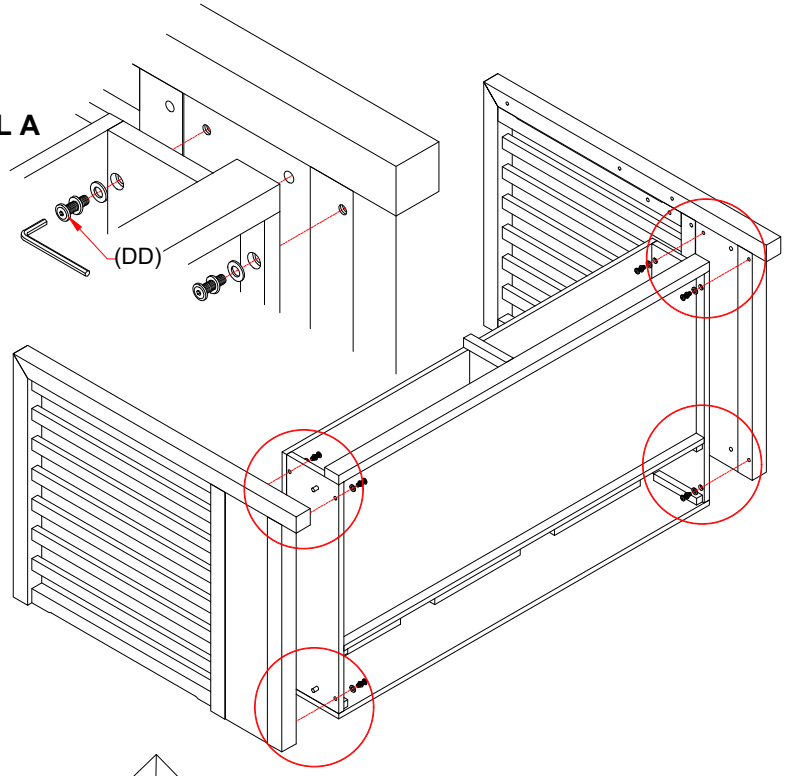
STEP 1.5

Gently tilt the crib as illustrated in **DETAIL B**.

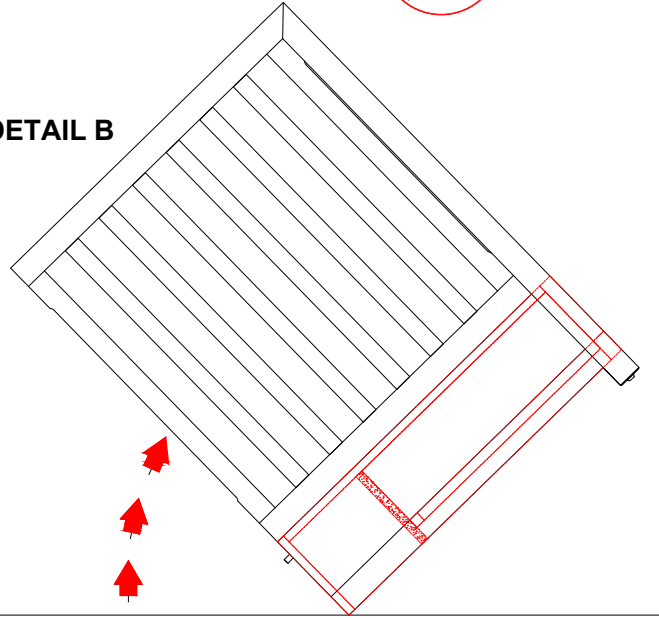
STEP 1.6

Return drawers to the storage according to the instructions on page 12. See **DETAIL C**.

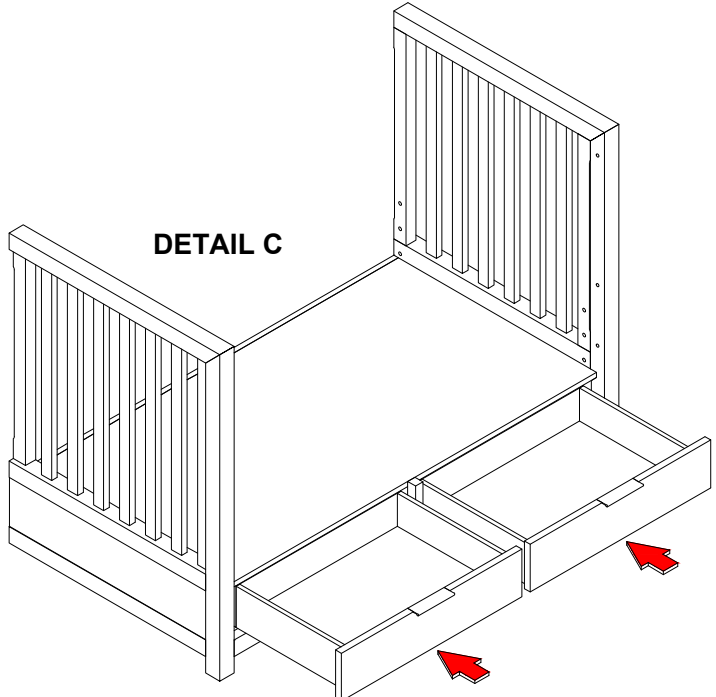
DETAIL A



DETAIL B

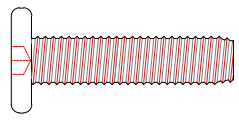


DETAIL C

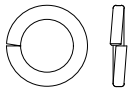


HARDWARE NEEDED FOR STEP 1

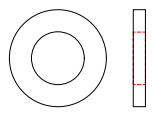
(DD) 1/4" x 1" Allen Bolt = 8 pcs



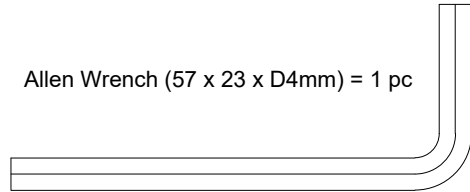
Lock Washer (Ø10 x Ø6.5 x 1.5mm) = 8 pcs



Plain Washer (Ø12 x Ø6.5 x 1.5mm) = 8 pcs



Allen Wrench (57 x 23 x D4mm) = 1 pc



STEP 2

MATTRESS SUPPORT ASSEMBLY

STEP 2.1

Insert L pin into the holes on the side rail panels. See **DETAIL D**.

WARNING:

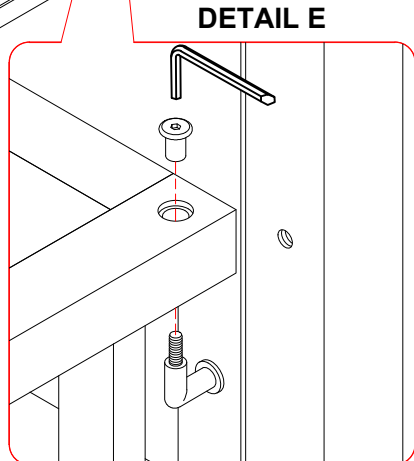
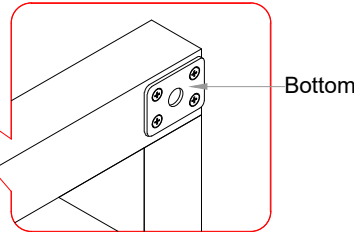
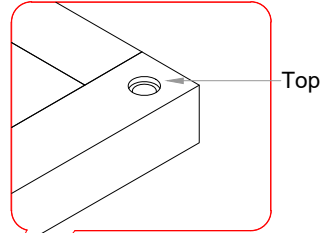
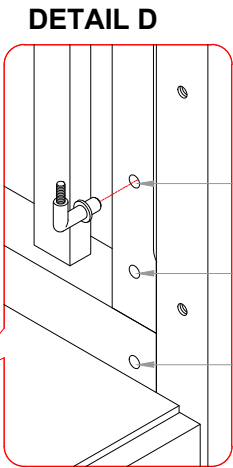
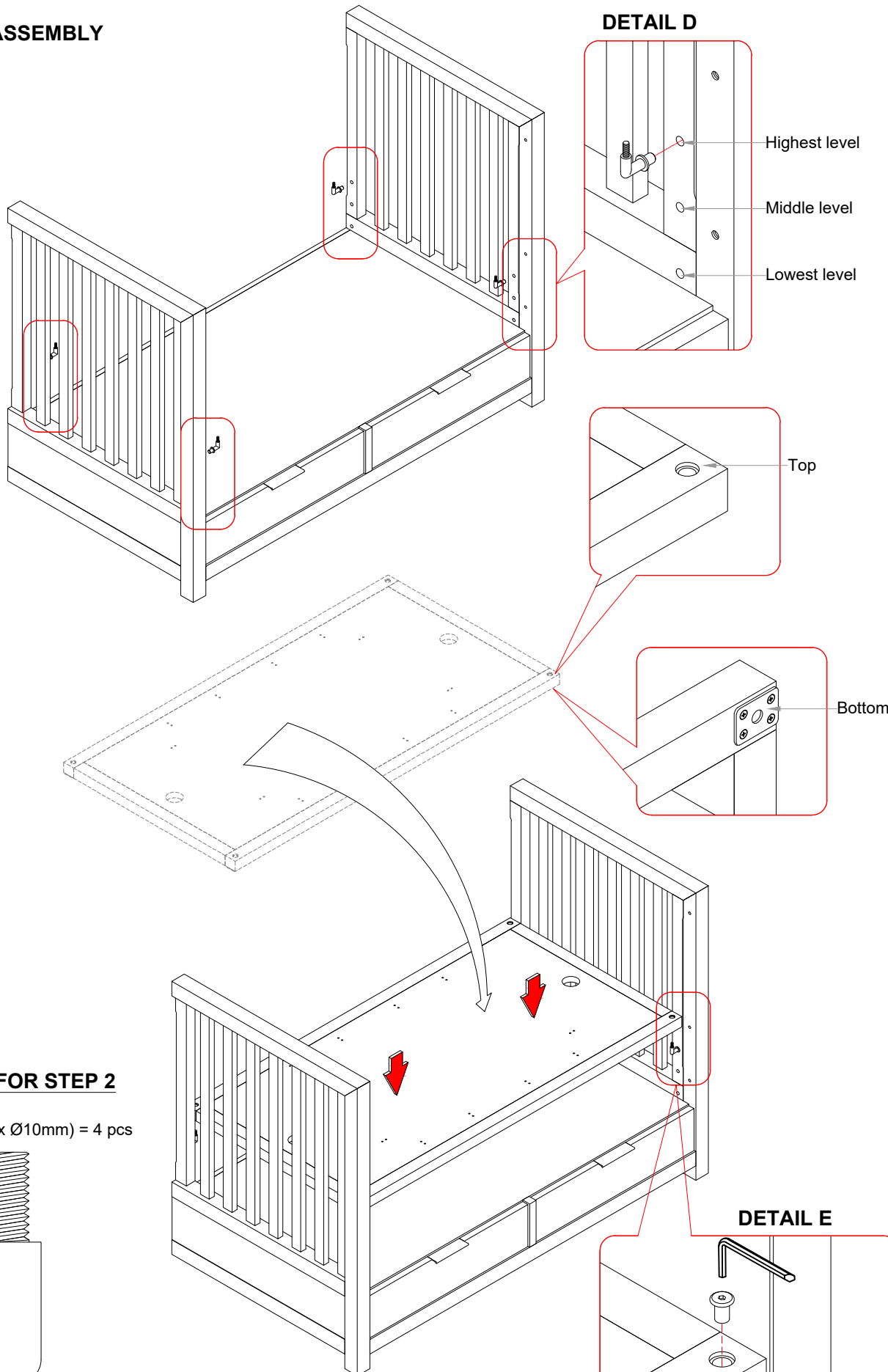
Set the mattress support to the desired height by adjusting the support arms. The mattress support should be at its highest setting for newborns, then adjusted to the lower positions as the child grows and becomes mobile. Once the child is able to stand, the mattress support should be at its lowest position.

STEP 2.2

Position the mattress support between the side rail panels. Then align L pins into the pre-drilled holes of the mattress support. See **DETAIL E**.

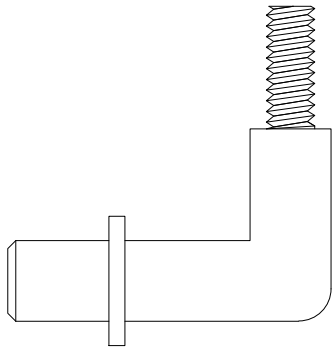
STEP 2.3

Attach the mattress support with sleeve nuts, and tighten using Allen Wrench. See **DETAIL E**.

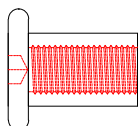


HARDWARE NEEDED FOR STEP 2

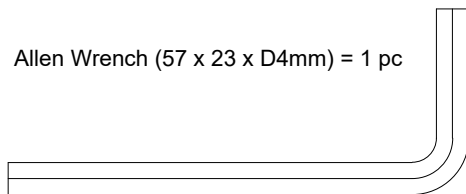
L Pin (M6 x 40 x 39 x Ø10mm) = 4 pcs



Sleeve Nut (Ø13 x M6 x 14mm) = 4 pcs



Allen Wrench (57 x 23 x D4mm) = 1 pc



STEP 3

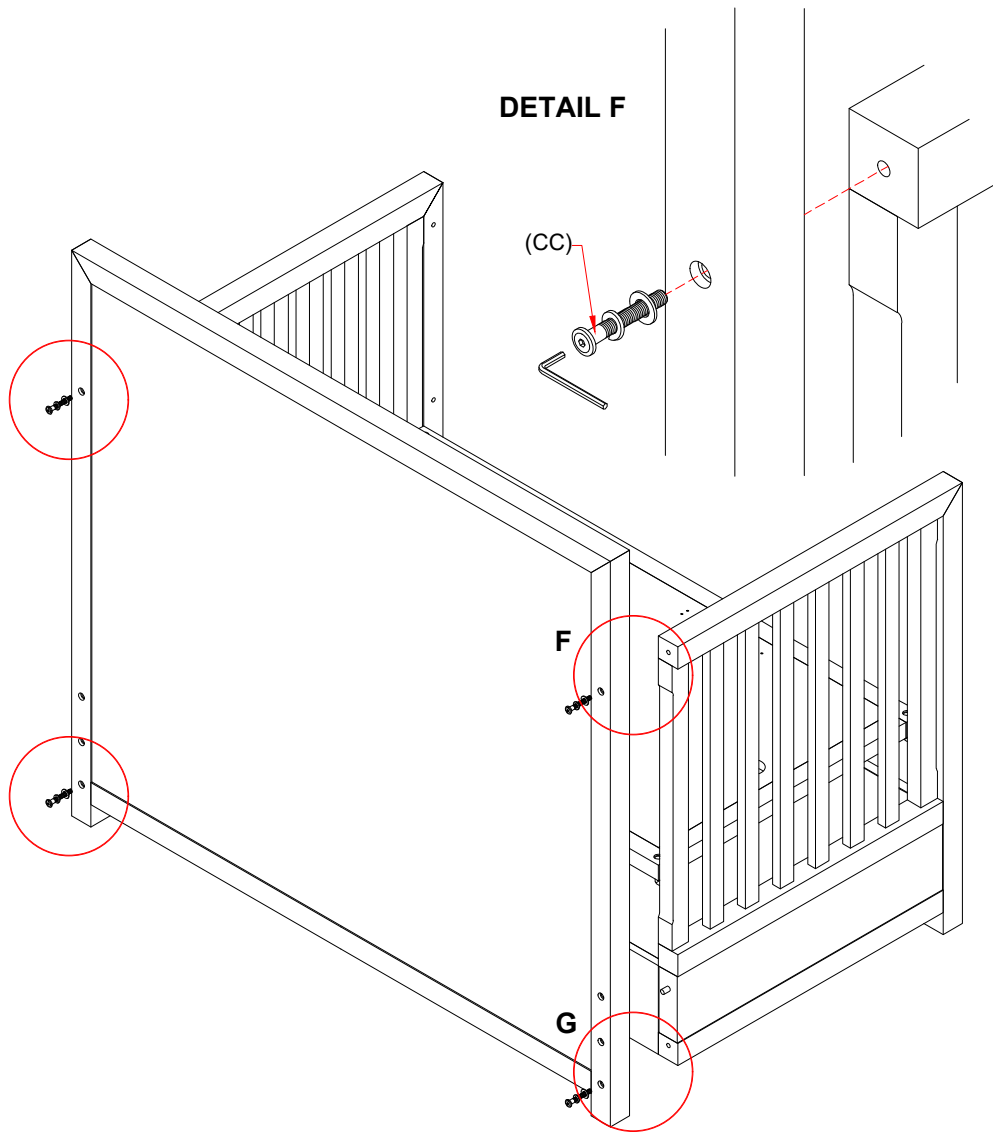
HEADBOARD ASSEMBLY

STEP 3.1

Insert the headboard into the back side of each side panels.

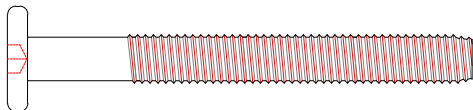
STEP 3.2

Use Allen bolts (CC), lock washers and plain washers to attach the crib headboard to the side panels. Please see **DETAIL F** and **DETAIL G**.



HARDWARE NEEDED FOR STEP 3

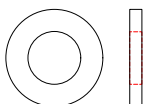
(CC) 1/4" x 2 3/16" Allen Bolt = 4 pcs



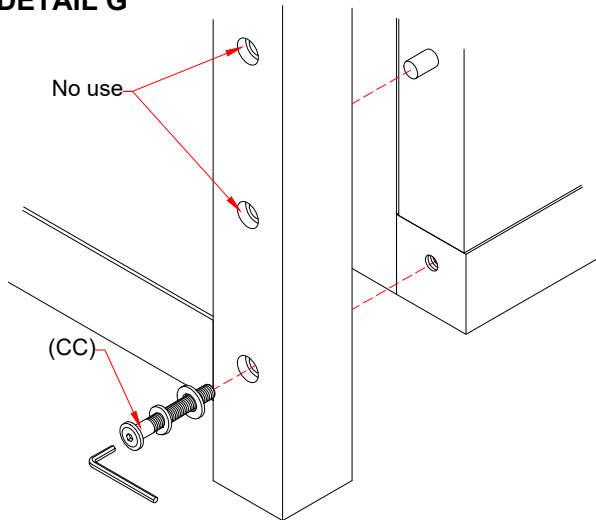
Lock Washers (Ø10 x Ø6.5 x 1.5mm) = 4 pcs



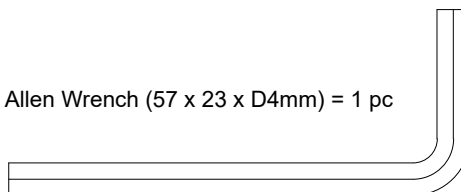
Plain Washers (Ø12 x Ø6.5 x 1.5mm) = 4 pcs



DETAIL G



Allen Wrench (57 x 23 x D4mm) = 1 pc



STEP 4

FRONT RAIL ASSEMBLY AND HIDING UNUSED HOLES

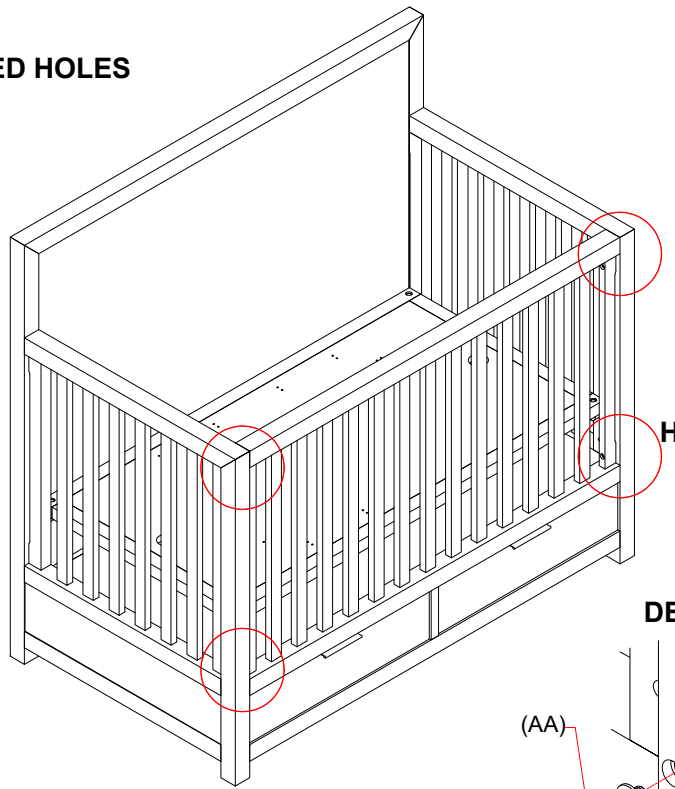
STEP 4.1

Both ends of the front rail have holes for the bolts to pass through that correspond to the holes on the posts for both side rail panels with pre-installed nuts. Attach the front rail frame to the side rail panels by using Allen bolts (AA) with lock washers and plain washers. See **DETAIL H**.

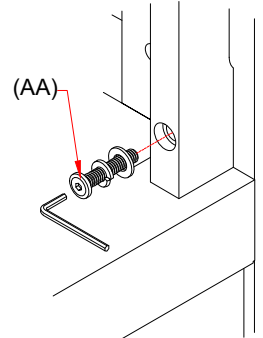
After assembly, re-tighten all bolts for a snug fit. **DO NOT OVERTIGHTEN.**

STEP 4.2

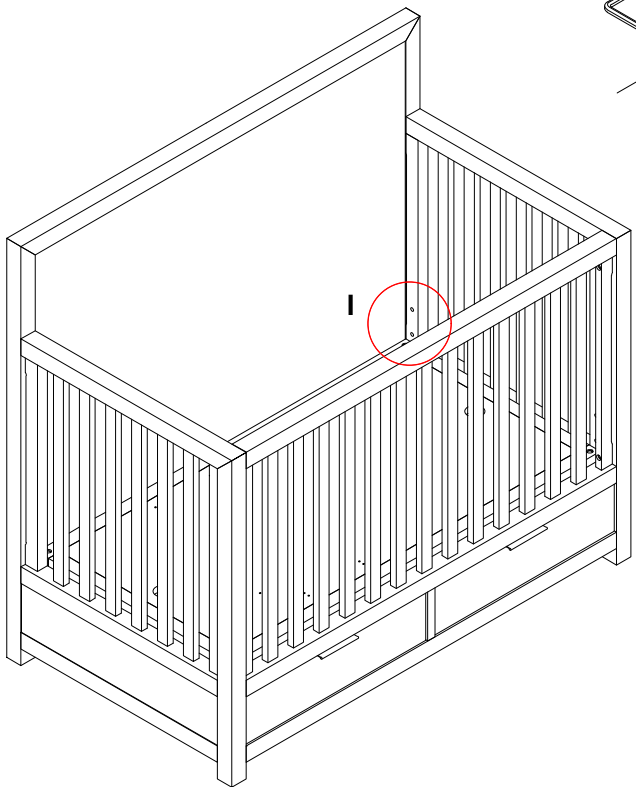
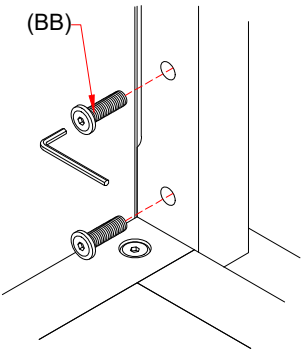
When the mattress support is in the middle or lowest setting, unused holes can hurt your child's fingers. Please use Allen bolts (BB) provided to hide these holes. See illustration in **DETAIL I**.



DETAIL H

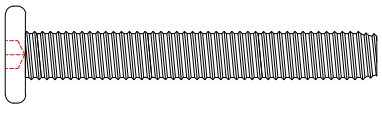


DETAIL I

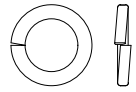


HARDWARE NEEDED FOR STEP 4

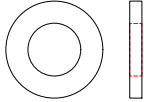
(AA) 1/4" x 1 3/4" Allen Bolt = 4 pcs



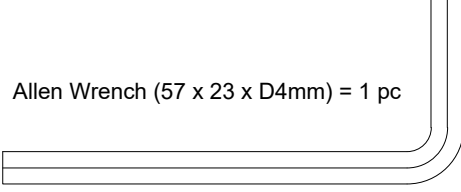
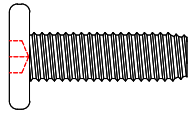
Lock Washers (Ø10 x Ø6.5 x 1.5mm) = 4 pcs



Plain Washers (Ø12 x Ø6.5 x 1.5mm) = 4 pcs



(BB) 1/4" x 13/16" Allen Bolt = 8 pcs



Allen Wrench (57 x 23 x D4mm) = 1 pc

STEP 5

TODDLER RAIL ASSEMBLY

STEP 5.1

Loosen all the bolts on both ends of the front side rail to disassemble the front side rail.

NOTE: If mattress support is not in the lowest position, unscrew mattress support bolts and move to the lowest position.

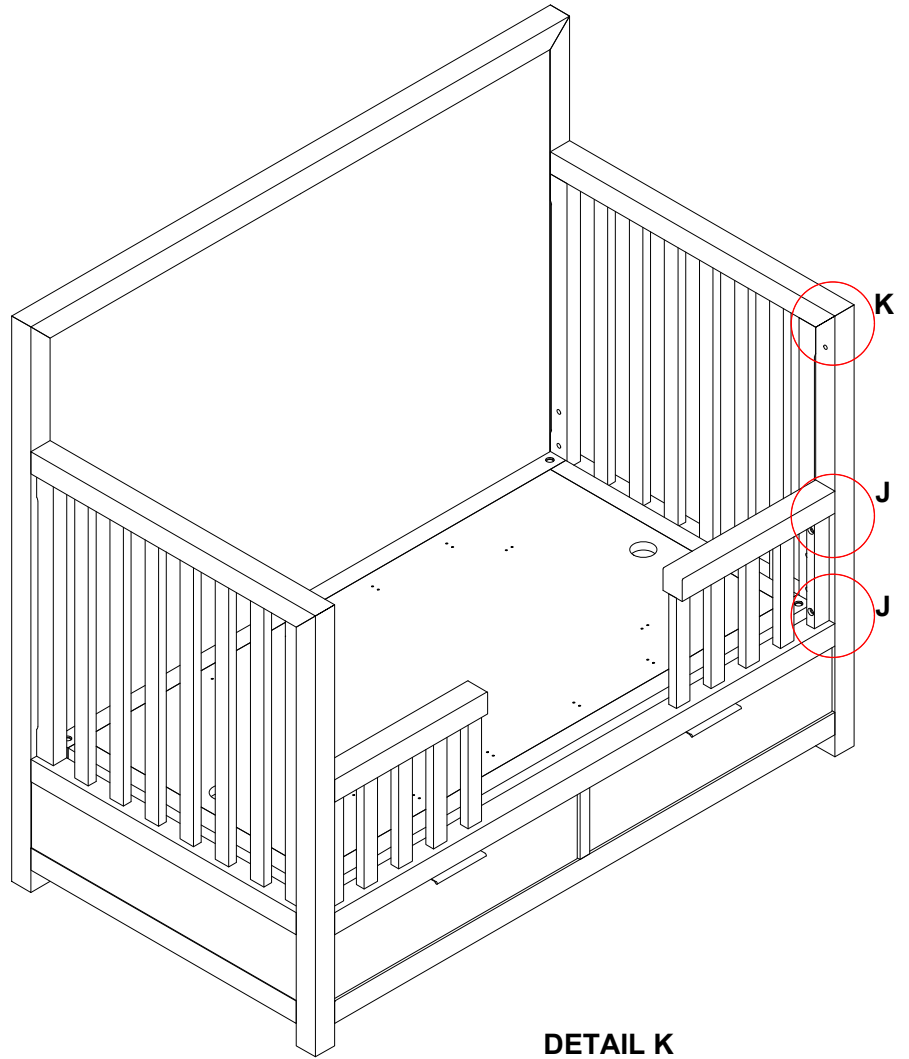
STEP 5.2

Replace the front side rail with the toddler rail. See **DETAIL J**.

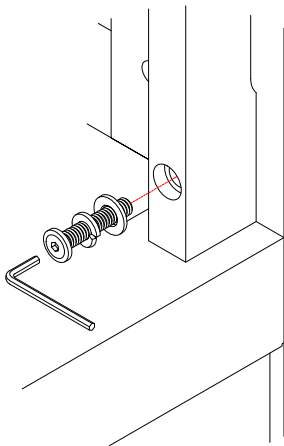
After assembly, re-tighten all bolts to a snug fit. **DO NOT OVERTIGHTEN.**

STEP 5.3

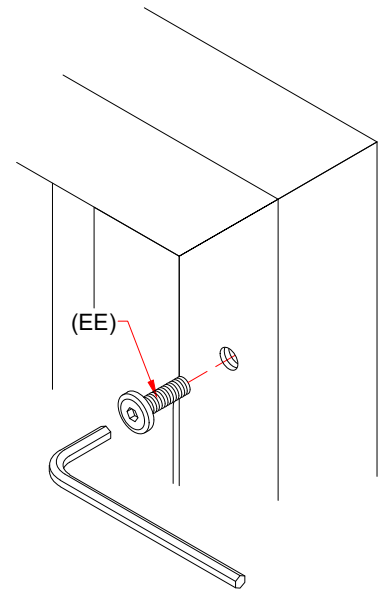
Visible, unused holes can hurt your child's finger. Please use Allen bolts (EE) provided (packed inside toddler rail box) to hide these holes. See illustration in **DETAIL K**.



DETAIL J



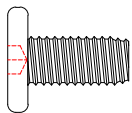
DETAIL K



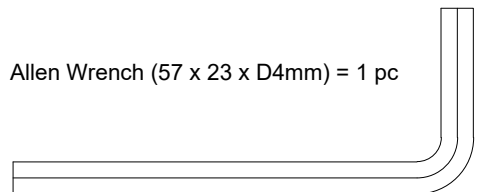
HARDWARE FOR STEP 5

(PACKED INSIDE TODDLER RAIL BOX)

(EE) 1/4" x 1/2" Allen Bolt = 2 pcs



Allen Wrench (57 x 23 x D4mm) = 1 pc



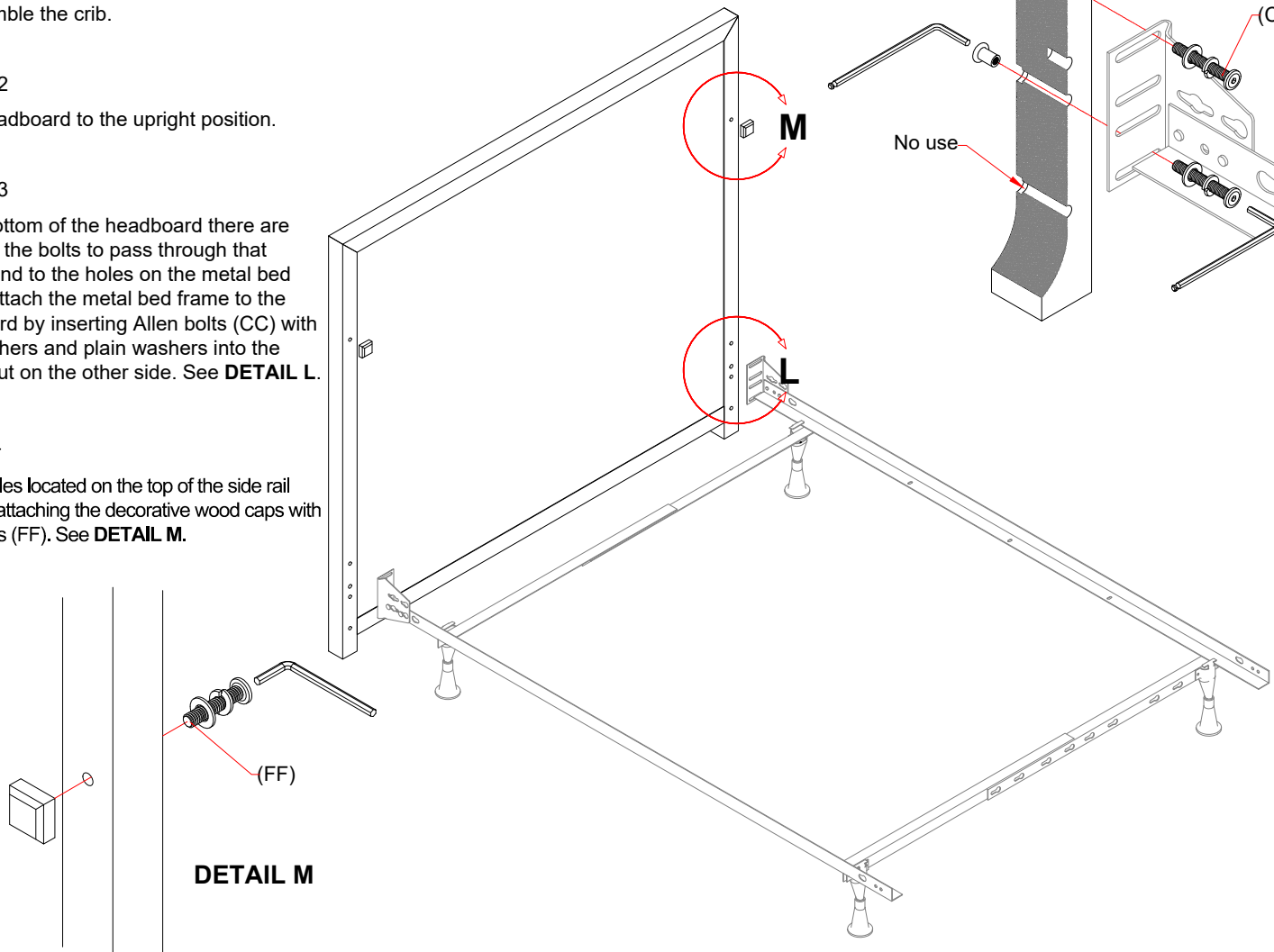
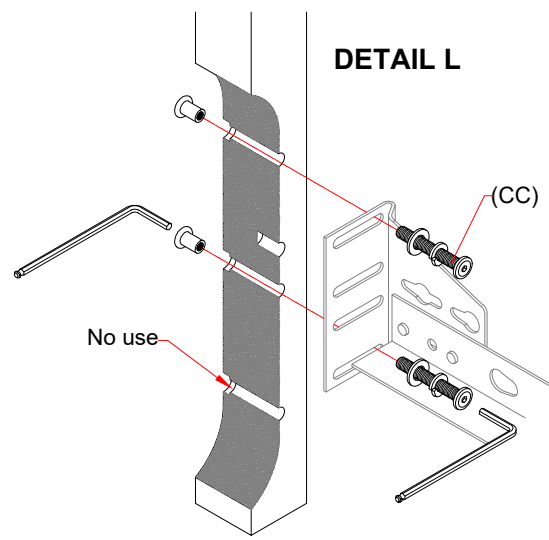
STEP 6
METAL BED FRAME ASSEMBLY

STEP 6.1
 Loosen all the bolts on the crib to disassemble the crib.

STEP 6.2
 Bring headboard to the upright position.

STEP 6.3
 At the bottom of the headboard there are holes for the bolts to pass through that correspond to the holes on the metal bed frame. Attach the metal bed frame to the headboard by inserting Allen bolts (CC) with lock washers and plain washers into the sleeve nut on the other side. See **DETAIL L**.

STEP 6.4
 Fill the holes located on the top of the side rail panel by attaching the decorative wood caps with Allen bolts (FF). See **DETAIL M**.



HARDWARE NEEDED FOR STEP 6

(CC) 1/4" x 1 3/4" Allen Bolt = 4 pcs

Lock Washers (Ø10 x Ø6.5 x 1.5mm) = 4 pcs

Plain Washers (Ø16 x Ø6.5 x 1.5mm) = 4 pcs

Sleeve Nut (Ø13 x 1/4" x 5/8") = 4 pcs

Allen Wrench (110 x 28 x D4mm) = 2 pcs

(FF) 1/4" x 2 3/16" Allen Bolt = 2 pcs

Lock Washers (Ø10 x Ø6.5 x 1.5mm) = 2 pcs

Plain Washers (Ø12 x Ø6.5 x 1.5mm) = 2 pcs

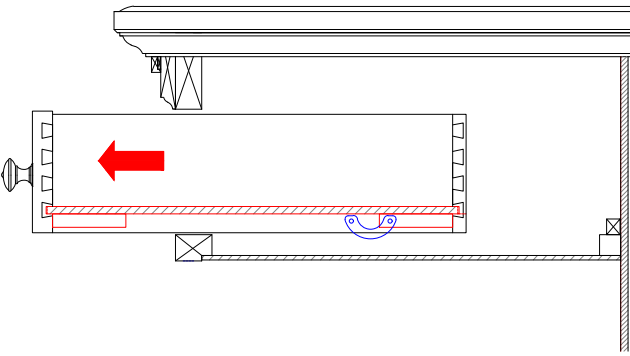
Allen Wrench = 1 pc

STEP 7

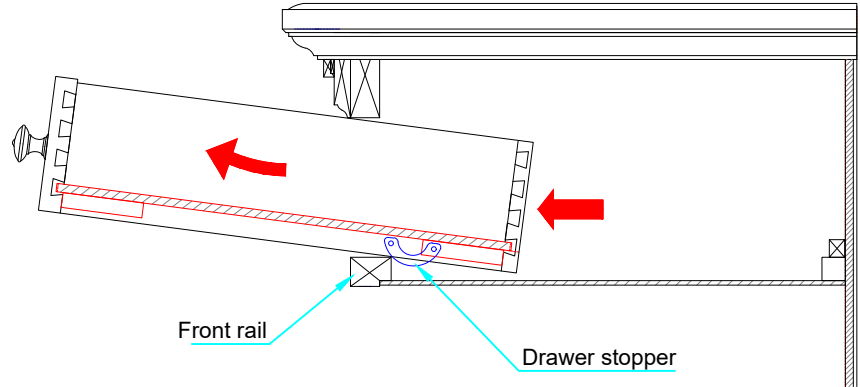
DRAWER INSTRUCTIONS

STEP 7.1 DRAWER REMOVAL INSTRUCTIONS

a. Pull the drawer out. Hold the drawer with both your hands.

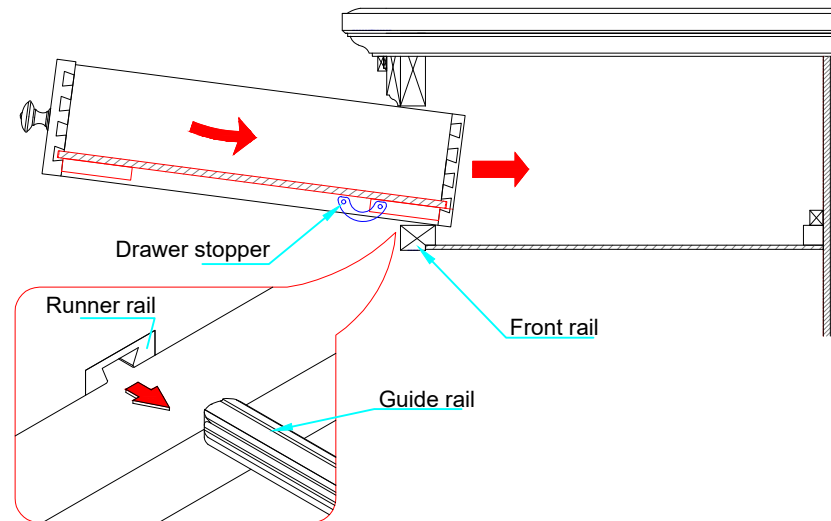


b. Carefully lift the drawer front up, then slide the drawer forward so the drawer stopper passes the front rail.



STEP 7.2 DRAWER ASSEMBLY INSTRUCTIONS

a. Assemble the drawer back by aligning the runner rail underneath the drawer with the guide rail of the product. Once the runner rail is set, push the drawer so the drawer stopper passes over the front rail.



b. Open and close the drawer a few times to make sure drawer operates smoothly.

