

# RH BABY & CHILD

## MARCELLE CRIB - ASSEMBLY INSTRUCTIONS

Made in Vietnam

Distributed in the USA by:

RH Baby & Child

2900 North MacArthur Dr.

Tracy, CA 95376

USA

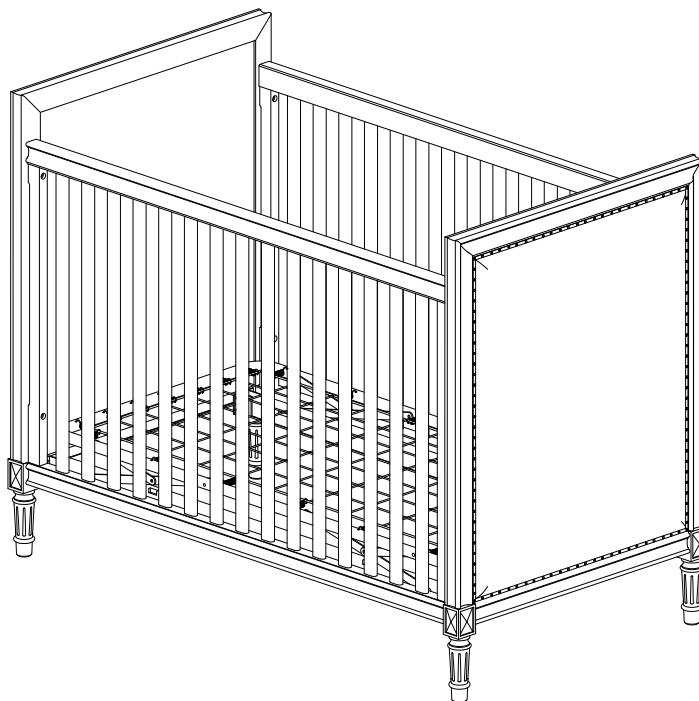
www.rhbabyandchild.com

Distributed in Canada by:

RH Canada, Inc.

1500-1055 West Georgia Street

Vancouver, British Columbia V6E4N7



**WARNING:** Read all instructions before assembling this product. **KEEP INSTRUCTIONS FOR FUTURE USE.**

### CUSTOMER SERVICE

If you are missing parts or have any questions about this product, contact us first. You can also order parts by writing to the address above. Include the product model number, color, and a brief description of the part. Or call 1-800-762-1751.

### CARE AND CLEANING

**DO NOT** scratch or chip the finish. **DO NOT** use abrasive chemicals for cleaning. Dust often using a clean, soft, dry cloth.

Blot spills immediately and wipe with a clean, damp cloth. If the crib is to be stored, store in a cool, dry place and carefully package all original hardware to protect from loss.

### TOOLS NEEDED

Allen key (included)

**NOTE:** Two people are recommended for assembly.

**NOTE:** When inserting bolts, turn clockwise until tight. Then loosen  $\frac{1}{2}$  -  $\frac{3}{4}$  of a turn. After crib is completely assembled, return to each bolt and tighten. Use wax or soap on all bolts to facilitate assembly.

## IMPORTANT SAFETY INFORMATION FOR CRIBS



**WARNING:** Infants can suffocate on soft bedding. Never add a pillow or comforter. Never place additional padding under an infant.



**WARNING:** Failure to follow these warnings and the assembly instructions could result in serious injury or death.

- To reduce the risk of SIDS, pediatricians recommend healthy infants to be placed on their backs to sleep, unless otherwise approved by your physician.

### ***Strangulation Hazard:***

- Strings can cause strangulation! **DO NOT** place items with a string around a child's neck, such as hood strings or pacifier cords. **DO NOT** suspend strings over a crib or attach strings to toys.
- To help prevent strangulation tighten all fasteners. A child can trap parts of the body or clothing on loose fasteners.
- **DO NOT** place crib near window where cords from blinds or drapes may strangle a child.

### ***Fall Hazard:***

- When a child is able to pull to a standing position, set mattress to lowest position and remove bumper pads, large toys and other objects that could serve as steps for climbing out.
- When child is able to climb out or reaches the height of 35" (89cm), the crib shall no longer be used, and the child should be placed in a youth or regular bed.
- Check this product for damaged hardware, loose joints, missing parts or sharp edges before and after assembly and frequently during use. Securely tighten loose bolts and other fasteners. **DO NOT** use crib if any parts are missing, damaged or broken. Contact customer service at 1-800-762-1751 for replacement parts and instructional literature if needed.
- **DO NOT** substitute parts.
- **DO NOT** use a water mattress with this crib.
- If refinishing, use a non-toxic finish specified for children's products.
- Follow warnings on all products in a crib.
- Never use plastic shopping bags or other plastic film as mattress covers because they can cause suffocation.
- Infants can suffocate in gaps between crib sides and a mattress that is too small.

## **IMPORTANT SAFETY INFORMATION FOR CRIBS**

**CAUTION:** ANY MATTRESS USED IN THIS CRIB SHALL BE AT LEAST 27 1/4" X 51 5/8" WITH A THICKNESS NOT EXCEEDING 6".



### **WARNING**

Do not use this crib if you cannot exactly follow the instructions provided.

Do not use this crib for a child who can climb out of it or who is taller than 35" (89cm).

Do not place in or near the crib any cord, strap or similar item that could become wrapped around a child's neck.

Do not place this crib near a window or patio door where a child could reach the cord of a blind or curtain and be strangled.

Check this crib regularly before using it, and do not use if any part is loose or missing or if there are any signs of damage.

Do not substitute parts. Contact the manufacturer if replacement parts or additional instructions are needed.

Children can suffocate on soft bedding. Do not place pillows, comforters or soft mattresses in this crib.

Use a mattress that is no thicker than 15cm in height and, when it is pushed firmly against any side of this crib, it does not leave a gap of more than 3cm between the mattress and any part of any other side of the crib.

## IMPORTANT SAFETY INFORMATION FOR TODDLER AND DAYBEDS



### **WARNING: ENTRAPMENT / STRANGULATION HAZARD**

Infants have died in toddler beds from entrapment and strangulation. Failure to follow these warnings and the assembly instructions could result in serious injury or death.

**NEVER** use bed with children under 15 months of age.

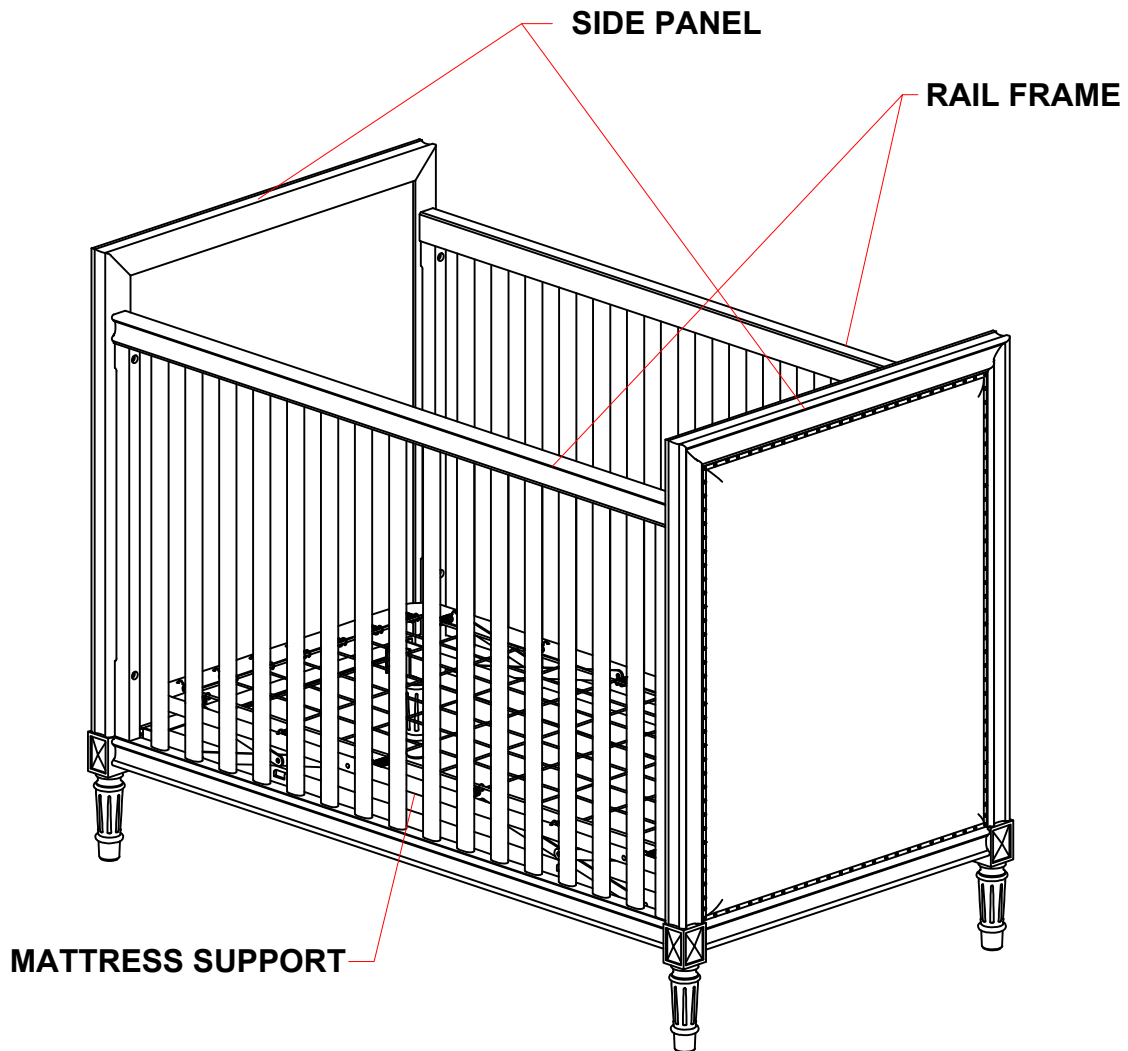
**NEVER** place bed near windows where cords from blinds or drapes may strangle a child.

- The mattress intended for use on the bed shall be a full-size crib mattress having minimum dimensions of 51 5/8" (1310mm) in length, 27 1/4" (690mm) in width and 4" (100mm) in thickness, not exceeding 6" (150mm) in thickness.
- **DO NOT** place bed near windows where cords from blinds or drapes may strangle a child.
- **DO NOT** place items with a string, cord, or ribbon around a child's neck, such as hood strings or pacifier cords.
- **DO NOT** suspend strings over a toddler bed for any pacifier cords.
- A child using the toddler or daybed shall be at least 15 months of age and shall not weigh more than 50 lbs (22.7kgs).

## PARTS IDENTIFICATION

For ease of identification, all parts are labeled to correspond to the Step number in which the part is used.

- Step 1 Leg and side panel assembly  
Panel and rail frame assembly (Page 6)
- Step 2 Mattress support arm assembly  
Stabilizer rail assembly  
Mattress height adjustment (Page 7)
- Step 3 Installation of support slat into the side panel (Page 8)
- Step 4 Rail frame assembly (Page 9)
- Step 5 Toddler rail assembly (Page 10)



## STEP 1

### LEG AND SIDE PANEL ASSEMBLY PANEL AND RAIL FRAME ASSEMBLY

#### STEP 1.1

Gently lay the side panels on their backs on a flat and non abrasive surface.

#### STEP 1.2

Align and insert the threaded rod of the leg into the holes and turn clockwise to tighten. See **DETAIL A**.

#### STEP 1.3

Bring the side panels and the rail frame to an upright position.

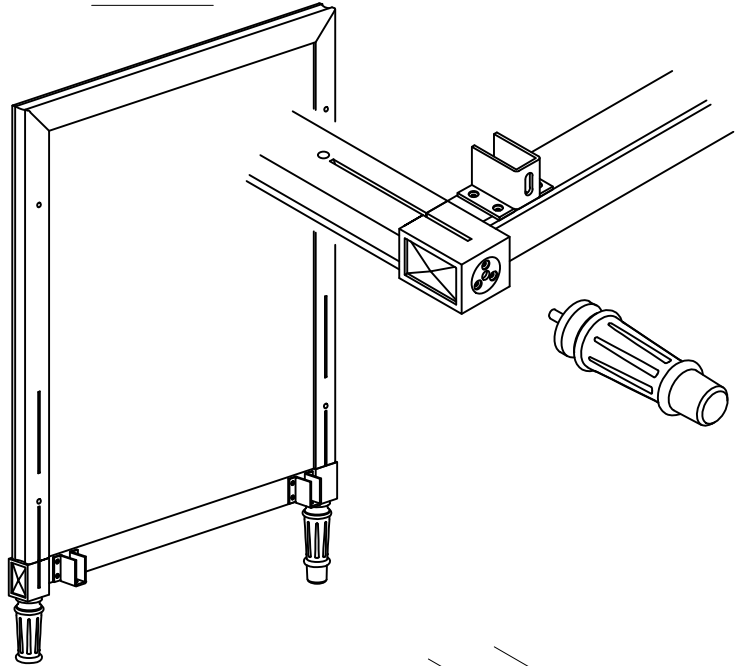
**NOTE:** At both ends of the rail frame are holes for the bolt to pass through that correspond to the hole on both ends of the side panel with pre-installed insert nut.

#### STEP 1.4

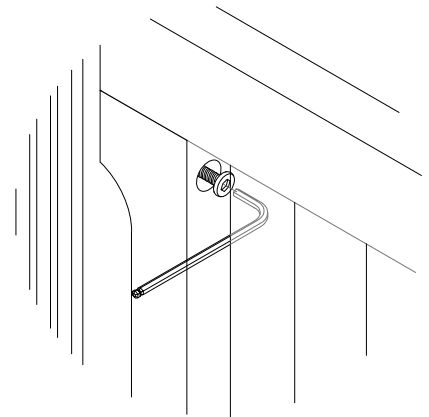
Align the hole of the rail frame into the hole of the side panel then insert the Allen head bolt into hole and turn clockwise to tighten. Tighten the bolt with Allen wrench Provided. See **DETAIL B**.

**NOTE:** DO NOT OVER TIGHTEN.

**DETAIL A**

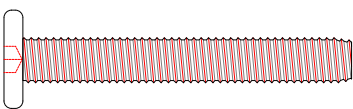


**DETAIL B**



### HARDWARE NEEDED FOR STEP 1

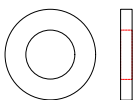
(AA) 1/4" x 1 3/4" Allen Bolt = 4 pcs



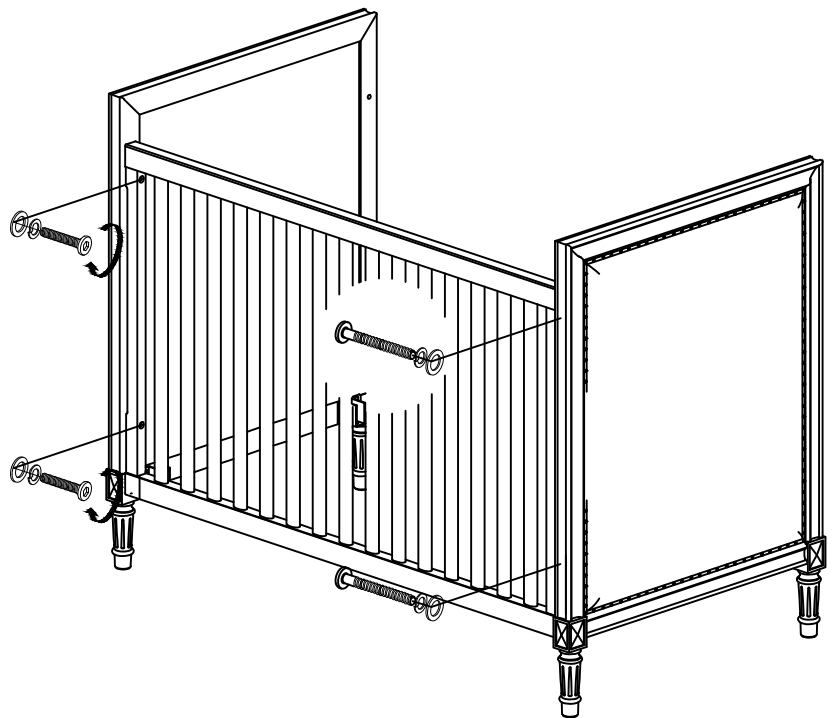
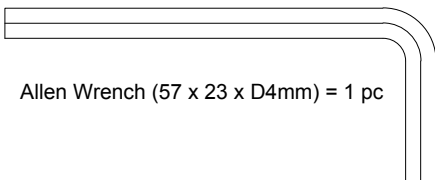
Lock Washer (Ø10 x Ø6.5 x 1.5mm) = 4 pcs



Plain Washer (Ø12 x Ø6.5 x 1.5mm) = 4 pcs



Allen Wrench (57 x 23 x D4mm) = 1 pc



## STEP 2

### MATTRESS SUPPORT ARM ASSEMBLY STABILIZER RAIL ASSEMBLY MATTRESS HEIGHT ADJUSTMENT

#### STEP 2.1

Lay Mattress Support flat with Stabilizer Rail on each side.

**NOTE:** Each end of the arm of the Mattress Support has a hole for the bolt to pass through that corresponds to the holes located in the frame of the Mattress Support.

#### STEP 2.2

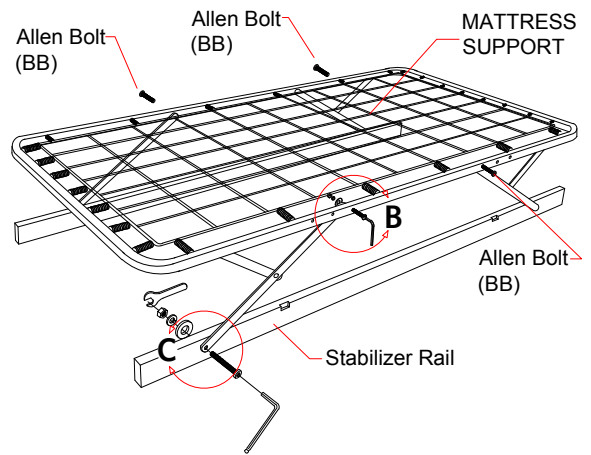
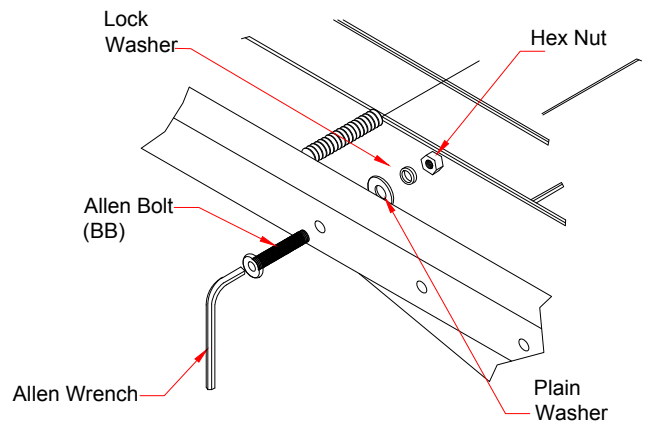
Insert the bolt into the desired hole of the frame through the hole on the arm support. Fasten the bolt with plain washer, lock washers & hexagonal nut provided. Repeat procedure on other arms of the Mattress Support. See **DETAIL C**.

**WARNING:** Set the Mattress Support to the desired height by adjusting the Support Arms. The Mattress Support should be at its highest setting for newborns, then adjusted to the lower positions as the child grows and becomes mobile. Once the child is able to stand, the Mattress Support should be at its lowest position.

#### STEP 2.3

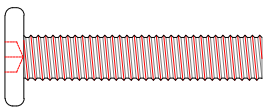
Install the Stabilizer Rail at ends of the arm support, as illustrated in **DETAIL D**.

#### DETAIL C

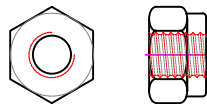


#### HARDWARE NEEDED FOR STEP 2

(BB) 1/4" x 1 1/4" Allen Bolt = 8 pcs



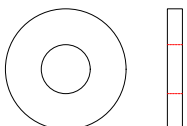
Hex Nut (1/4" x 8 x D11mm) = 8 pcs



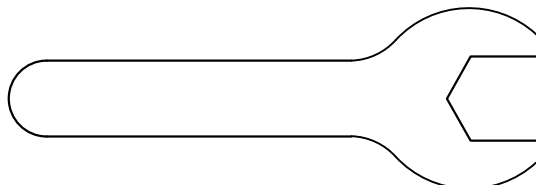
Lock Washer (Ø10 x Ø6.5 x 1.5mm) = 8 pcs



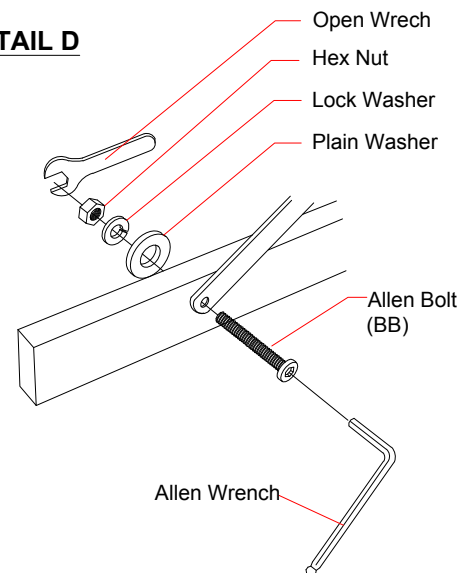
Plain Washer (Ø16 x Ø6.5 x 1.5mm) = 8 pcs



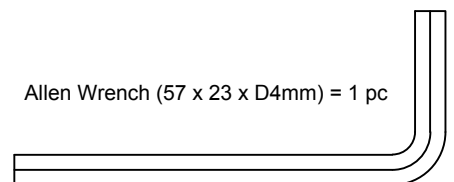
Open Wrench (70 x D11mm) = 1 pc



#### DETAIL D



Allen Wrench (57 x 23 x D4mm) = 1 pc



### STEP 3

#### INSTALLATION OF STABILIZER RAILS INTO THE SIDE PANEL

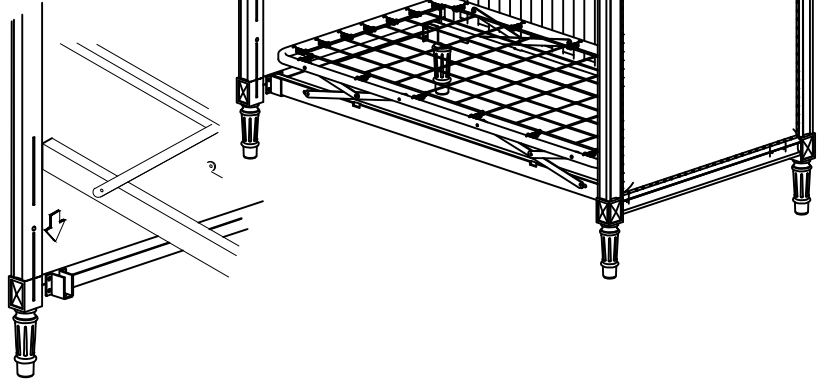
##### STEP 3.1

On inside face of both side panels are pre-installed metal brackets, designed to hold the stabilizer rails. Set both ends of the stabilizer rails into brackets, as illustrated in **DETAIL E**.

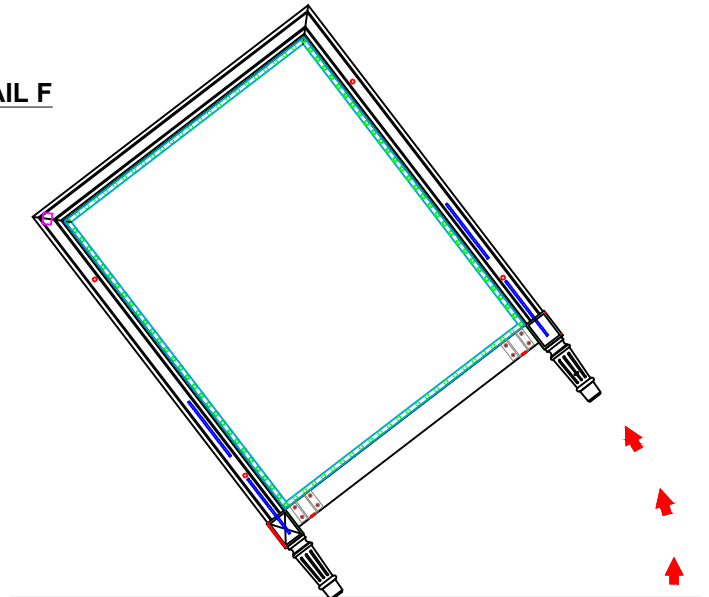
##### STEP 3.2

Once the stabilizer rails are set, gently tilt the crib as illustrated in **DETAIL F**, then fasten the stabilizer rails with bolt together with plain washer and lock washer provided, as illustrated in **DETAIL G**.

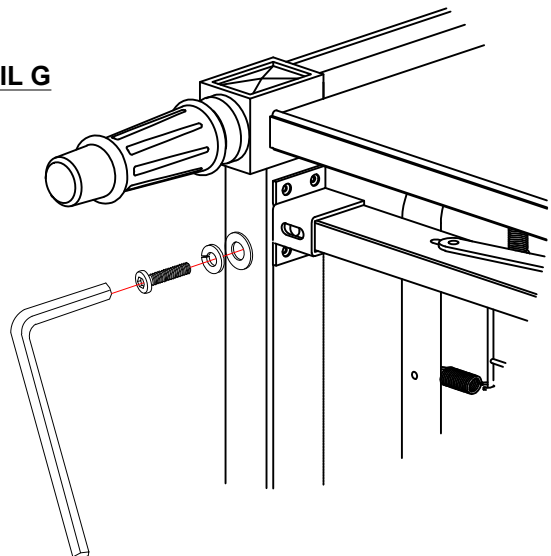
**DETAIL E**



**DETAIL F**

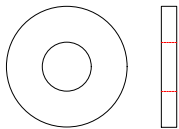
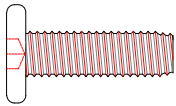


**DETAIL G**



#### HARDWARE NEEDED FOR STEP 3

(CC) 1/4" x 13/16" Allen Bolt = 4 pcs





## STEP 4

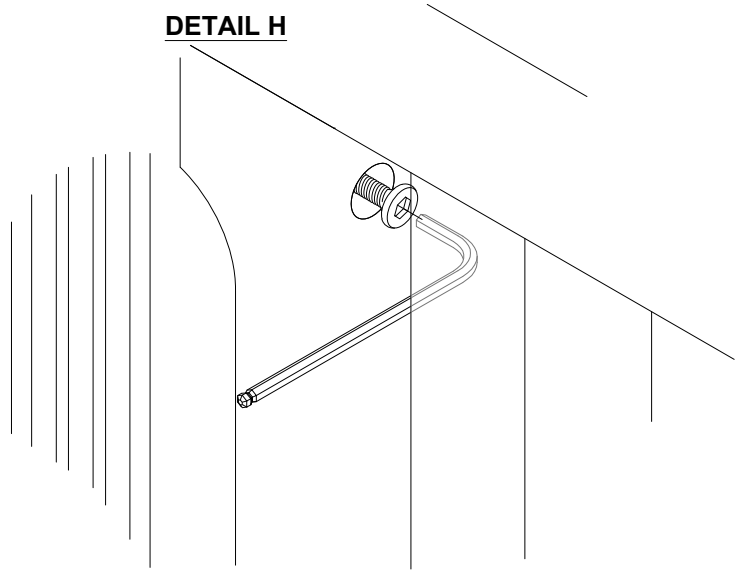
### RAIL FRAME ASSEMBLY

#### STEP 4.1

Please repeat procedure in step 1.4 for **DETAIL H**.

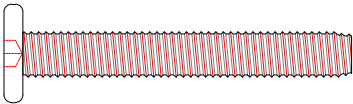
After assembly, re-tighten all bolts to a snug fit. **DO NOT OVER TIGHTEN.**

#### DETAIL H

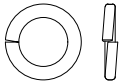


### HARDWARE NEEDED FOR STEP 4

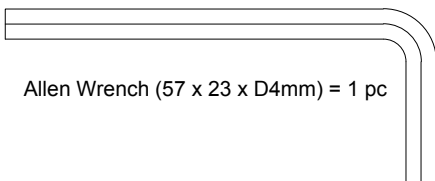
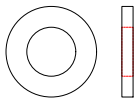
(AA) 1/4" x 1 3/4" Allen Bolt = 4 pcs



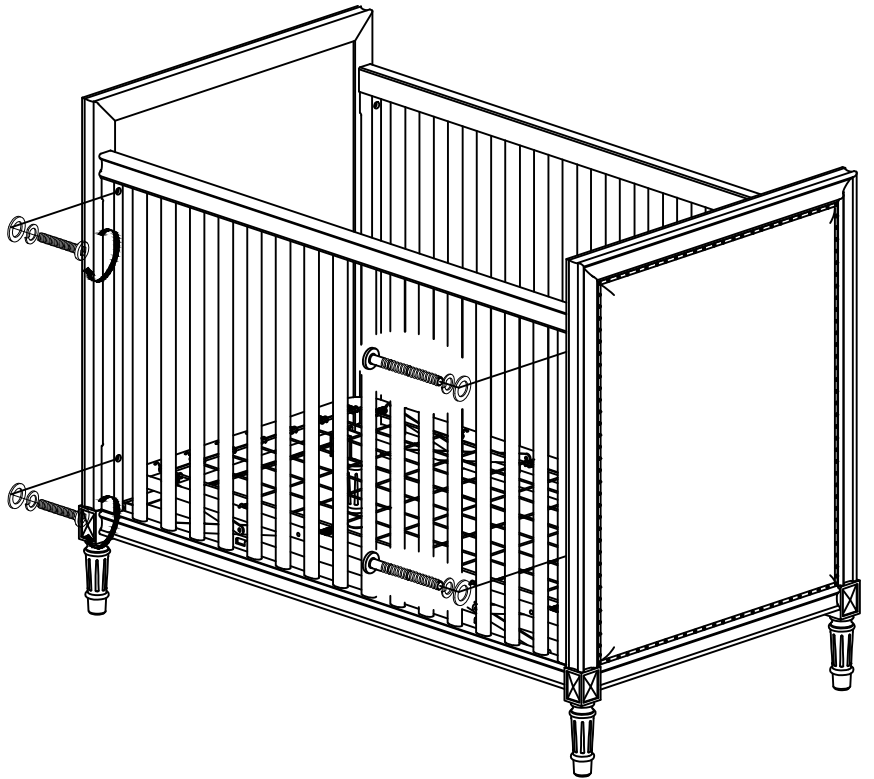
Lock Washer (Ø10 x Ø6.5 x 1.5mm) = 4 pcs



Plain Washer (Ø12 x Ø6.5 x 1.5mm) = 4 pcs



Allen Wrench (57 x 23 x D4mm) = 1 pc



**STEP 5  
TODDLER RAIL ASSEMBLY**

STEP 5.1

Remove the rail frames of the crib by loosening all the bolts installed as well as the mattress support.

STEP 5.2

Gently tilt the crib and release the bolts underneath the metal brackets holding the stabilizer rails.

**NOTE:** If mattress support is not in the lowest position, loosen the mattress support bolts and move to the lowest position.

STEP 5.3

On inside face of both side panels there is a cavity for the hook which corresponds to the hooks on both ends of the toddler rail. Align and insert the hook of the toddler rail into the cavity of the side panel. See **DETAIL I**.

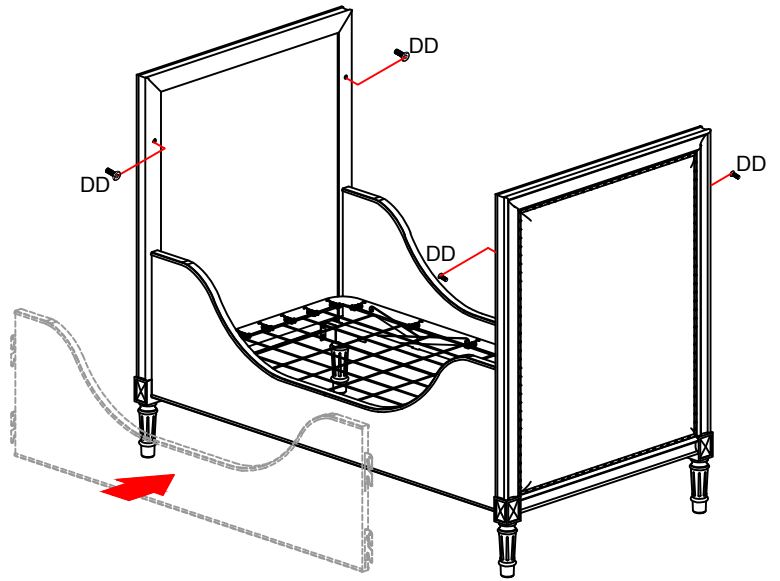
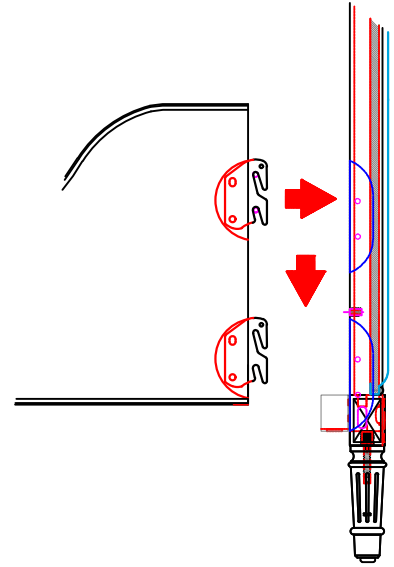
**NOTE:** Fill the holes located on the top of both sides of the side panel by inserting bolt (DD) provided.

STEP 5.4

Repeat step 3. Installation of stabilizer rails into the side panel (**DETAIL J**).

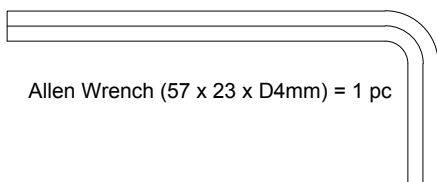
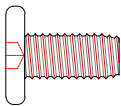
**NOTE:** After assembly, re-tighten all bolts to a snug fit.

**DETAIL I**



**HARDWARE NEEDED FOR STEP 5**  
(PACKED INSIDE TODDLER RAIL BOX)

(DD) 1/4" x 1/2" Allen Bolt = 4 pcs



Allen Wrench (57 x 23 x D4mm) = 1 pc

**DETAIL J**

