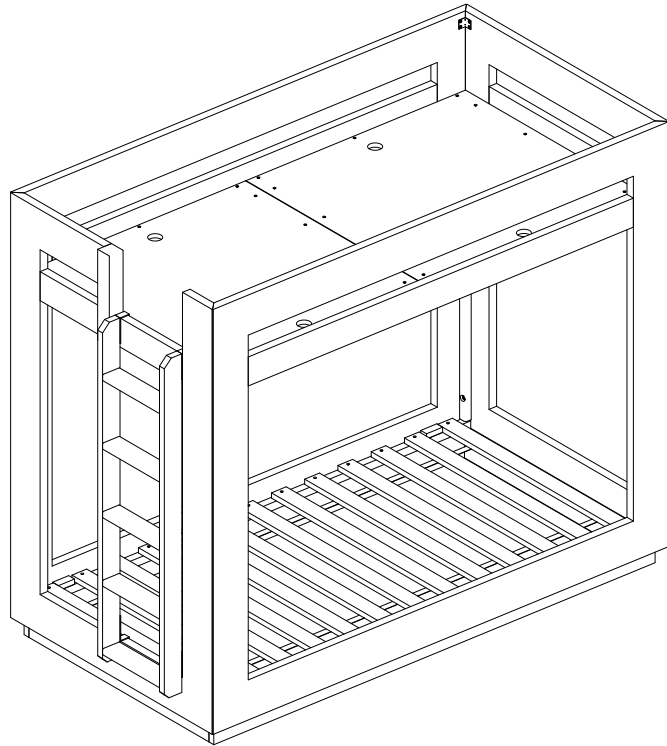


RH BABY & CHILD

THAYER BUNK BED, TWIN OVER TWIN - ASSEMBLY INSTRUCTIONS



WARNING: Read all instructions before assembling this product. **KEEP INSTRUCTIONS FOR FUTURE USE.**



CUSTOMER SERVICE

If you are missing parts or have any questions about this product, contact us first. You can also order parts by writing to the address above. Include the product model number, color, and a brief description of the part. Call 1-800-762-1751.

CARE AND CLEANING

DO NOT scratch or chip the finish. DO NOT use abrasive chemicals for cleaning. Dust often using a clean, soft, dry cloth.

Blot spills immediately and wipe with a clean damp cloth. If the bunk bed is to be stored, store in a cool dry place and carefully package all original hardware to protect from loss.

TOOLS AND INSTALLATION

Tools Necessary: Allen Key (included)

Screwdriver (Not included)

NOTE: It may be easier to assemble product with two people.

NOTE: When inserting bolts, turn clockwise until tight. Then loosen $\frac{1}{2}$ - $\frac{3}{4}$ of a turn. After bunk bed is completely assembled, return to each bolt and tighten. Use wax or soap on all bolts to facilitate assembly

IMPORTANT SAFETY INFORMATION FOR BUNK BED

1. Follow the information on the WARNINGS appearing on the upper bunk end structure and on the carton.
2. Always use the specified size mattress or mattress support, or both to help prevent the likelihood of entrapment or falls.
3. Surface of mattress must be at least 5 inches below the upper edge of guardrails on top bunk.
4. Do not allow children under 6 years of age to use the upper bunk.
5. Prohibit more than one person on upper bunk.
6. Periodically check and ensure that the guardrails, ladder, and other components are in their proper position, free from damage, and that all connectors are tight.
7. Do not allow horseplay on or under the bed and prohibit jumping on the bed.
8. Always use the ladder for entering and leaving the upper bunk.
9. Do not use substitute parts. Contact Restoration Hardware for replacement parts.
10. Use of a night light may provide added safety precaution for a child using the upper bunk.
11. Use guardrails on both sides of the upper bunk.
12. If the bunk bed will be placed next to a wall, the guardrail that runs the full length of the bed should be placed against the wall to prevent entrapment between the bed and the wall.
13. The use of water flotation mattress is prohibited.
14. STRANGULATION HAZARD - Never attach or hang items to any part of the bunk bed that are not designed for use with the bed: for example, but not limited to, hooks, belts, and jump ropes
15. Keep these instructions for future reference.
16. DO NOT remove warning label from bed.



WARNING

TO HELP PREVENT SERIOUS OR FATAL INJURIES FROM ENTRAPMENT OR FALLS:





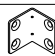

1. Never allow a child under 6 years on upper bunk.
2. Use mattress which is 38"W x 75"L x 7"H on Twin upper bunk, and 38"W x 75"L x 10"H on Twin lower bunk.
3. Ensure thickness of mattress does not exceed 7" and mattress is at least 5" below upper edge of guardrails.
4. Use guardrails on both sides of upper bunk.
5. Use ladder for entering and leaving upper bunk.
6. Prohibit horseplay on or under bed(s).
7. Prohibit more than one person on upper bunk.
8. If the bunk bed will be placed next to a wall the guardrails that run the full length of the bed .

STRANGULATION HAZARD

9. Never attach or hang items to any part of the bunk bed that are not designed for use with the bed; for example, but not limited to, hooks, belts, and jump ropes.

DO NOT REMOVE THIS LABEL

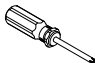
HARDWARE FOR SIDE RAILS & LADDER

NO.	ITEM	DESCRIPTION	QTY.
1		Allen Bolt	12 pcs.
2		Lock Washer	12 pcs.
3		Flat washer	12 pcs.
4		Allen Wrench	1 pc.
5		Metal Bracket	4 pcs.
6		Flat Head Screw M4x20mm	22 pcs.

HARDWARE FOR SLATS & PLATFORM PANELS

NO.	ITEM	DESCRIPTION	QTY.
7		Round Head Screw M4x20mm	34 pcs.
8		Round Head Screw M4x25mm	26 pcs.

TOOLS REQUIRED (NOT PROVIDED)

NO.	ITEM	DESCRIPTION	QTY.
9		Phillips Screwdriver (Not provided)	1 pc.

COMPONENT IDENTIFICATION AND HARDWARE

PARTS INCLUDED

A [1] HEADBOARD

B [1] FOOTBOARD

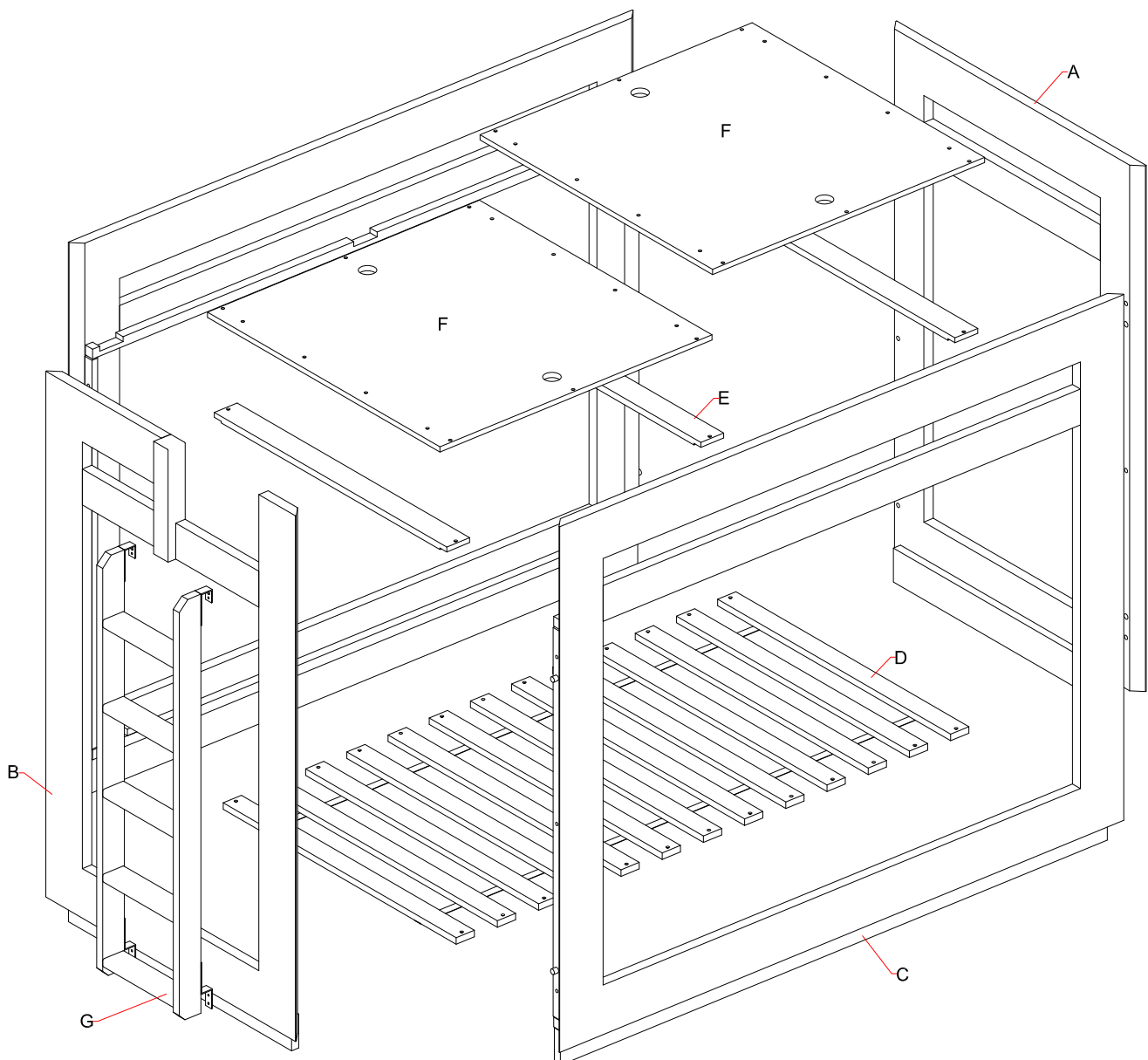
C [2] SIDE RAILS

D [1] SLAT ROLL

E [3] SUPPORT RAILS

F [2] PLATFORM PANELS

G [1] LADDER



IMPORTANT

These bed parts can be cumbersome and heavy, therefore the assistance of two or more people is recommended in order to prevent personal injury and ensure the bed parts are not damaged during the assembly process.

ASSEMBLY INSTRUCTIONS

1. Attach the side rails (C) to the headboard (A) by using Allen bolts (1) with lock washers (2) and plain washers (3). See FIGURE 1.

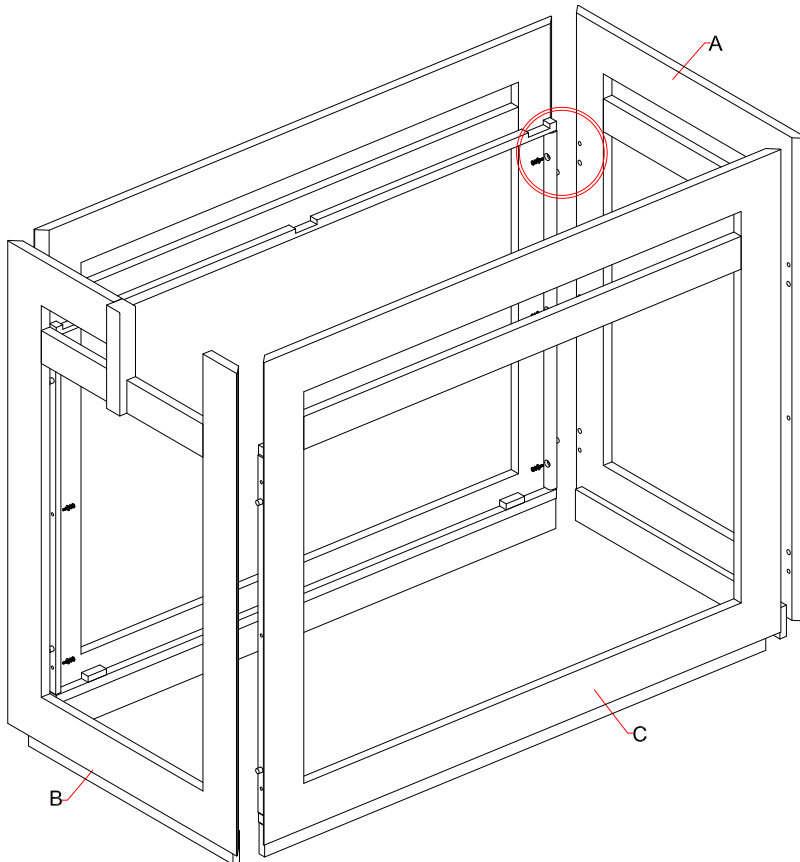
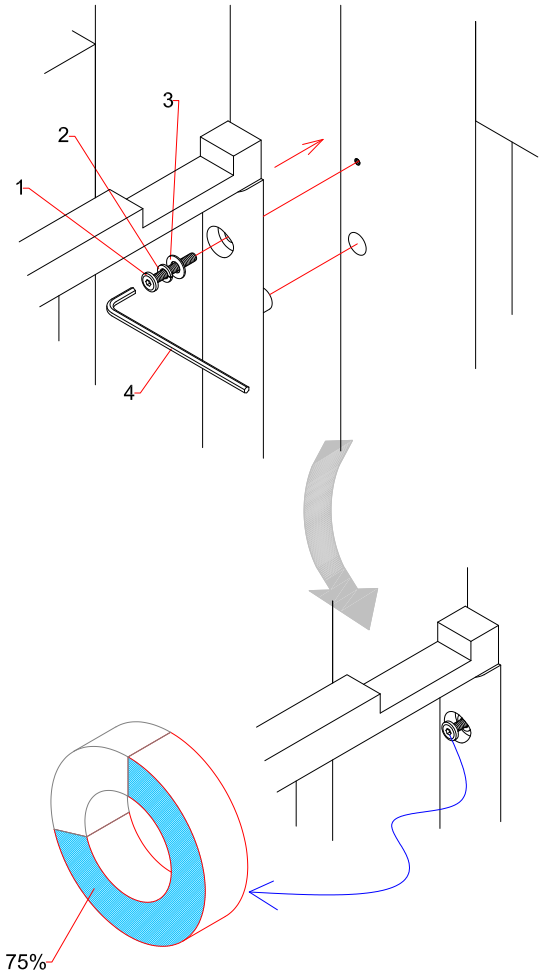
DO NOT FULLY TIGHTEN. RECOMMEND TO TIGHTEN BOLTS ABOUT 75%.

2. Repeat above step to connect the side rails (C) to the footboard (B).

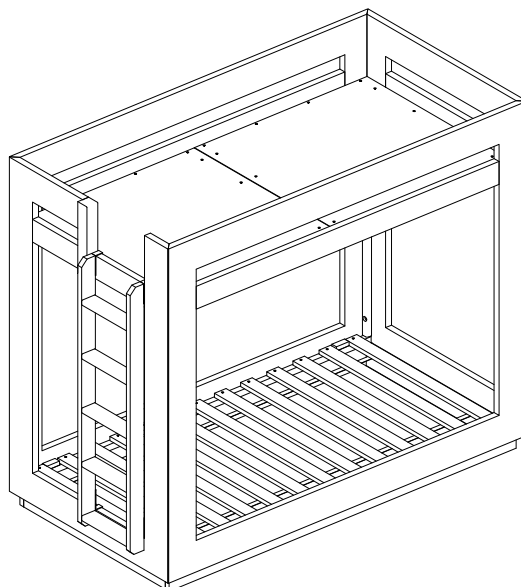
After assembly, re-tighten all bolts for a snug fit. DO NOT OVER TIGHTEN.

NOTE: The headboard and footboard is can be reversed in order to provide two locations for the ladder. See **OPTION A** and **B**.

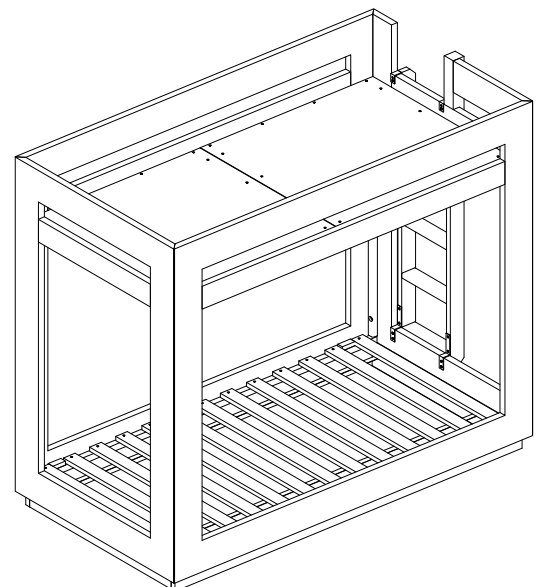
FIGURE 1



OPTION A



OPTION B



3. Insert the metal bracket (5) approximately 1" below the top corner of the bunk bed then secure it with screws (6) provided. See FIGURE 2.
4. Set the slat roll (D) on the lower slat holders of the side rails (C), then fix each slat with screws (8) provided. See FIGURE 3.
5. Attach the support rails (E) to the upper slat holders of the side rails using screws (7), See FIGURE 4.

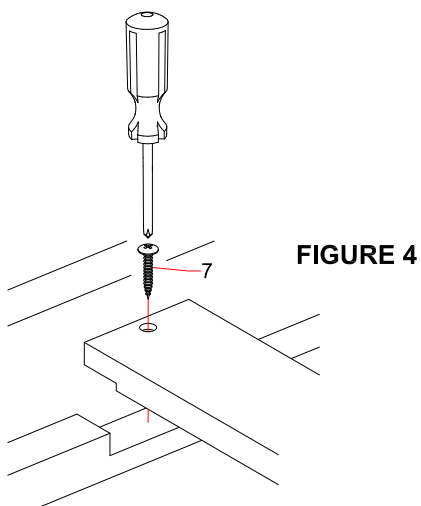
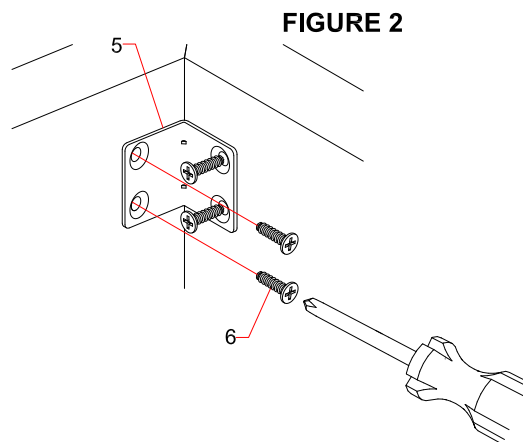


FIGURE 4

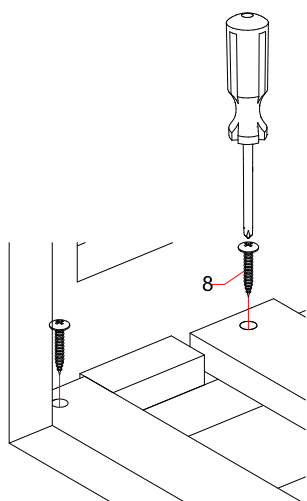
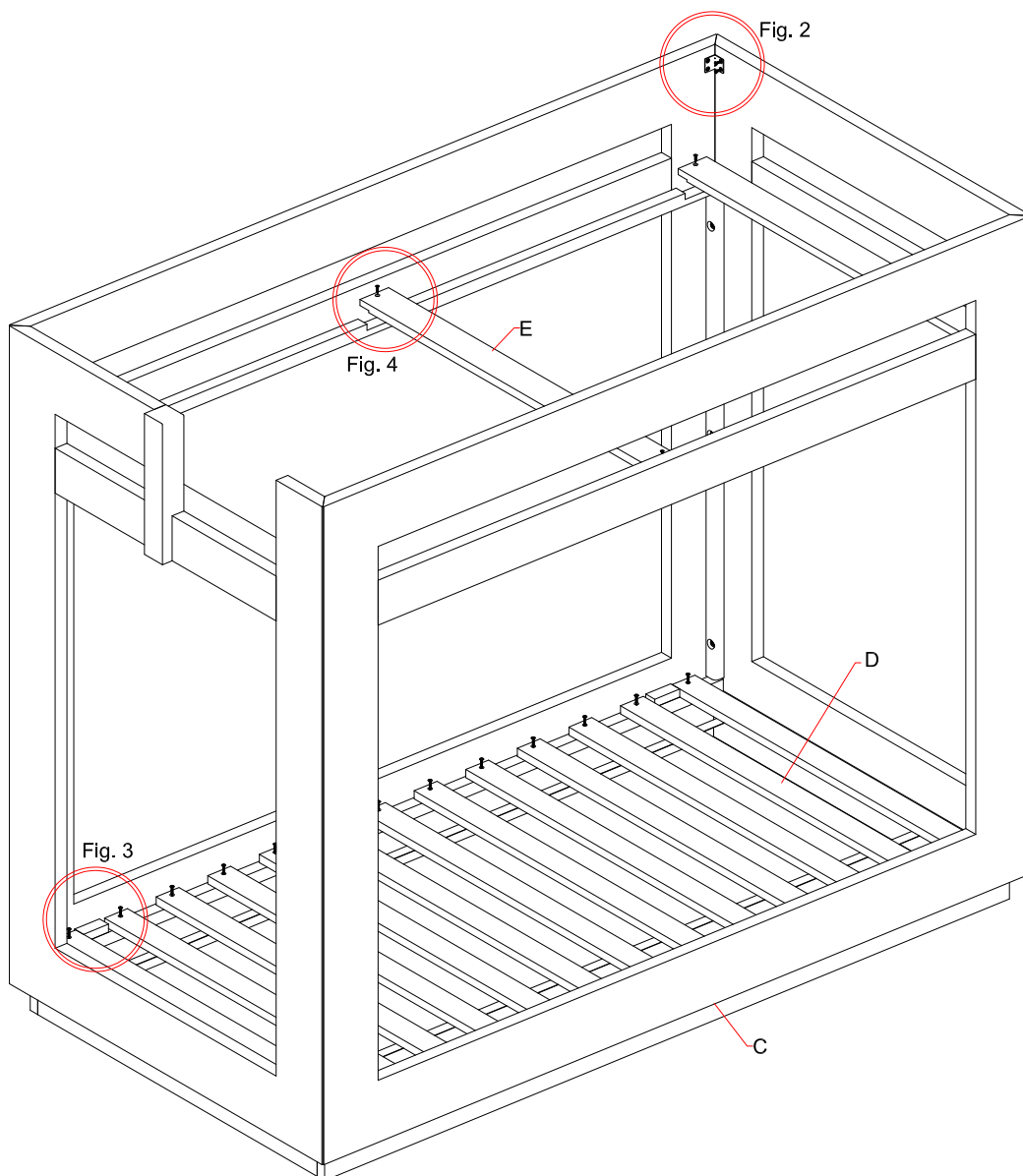


FIGURE 3

- Place the platform panels (F) on the upper bunk, then secure these panels by using screws (7). See FIGURE 5.
- Attach the ladder (G), as per illustration in FIGURE 6 and FIGURE 7.

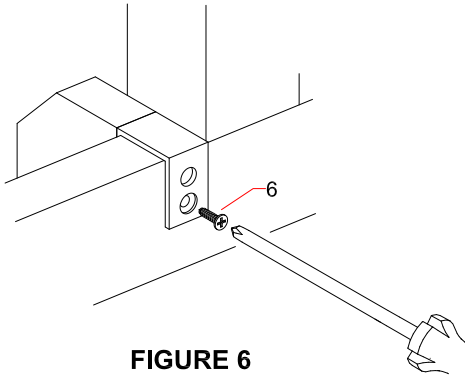
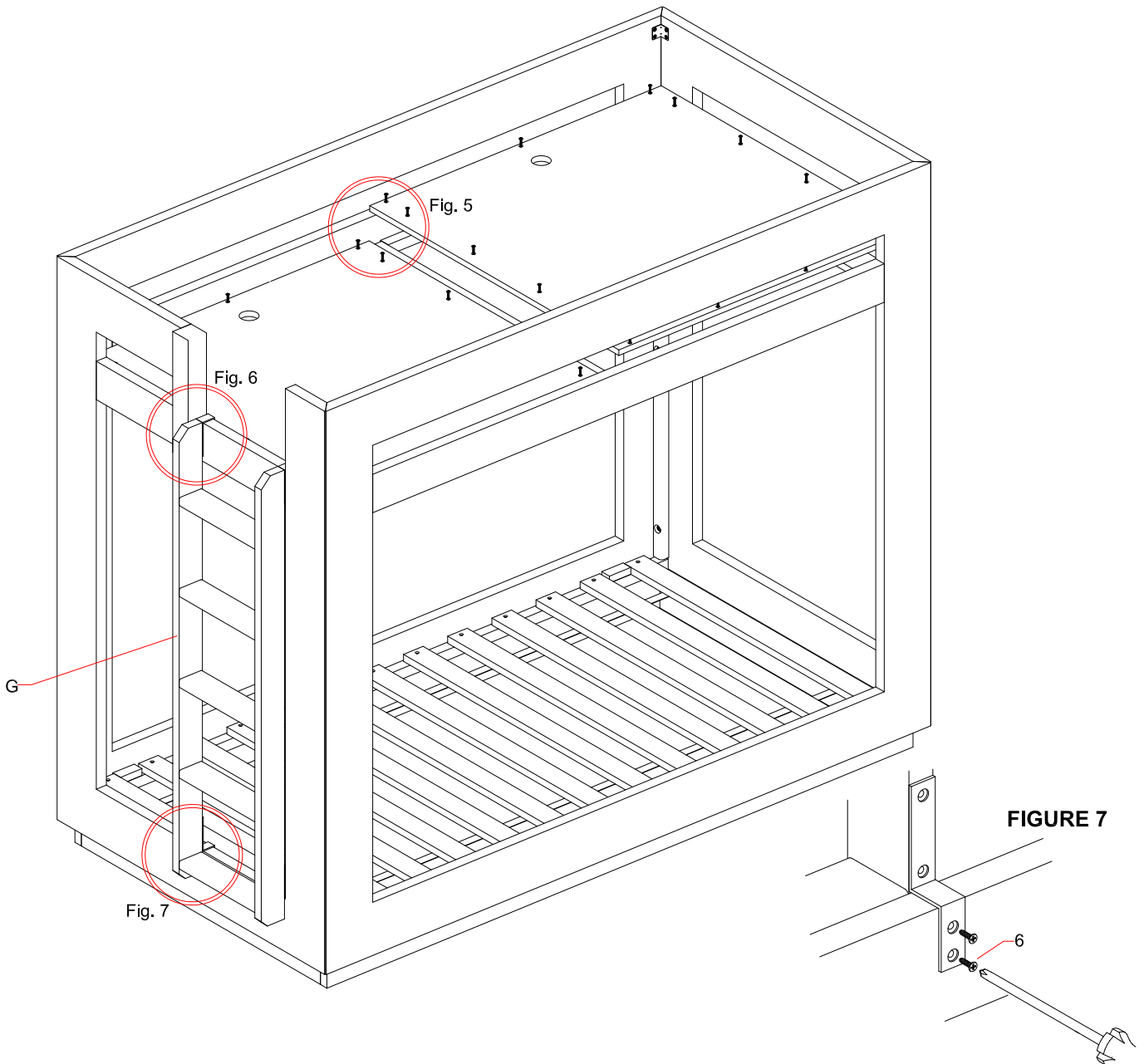
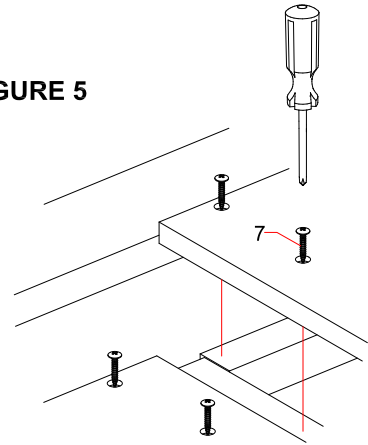


FIGURE 5



8. INSTALL BEDDING

BEDDING SPECIFICATION:

The following size mattress and foundation are specified for use with this bunk bed.

Mattress: 38"W x 75"L x 7"H on Twin upper bunk, and 38"W x 75"L x 10"H on Twin lower bunk.

****Note: ENSURE THICKNESS OF MATTRESS DOES NOT EXCEED 7" AND MATTRESS IS AT LEAST 5" BELOW UPPER EDGE OF GUARDRAILS.**

Be sure to adhere to these BEDDING SPECIFICATIONS in order to avoid the possibility of falling or entrapment. THESE SPECIFICATIONS MUST BE STRICTLY ADHERED TO!

UPPER BUNK MATTRESS DIAGRAM

