

# RH BABY & CHILD RH TEEN

WATERFALL BUNK BED – TWIN

ASSEMBLY AND INSTALLATION INSTRUCTIONS

**ENGLISH**

**WATERFALL BUNK BED – TWIN**

**PARTS INCLUDED**

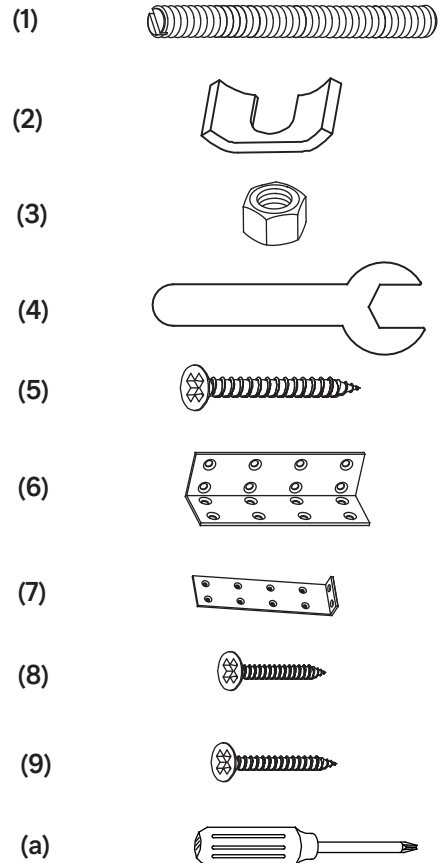
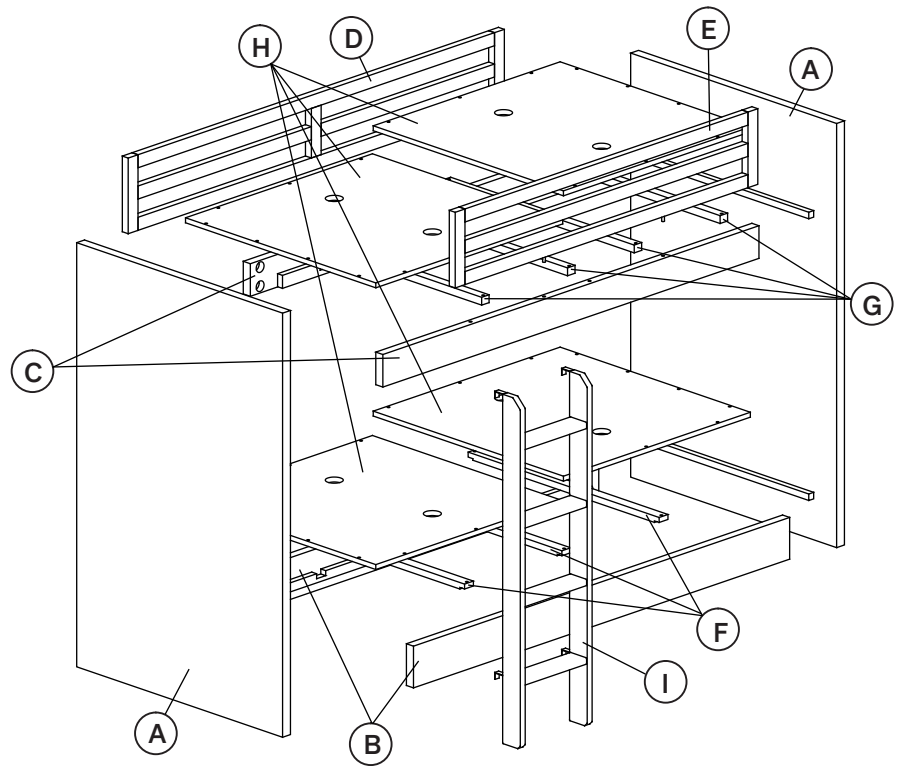
- (A) Headboard/Footboard (2)
- (B) Bottom Side Rails (2)
- (C) Top Side Rails (2)
- (D) Long Side Guardrail (1)
- (E) Short Side Guardrail (1)
- (F) Bottom Slats (3)
- (G) Top Slats (4)
- (H) Platform Panels (4)
- (I) Ladder (1)

**HARDWARE INCLUDED**

- (1) Threaded Rods 5/16" (8mm) x 3" (76mm) (16)
- (2) Curved Slotted Washers 5/16" (8mm) (16)
- (3) Hex Nuts 5/16" (8mm) x 12mm (16)
- (4) Hex Wrench 12mm (1)
- (5) Long Screws 8 x 30mm (54)
- (6) V-Metal Brackets (3)
- (7) L-Metal Brackets (2)
- (8) Short Screws 8 x 20mm (68)
- (9) Medium Screws 8 x 25mm (4)

**TOOLS NEEDED**

- (a) Phillips-head Screwdriver (not included)



**IMPORTANT SAFETY INFORMATION FOR BUNK BED:**

1. Follow the information on the WARNINGS label appearing on the upper bunk end structure and on the carton. DO NOT REMOVE WARNING LABEL FROM BED.
2. Always use the specified mattress size or mattress support, or both, to help prevent entrapment or falls.
3. Ensure thickness of mattress does not exceed 7" (18cm) and mattress surface is at least 5" (13cm) below upper edge of guardrails. Thickness for lower bunk is 12" (30.48cm) high.
4. Do not allow children under 6 years of age to use the upper bunk. Maximum load rating 400 lbs. (181.4 kg).
5. Do not allow more than one person on upper bunk.
6. Periodically check and ensure that the guardrails, ladder, and other components are in their proper position, free from damage, and that all connectors are tight.
7. Do not allow horseplay on or under the bed and prohibit jumping on the bed.
8. Always use the ladder for entering and leaving the upper bunk.
9. Replacement parts, including additional guardrails, may be obtained from RH. Do not use substitute parts. Contact RH for replacement parts.
10. Use of a nightlight may provide added safety for a child using the upper bunk.
11. Use guardrails on both sides of the upper bunk.
12. If the bunk bed will be placed next to a wall, the guardrail that runs the full length of the bed should be placed against the wall to prevent entrapment between the bed and the wall.
13. The use of a water flotation mattresses is prohibited.
14. STRANGULATION HAZARD: Never attach or hang items on any part of the bunk bed that are not designed for use with the bed, such as hooks, belts, and jump ropes.
15. Keep these instructions for future reference.
16. If bunk is Twin/Twin: Only use a mattress which is 75" (191cm) long, 38" (97cm) wide, and 7" (18cm) high on upper bunk, and a mattress which is 75" (191cm) long, 38" (97cm) wide, and 12" (30.48cm) high on lower bunk.
17. If bunk is Full/Full: Only use a mattress which is 75" (191cm) long, 53" (135cm) wide, and 7" (18cm) high on upper bunk, and a mattress which is 75" (191cm) long, 53" (135cm) wide, and 12" (30.48cm) high on lower bunk.

**WARNING:**

**READ ALL INSTRUCTIONS BEFORE ASSEMBLING THIS PRODUCT.  
KEEP INSTRUCTIONS FOR FUTURE USE.**

**IMPORTANT SAFETY INSTRUCTIONS:**

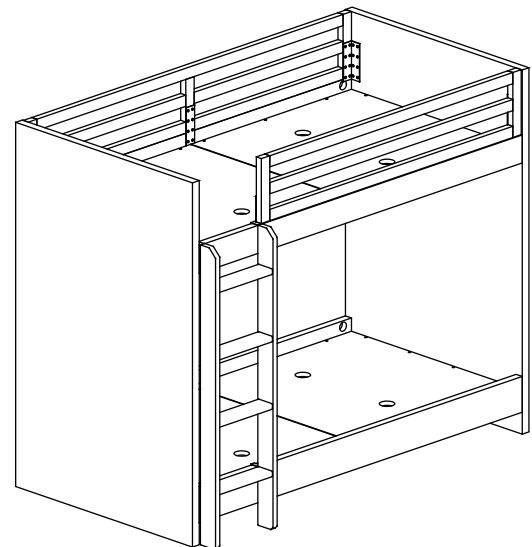
1. PLEASE READ ALL INSTRUCTIONS CAREFULLY BEFORE ASSEMBLING.
2. FOR YOUR SAFETY, ASSEMBLY BY TWO OR MORE ADULTS IS STRONGLY RECOMMENDED.
3. KEEP INSTRUCTIONS FOR FUTURE USE.

**TOOLS AND INSTALLATION:**

1. Tools needed: Hex Wrench (included).
2. Two people are recommended for assembly.
3. When inserting bolts, turn clockwise until tight. Then loosen 1/2-3/4 of a turn. After bed is completely assembled, return to each bolt and tighten.

**NOTE:**

- Use the above parts and fittings list to identify each component.
- Keep all packing materials until assembly is complete to avoid loss of smaller parts.
- Do not completely tighten bolts until all steps are finished.



**Made in Vietnam**

Distributed in the USA by:  
RH Baby & Child  
2900 N MACARTHUR DRIVE  
TRACY, CA 95376  
www.rhbabyandchild.com

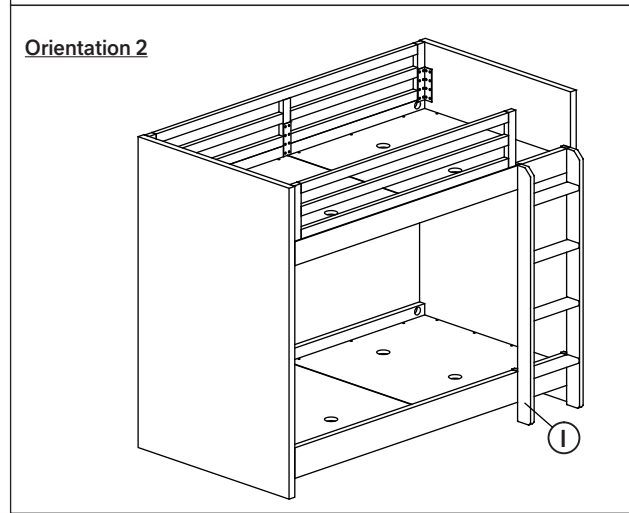
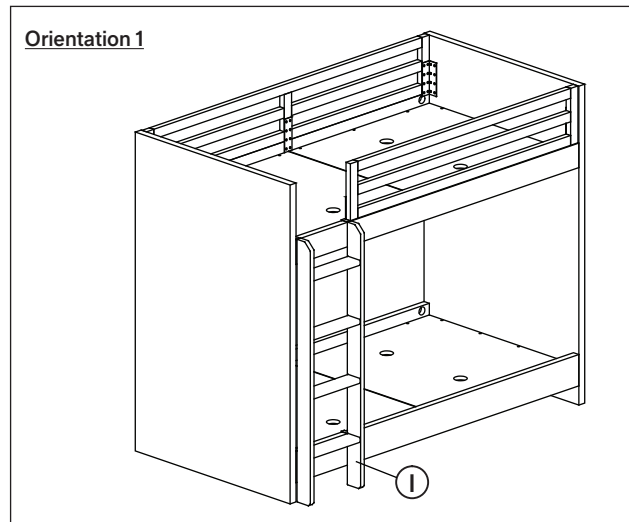
Distributed in Canada by:  
RH Canada, Inc.  
1500-1055 West Georgia Street  
Vancouver, British Columbia V6E4N7

**Note:**

- Bed must be assembled by at least two people.
- Please read instructions carefully before assembling bed.
- Use the parts and fittings list to identify each component.
- Keep all packing materials until assembly is complete to avoid loss of smaller parts.
- Do not completely tighten all bolts until all steps are finished.

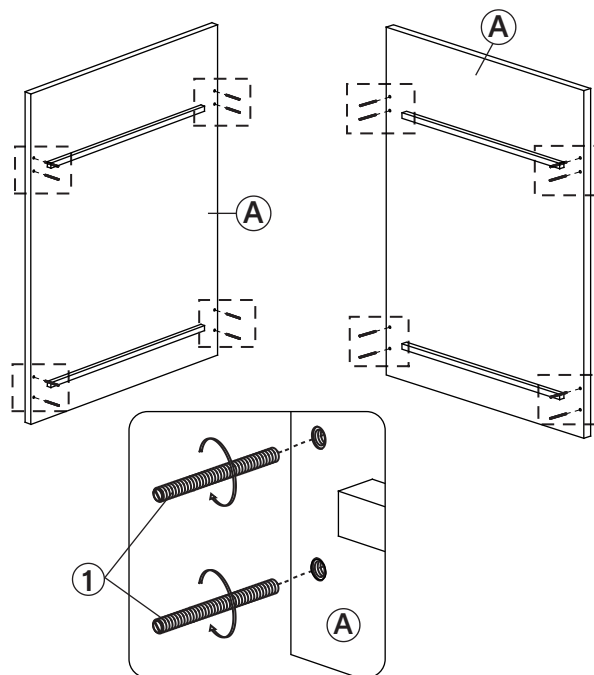
**Note:**

The bunk has a total of 2 orientations. Ladder (I) can be attached to left or right of the bunk bed, depending on where you would like the Ladder (I) to be positioned (see illustrations).

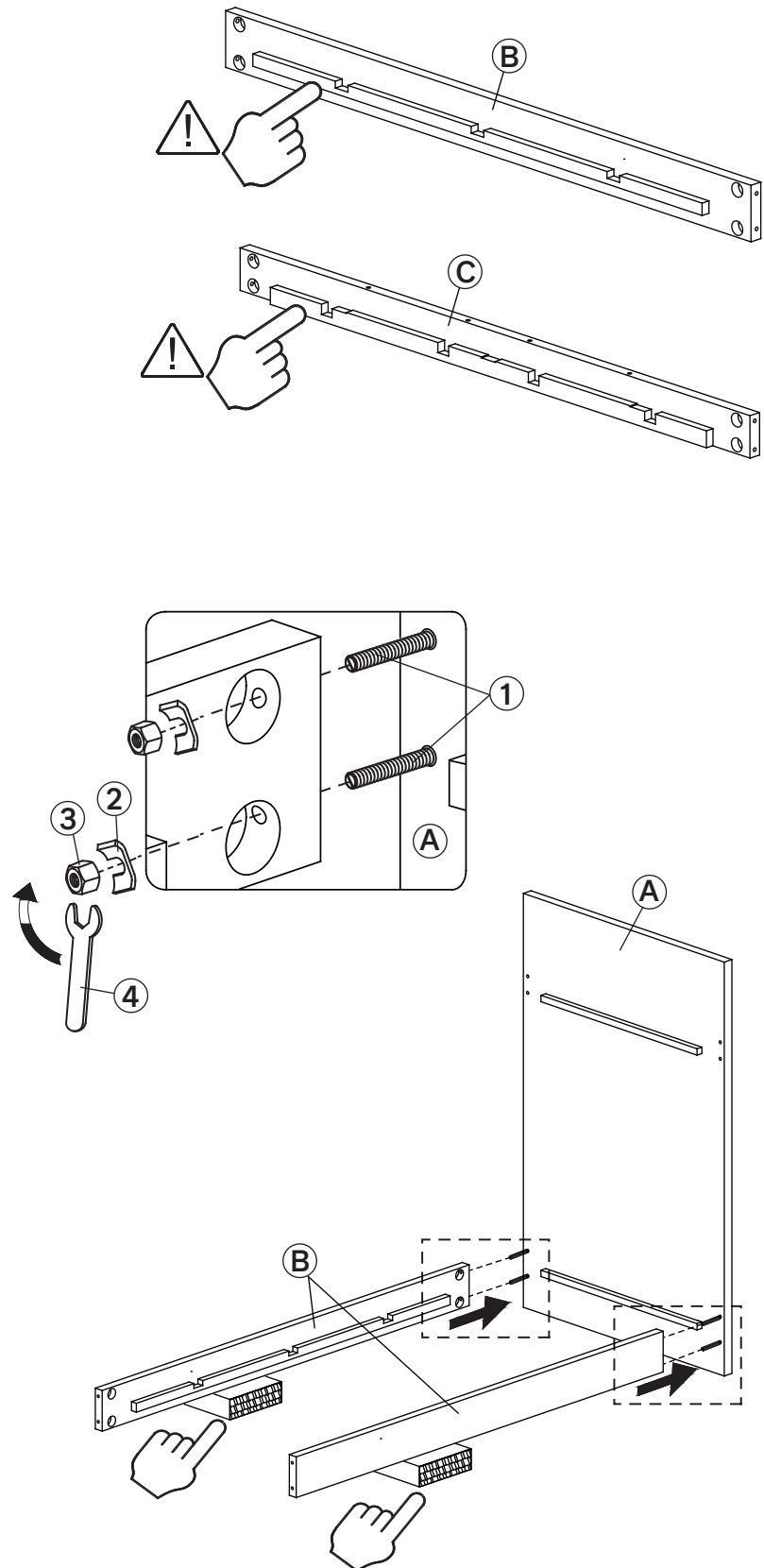


**ASSEMBLY INSTRUCTIONS**

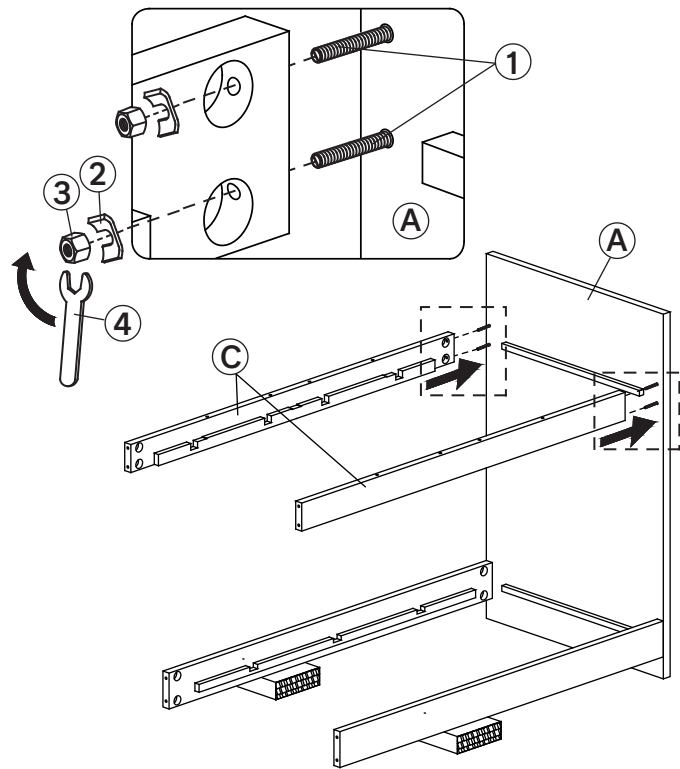
1. Insert the Threaded Rods (1) into the Headboard/ Footboard (A).



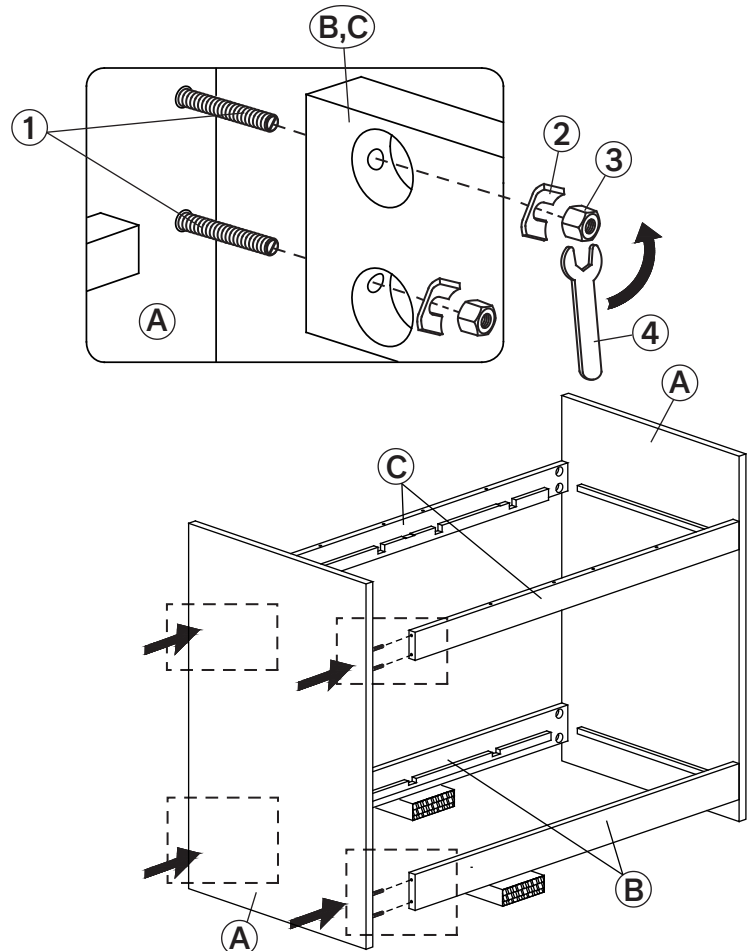
2. Slide the Bottom Side Rails (B) to the Headboard/  
Footboard (A) and align the Threaded Rods (1)  
with the holes on the Bottom Side Rails (B).  
Insert Curved Slotted Washers (2) and Hex Nuts  
(3) then tighten with Hex Wrench (4).



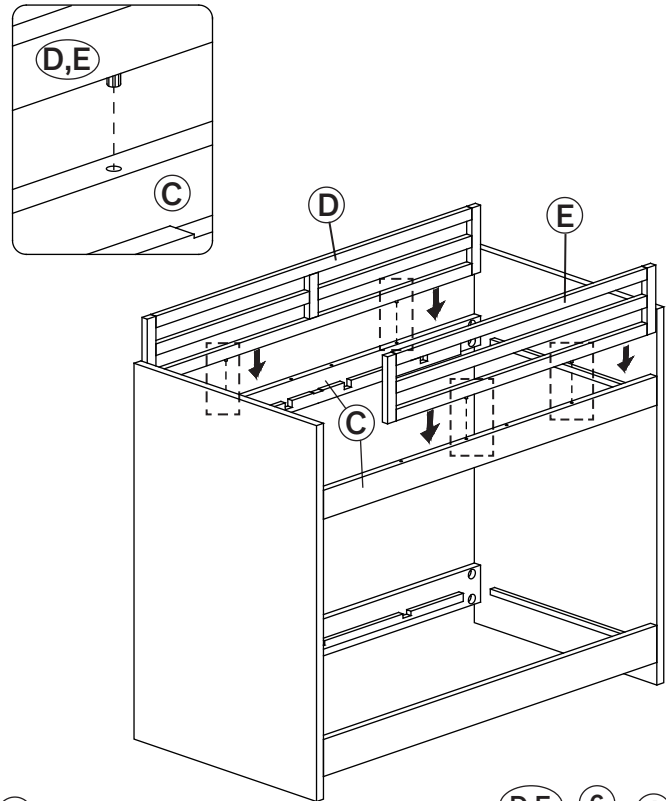
3. Slide the Top Side Rails (C) to the Headboard/ Footboard (A) and align the Threaded Rods (1) with the holes on the Top Side Rails (C). Insert Curved Slotted Washers (2) and Hex Nuts (3) then tighten with Hex Wrench (4).



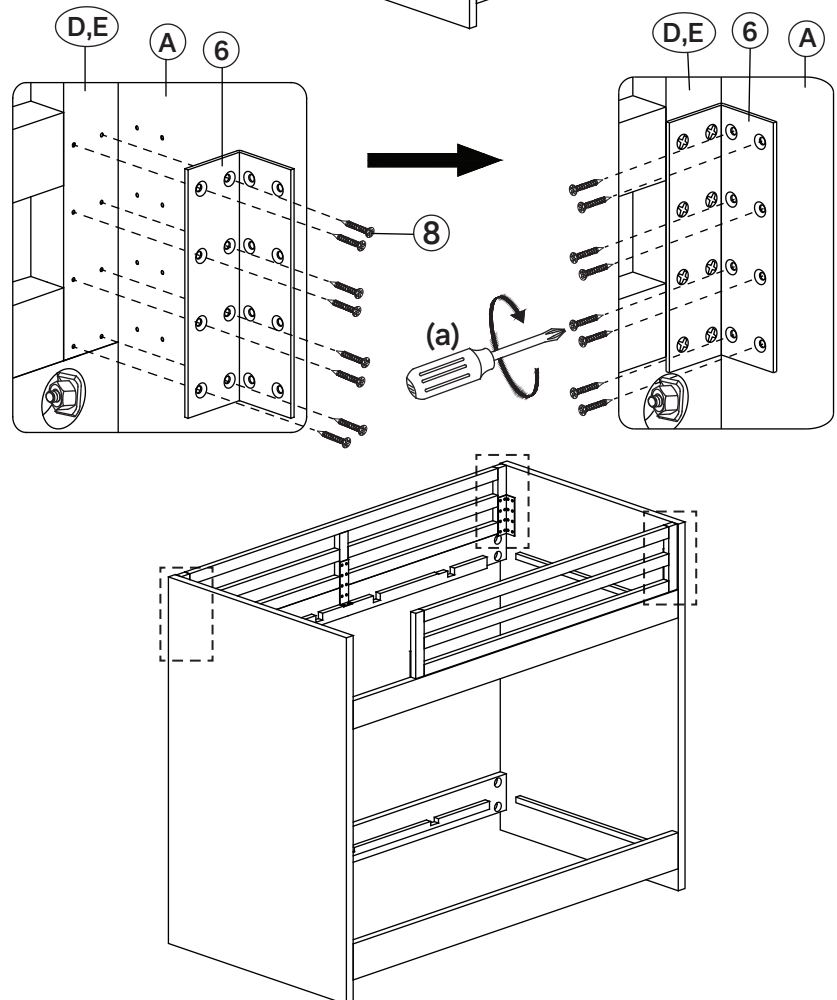
4. Slide the Headboard/Footboard (A) to the Bottom Side Rails (B) and Top Side Rails (C), and align the Threaded Rods (1) with the holes on both Side Rails. Insert Curved Slotted Washers (2) and Hex Nuts (3) then tighten with Hex Wrench (4).



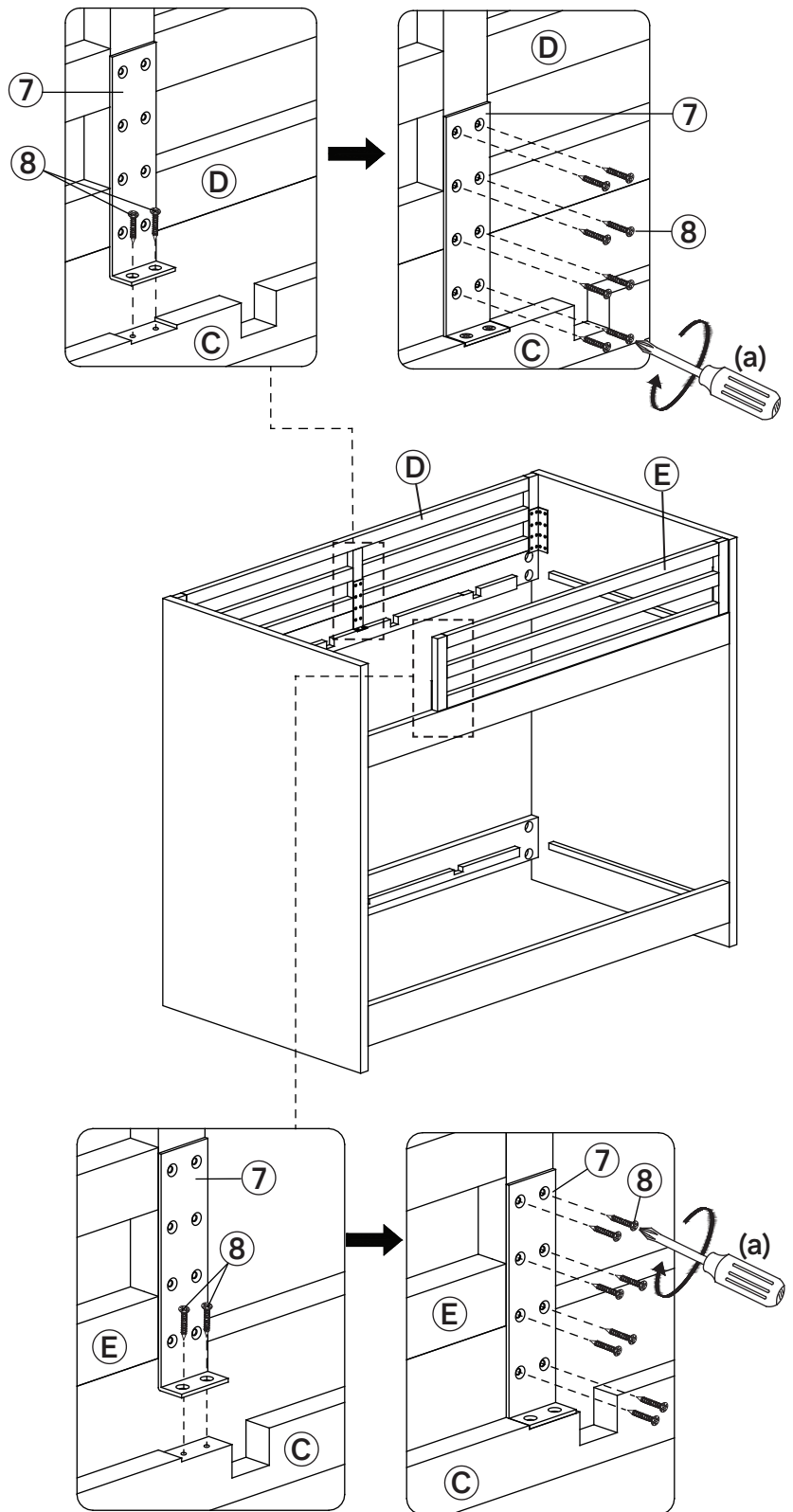
5. Insert the Long Side Guardrail (D) and Short Side Guardrail (E) into the Top Side Rails (C) and align the wooden plugs with the holes.



6. Attach V-Metal Brackets (6) to the Long/ Short Side Guardrails (D, E) and Headboard/ Footboard (A) using Short Screws (8), and tighten with Phillips-head Screwdriver (a).



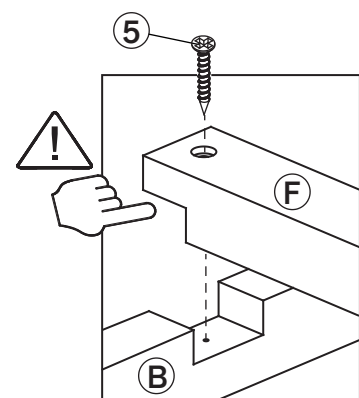
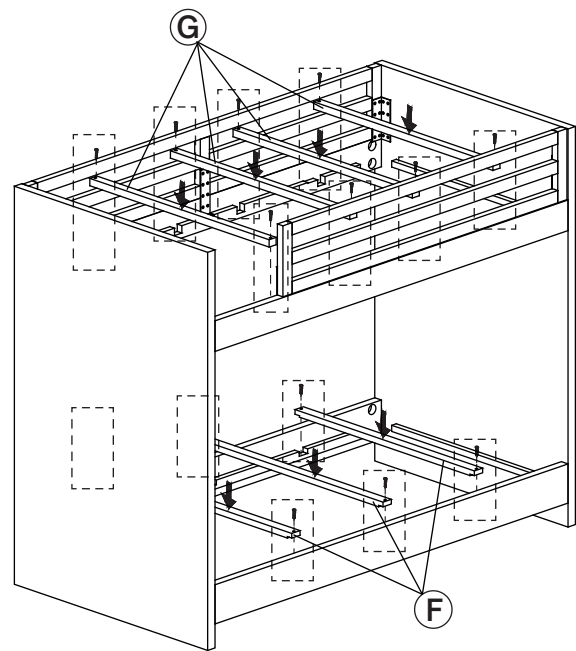
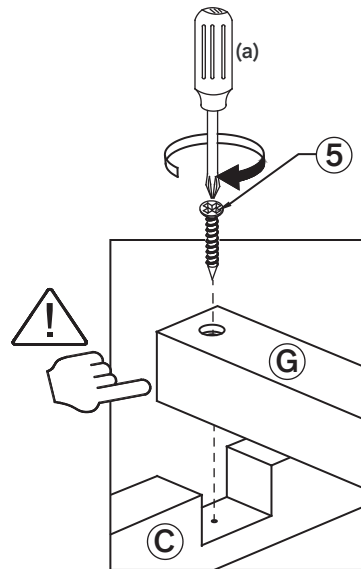
7. Attach L-Metal Brackets (7) to the Long/Short Side Guardrails (D, E) and Top Side Rails (C) using Short Screws (8), and tighten with Phillips-head Screwdriver (a).



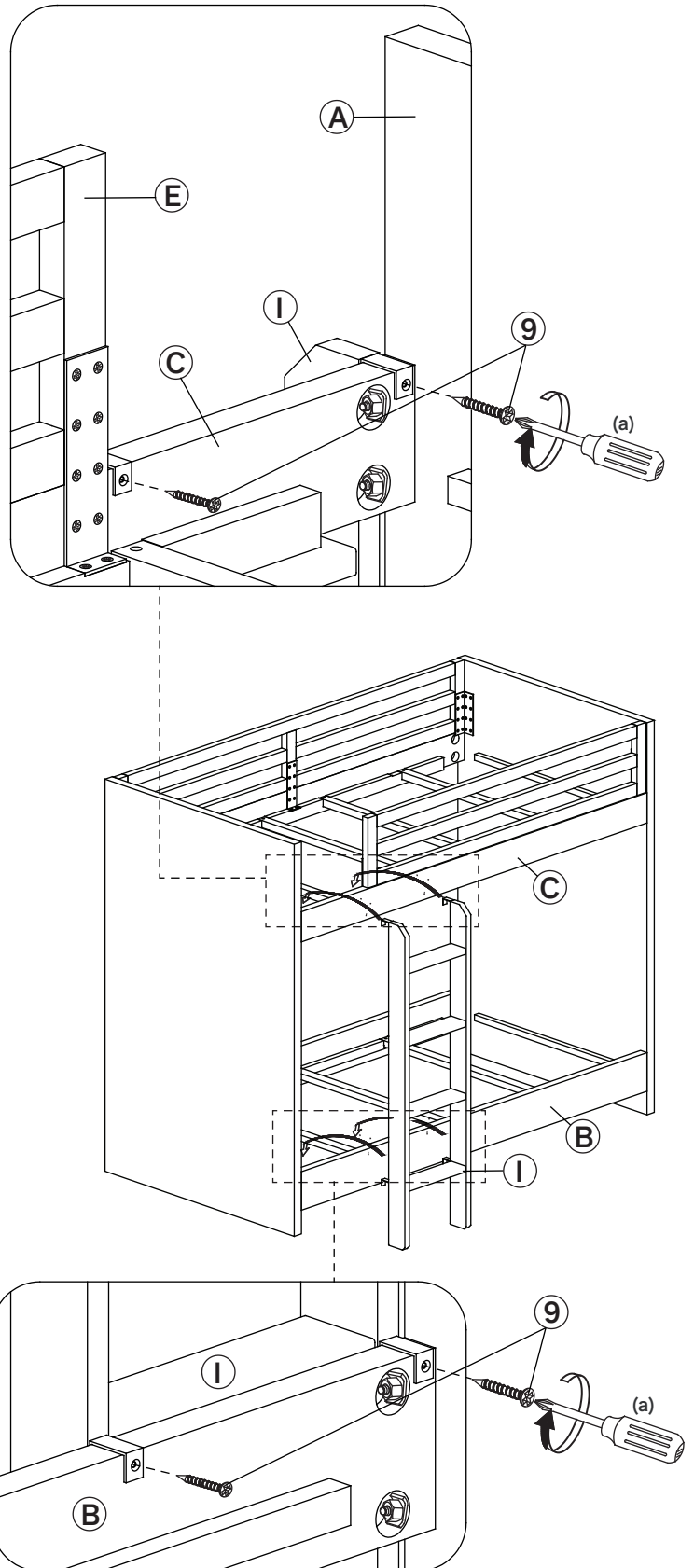


8. Lay the Top Slats (G) between the Top Side Rails (C), and tighten with Long Screws (5) and Phillips-head Screwdriver (a).

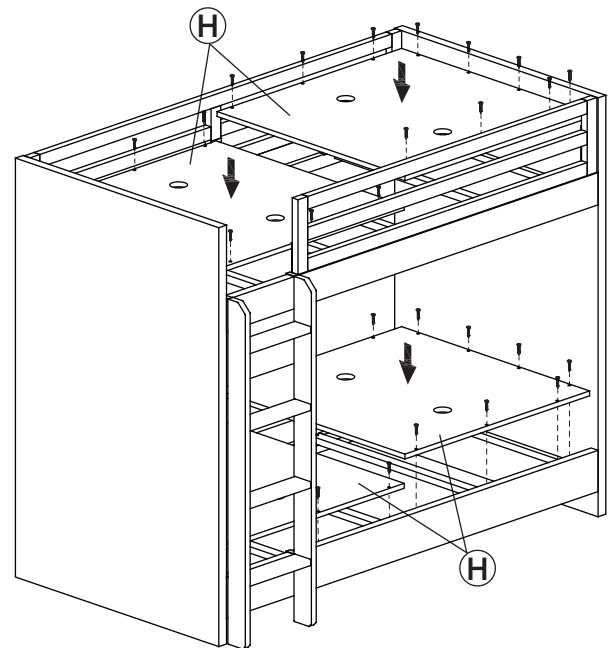
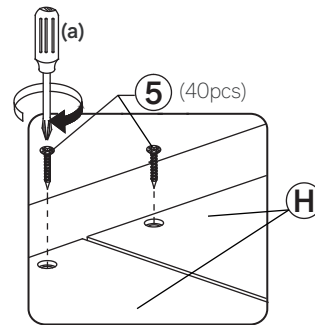
Lay the Bottom Slats (F) between the Bottom Side Rails (B) and tighten with Long Screws (5) and Phillips-head Screwdriver (a).



9. Position the Ladder (I) in the opening between the Headboard/Footboard (A) and Short Side Guardrail (E). Hook the Ladder (I) over the crossbar of the Top Side Rail (C) and Bottom Side Rail (B) then insert Medium Screws (9) and tighten with Phillips-head Screwdriver (a).



10. Lay the Platform Panels (H) on top of the Top Slats (G) and the Bottom Slats (F), then attach using Long Screws (5) with Phillips-head Screwdriver (a).



**WARNING:**

**AFTER BUNK BED IS COMPLETELY ASSEMBLED, RETURN TO EACH BOLT AND TIGHTEN TO A SNUG FIT. DO NOT OVERTIGHTEN.**

**CARE AND CLEANING INSTRUCTIONS:**

1. DO NOT scratch or chip the finish.
2. DO NOT use abrasive chemicals for cleaning.
3. Dust often using a soft, dry cloth.
4. Blot spills immediately and wipe with a clean, damp cloth.
5. We do not recommend the use of chemical cleaners, abrasives, or furniture polish on our lacquered finish.

