



WARNING

Young children may be injured by tipping furniture, and proper installation of the mounting hardware for this item is highly recommended. When properly installed, this mounting hardware could provide protection against the unexpected tipping of this furniture piece. We recommend mounting to a wall stud if possible.

PARTS INCLUDED

A [1] DESK

TOOLS NEEDED: Phillips Head Screwdriver (not included)

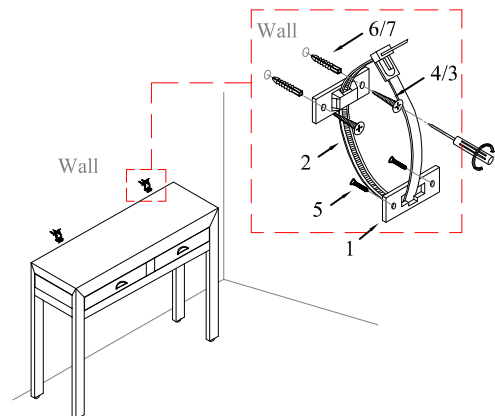
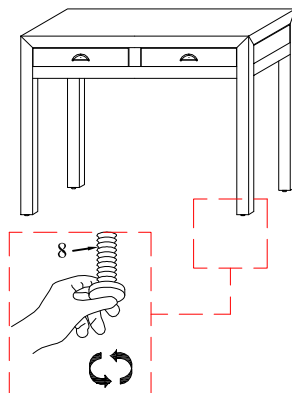
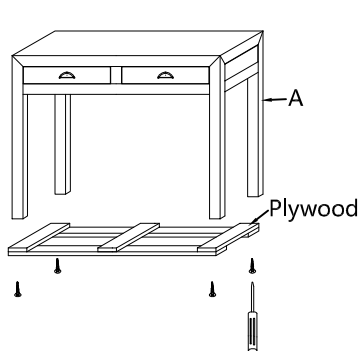
ASSEMBLY INSTRUCTIONS

Two people are recommended for easy assembly. These instructions are written assuming two people are assembling the unit.

- Carefully unpack the contents of the carton.
- Take the plywood apart from the Desk (A) by taking off the screws using Screwdriver (not included) as shown in the sketch.
- Place two of the Plastic Brackets (1) near the top back edge of furniture, insert Short Screws (5) and tighten with Screwdriver (not included).
- According to the wall material, choose the corresponding wall mounting hardware, then drill two holes in the wall and insert the Anchors (6/7), attach the second set of Plastic Brackets (1) by inserting the Screws (4/3):

Concrete wall	Wall anchor (6)		4 pcs.	Long Screw (4)		4 pcs.
Dry wall	Wall anchor (7)		4 pcs.	Longer screw (3)		4 pcs.
Wood wall				Long Screw (4)		4 pcs.

- Lace one end of the Restraint Straps (2) down through each Plastic Bracket (1), bring both ends together and slide the beaded end until its snap locks into the keyhole slot as shown in the sketch.
- Insert the Plastic Pads (8) into the holes in the bottom of Desk leg as shown in the sketch, rotate it to adjust the Desk (A) to be stable on the floor.



NO.	ITEM	DESCRIPTION	QTY.
1		Plastic Bracket	4 pcs.
2		Restraint Strap	2 pcs.
3		Longer Screw	4 pcs.
4		Long Screw	4 pcs.
5		Short Screw	4 pcs.
6		Anchor (for concrete wall)	4 pcs.
7		Anchor (for dry wall)	4 pcs.
8		Plastic Pad	4 pcs.

CARE INSTRUCTIONS

- Clean periodically by wiping the furniture lightly with a soft, clean cloth.
- We don't recommend using abrasive or chemical cleaners as they may damage the finish.