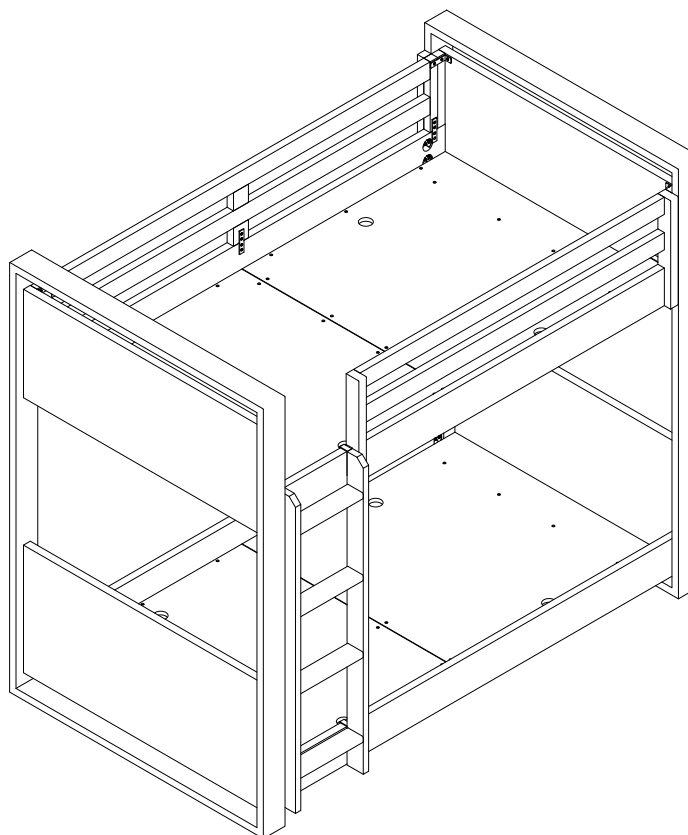


RH BABY & CHILD

WYLER TWIN OVER TWIN BUNK BED - ASSEMBLY INSTRUCTIONS



WARNING: Read all instructions before assembling this product. **KEEP INSTRUCTIONS FOR FUTURE USE.**



CUSTOMER SERVICE

If you are missing parts or have any questions about this product, contact us first. You can also order parts by writing to the address above. Include the product model number, color, and a brief description of the part. Call 1-800-762-1751.

CARE AND CLEANING

DO NOT scratch or chip the finish. DO NOT use abrasive chemicals for cleaning. Dust often using a clean, soft, dry cloth.

Blot spills immediately and wipe with a clean damp cloth. If the bunk bed is to be stored, store in a cool dry place and carefully package all original hardware to protect from loss.

TOOLS AND INSTALLATION

Tools Necessary: Allen Key (included)

Wrench (included)

Screw driver (Not included)

NOTE: It may be easier to assemble product with two people.

NOTE: When inserting bolts, turn clockwise until tight. Then loosen $\frac{1}{2}$ - $\frac{3}{4}$ of a turn. After bunk bed is completely assembled, return to each bolt and tighten. Use wax or soap on all bolts to facilitate assembly

IMPORTANT SAFETY INFORMATION FOR BUNK BED

1. Follow the information on the WARNINGS appearing on the upper bunk end structure and on the carton.
2. Always use the specified size mattress or mattress support, or both to help prevent the likelihood of entrapment or falls.
3. Surface of mattress must be at least 5 inches below the upper edge of guardrails on top bunk.
4. Do not allow children under 6 years of age to use the upper bunk.
5. Prohibit more than one person on upper bunk.
6. Periodically check and ensure that the guardrails, ladder, and other components are in their proper position, free from damage, and that all connectors are tight.
7. Do not allow horseplay on or under the bed and prohibit jumping on the bed.
8. Always use the ladder for entering and leaving the upper bunk.
9. Do not use substitute parts. Contact Restoration Hardware for replacement parts.
10. Use of a night light may provide added safety precaution for a child using the upper bunk.
11. Use guardrails on both sides of the upper bunk.
12. If the bunk bed will be placed next to a wall, the guardrail that runs the full length of the bed should be placed against the wall to prevent entrapment between the bed and the wall.
13. The use of water flotation mattress is prohibited.
14. **STRANGULATION HAZARD** - Never attach or hang items to any part of the bunk bed that are not designed for use with the bed: for example, but not limited to, hooks, belts, and jump ropes.
15. Keep these instructions for future reference.
16. DO NOT remove warning label from bed.



WARNING

TO HELP PREVENT SERIOUS OR FATAL INJURIES FROM ENTRAPMENT OR FALLS:





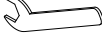
1. Never allow a child under 6 years on upper bunk.
2. Use mattress which is 38"W x 75"L x 7"H on Twin upper bunk, and 38"W x 75"L x 10"H on Twin lower bunk.
3. Ensure thickness of mattress does not exceed 7" and mattress is at least 5" below upper edge of guardrails.
4. Use guardrails on both sides of upper bunk.
5. Use ladder for entering and leaving upper bunk.
6. Prohibit horseplay on or under bed(s).
7. Prohibit more than one person on upper bunk.
8. If the bunk bed will be placed next to a wall the guardrails that run the full length of the bed .





STRANGULATION HAZARD

9. Never attach or hang items to any part of the bunk bed that are not designed for use with the bed; for example, but not limited to, hooks, belts, and jump ropes.

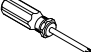
DO NOT REMOVE THIS LABEL

HARDWARE LIST

HARDWARE FOR UPPER SIDE RAILS & LOWER SIDE RAILS			
NO.	ITEM	DESCRIPTION	QTY.
1		Threaded Rod	16 pcs.
2		Curved Washer	16 pcs.
3		Lock Washer	16 pcs.
4		Hex Nut	16 pcs.
5		Wrench	1 pc.

HARDWARE FOR GUARDRAIL & LADDER			
NO.	ITEM	DESCRIPTION	QTY.
6		Flat Head Screw (M4 x 20mm)	33 pcs.
7		"L" Metal Bracket	3 pcs.
8		"V" Metal Bracket	1 pc.
9		Mending Plate	4 pcs.

HARDWARE FOR SLATS & PLATFORM PANELS			
NO.	ITEM	DESCRIPTION	QTY.
10		Round Head Screw (M4 x 20mm)	12 pcs.
11		Round Head Screw (M4 x 25mm)	56 pcs.

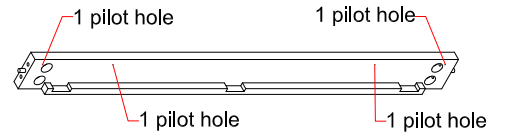
TOOLS REQUIRED (NOT PROVIDED)			
NO.	ITEM	DESCRIPTION	QTY.
12		Phillips Screwdriver (Not provided)	1 pc.

COMPONENT IDENTIFICATION AND HARDWARE

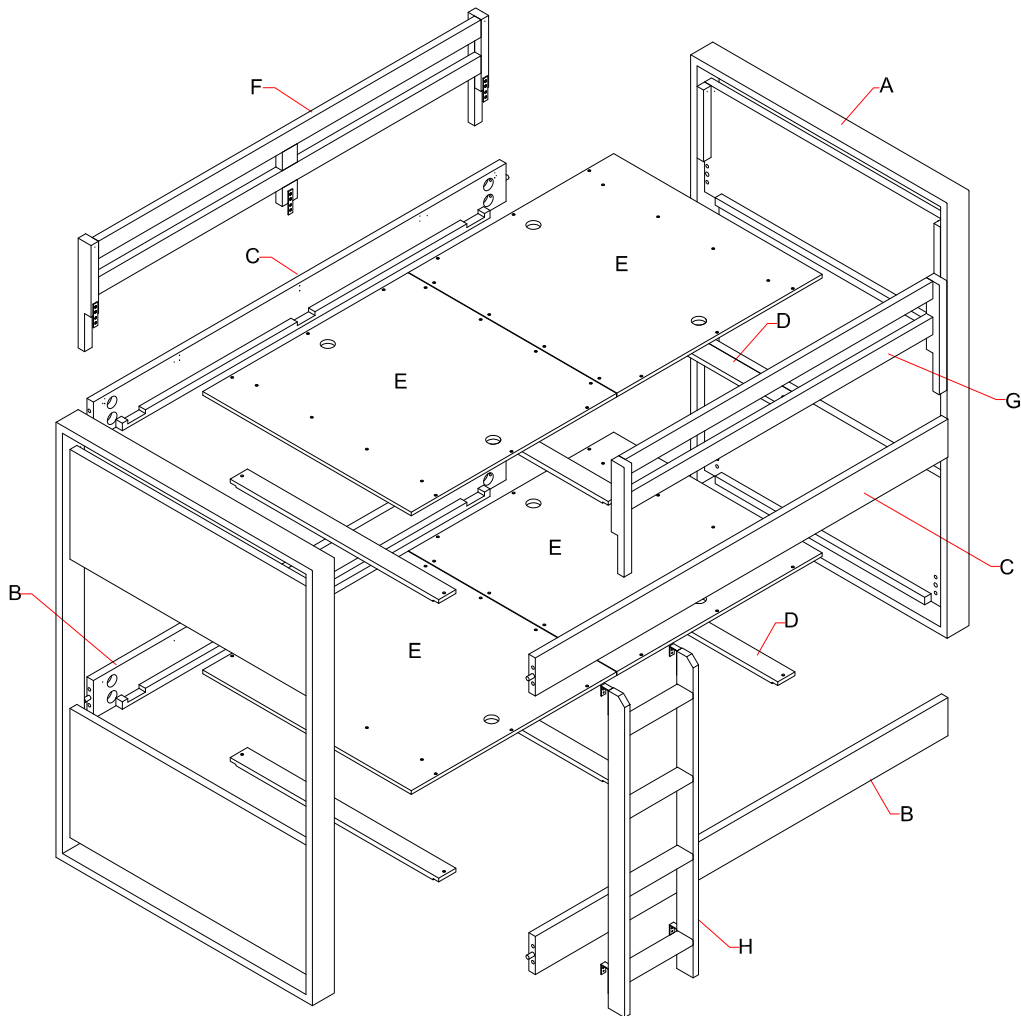
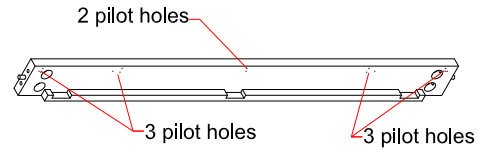
PARTS INCLUDED

- A [2] HEADBOARD/FOOTBOARD
- B [2] LOWER SIDE RAIL
- C [2] UPPER SIDE RAIL
- D [6] BED SLATS
- E [4] PLATFORM PANELS
- F [1] LONG GUARD RAIL
- G [1] SHORT GUARD RAIL
- H [1] LADDER

LOWER SIDE RAIL (B)
(with 4 pilot holes in inside surface)



UPPER SIDE RAIL (C)
(with 14 pilot holes in inside surface)

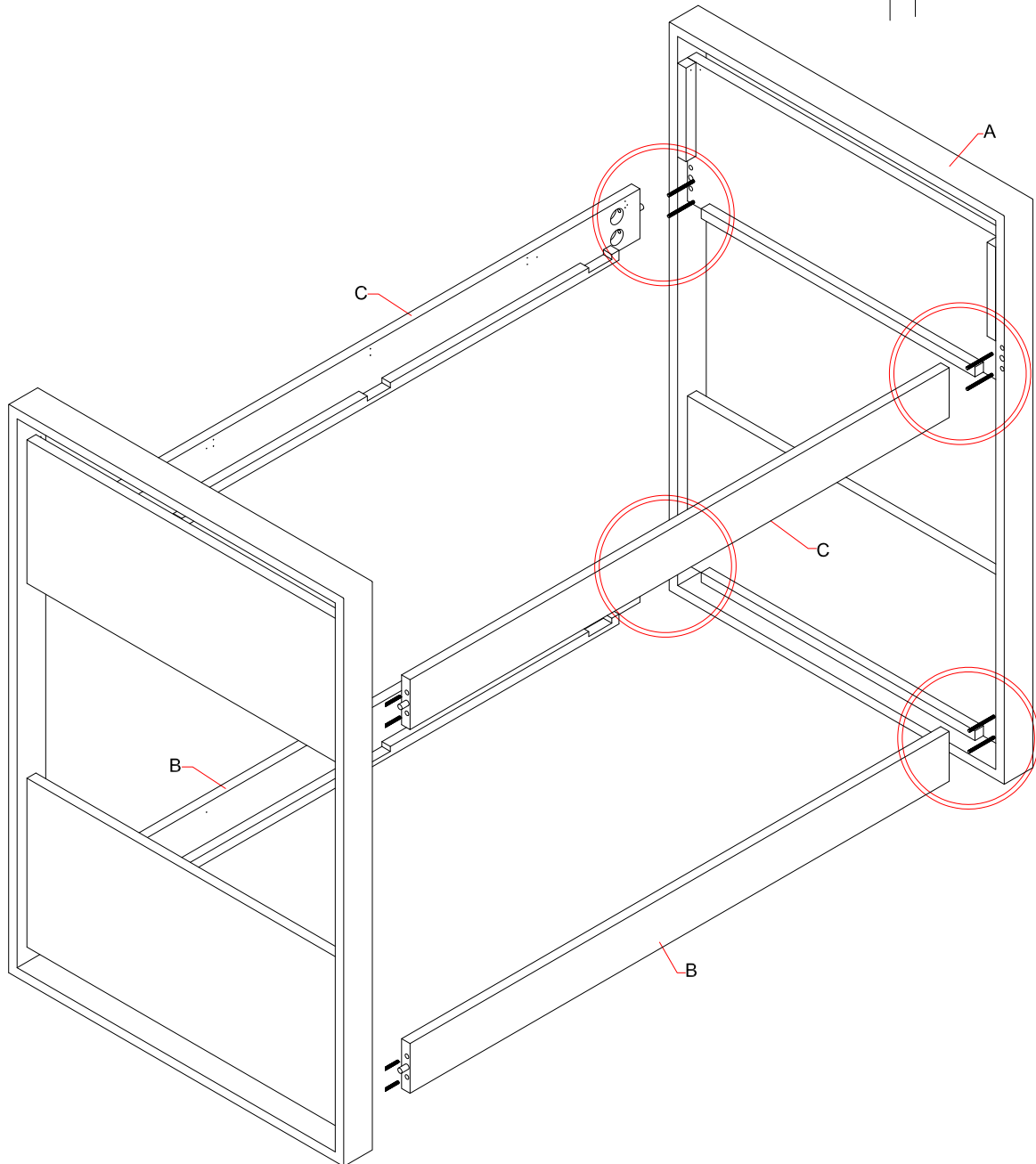
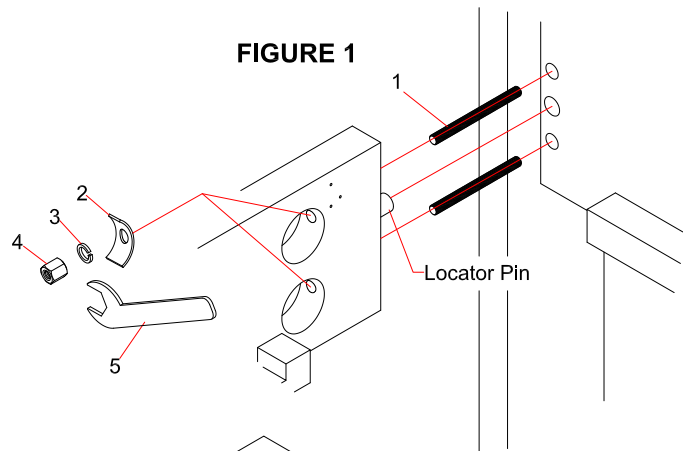


IMPORTANT

These bed parts can be cumbersome and heavy, therefore the assistance of two or more people is recommended in order to prevent personal injury and ensure the bed parts are not damaged during the assembly process.

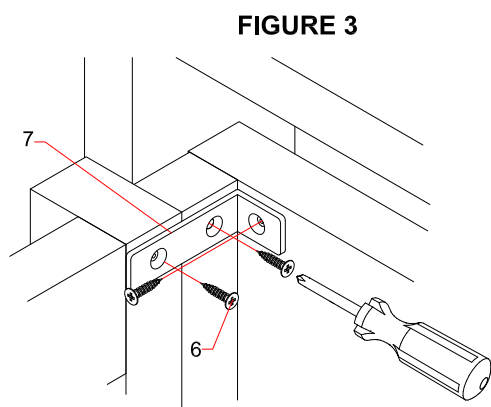
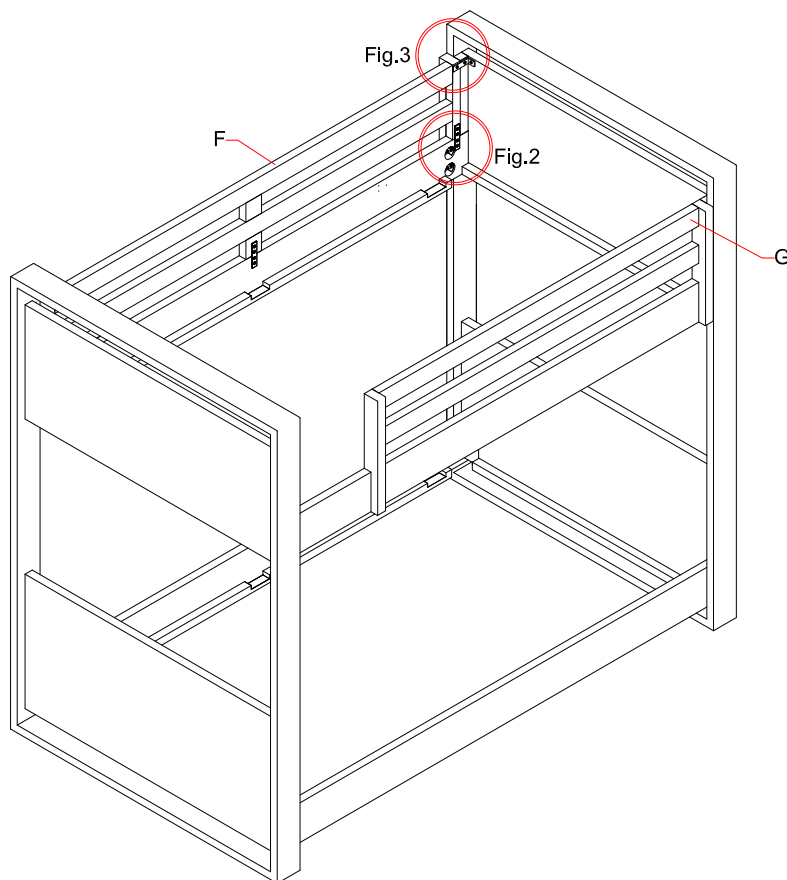
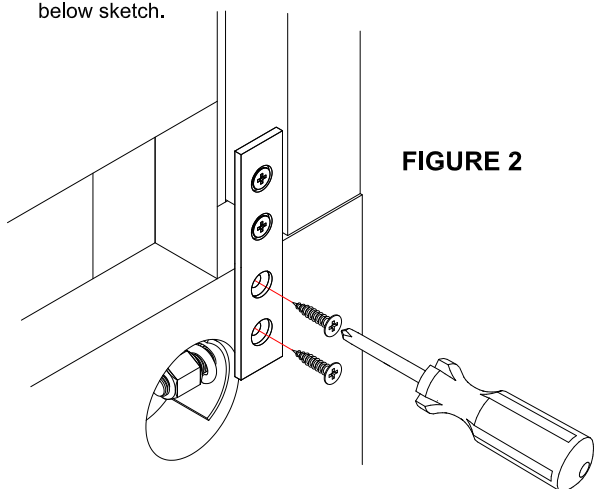
ASSEMBLY INSTRUCTIONS

1. Attach the threaded rods (1) into the fixed nuts in the headboard/footboard (A), as per illustration in **FIGURE 1**.
2. Insert 4 side rails (B/C) into the bed headboard/footboard.
3. Secure the side rails to the headboard /footboard by using hex nuts (4), lock washers (3), and curved washers (2). See **FIGURE 1**.

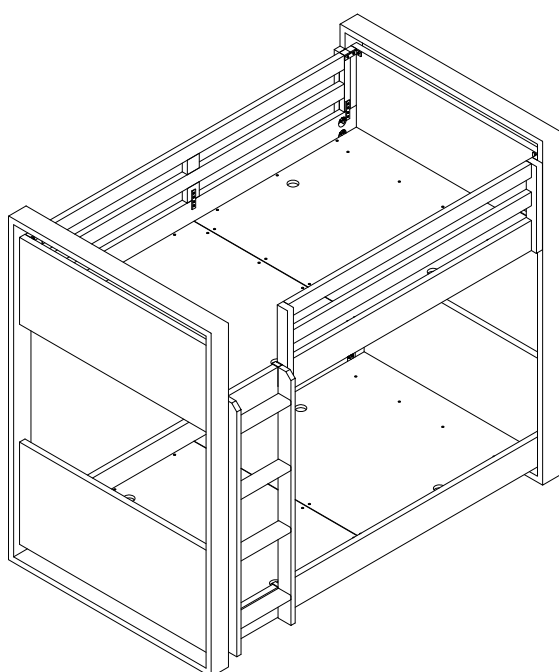


- Attach the long guard rail (F) and short guard rail (G) into the upper side rail. Fasten the metal bracket on the bottom of the guard rail to the upper side rail by using screws (6). See **FIGURE 2**.
- Use "L" metal brackets (7) and screws (6) to attach the guard rail to the headboard and the footboard (A). See **FIGURE 3**.

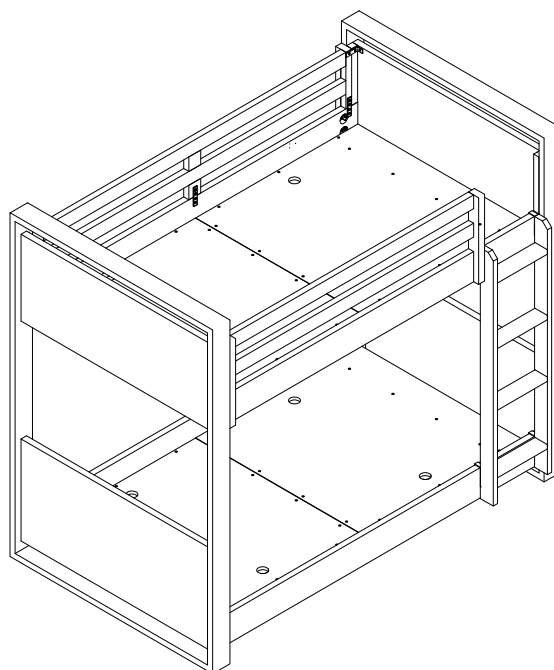
NOTE: The Short Guard Rail can be installed at either end of the bed depending on your desired ladder location. Please see ladder options in below sketch.



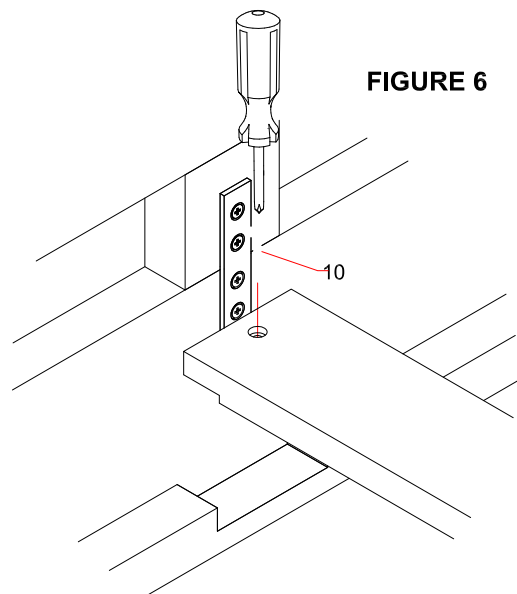
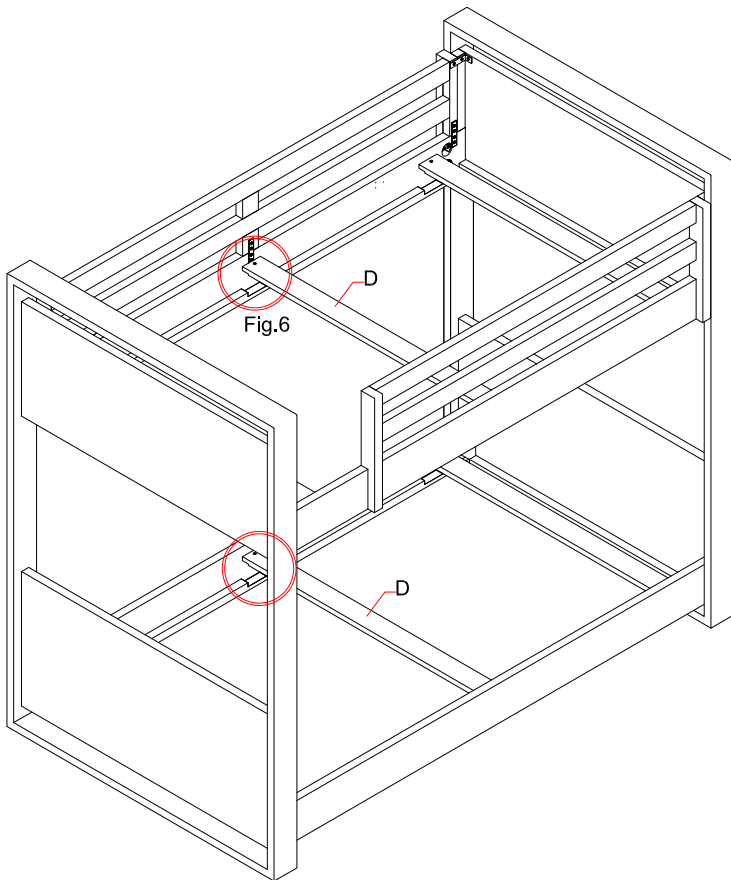
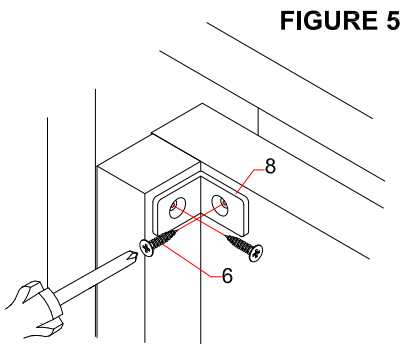
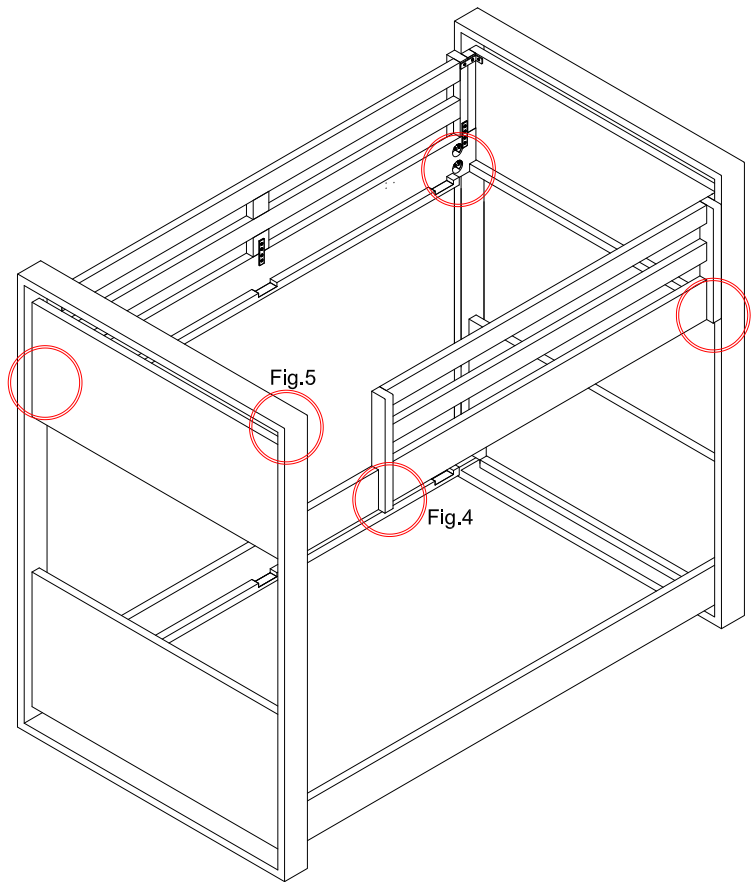
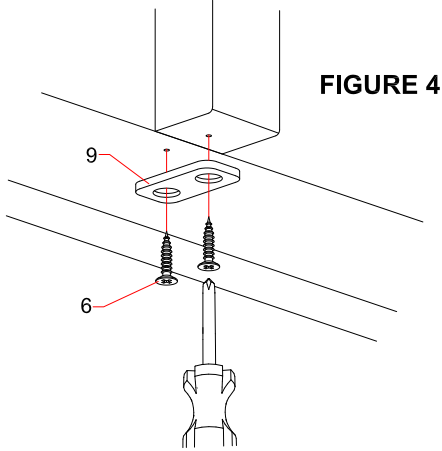
OPTION A



OPTION B



6. Attach bottom of the guard rail (F/G) to bottom of the upper side rail by using mending plates (9) and screws (6). See **FIGURE 4**.
7. Attach the "V" metal bracket (8) to the another front corner of the upper bunk, as per illustration in **FIGURE 4**, using screws (6).
8. Set the bed slats (D) on the slat holders of the upper side rails and the lower side rails. Fix each slat to the slat holders by using screws (10) provided. See **FIGURE 6**.



9. Attach the ladder (H), as per illustration in **FIGURE 7** and **FIGURE 8**.

10. Place the platform panels (E) on the lower bed and the upper bed, then secure these panels with screws (11), as per illustration in **FIGURE 9**.

FIGURE 7

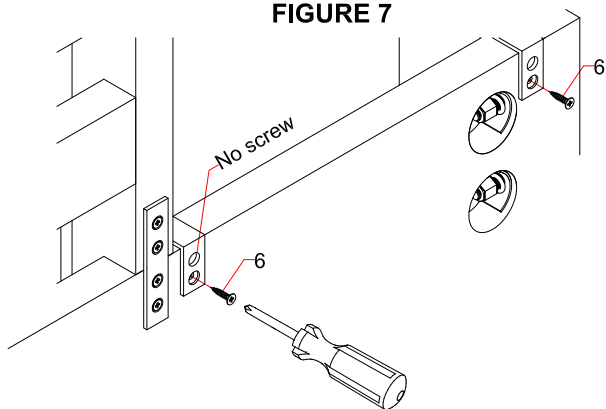


FIGURE 8

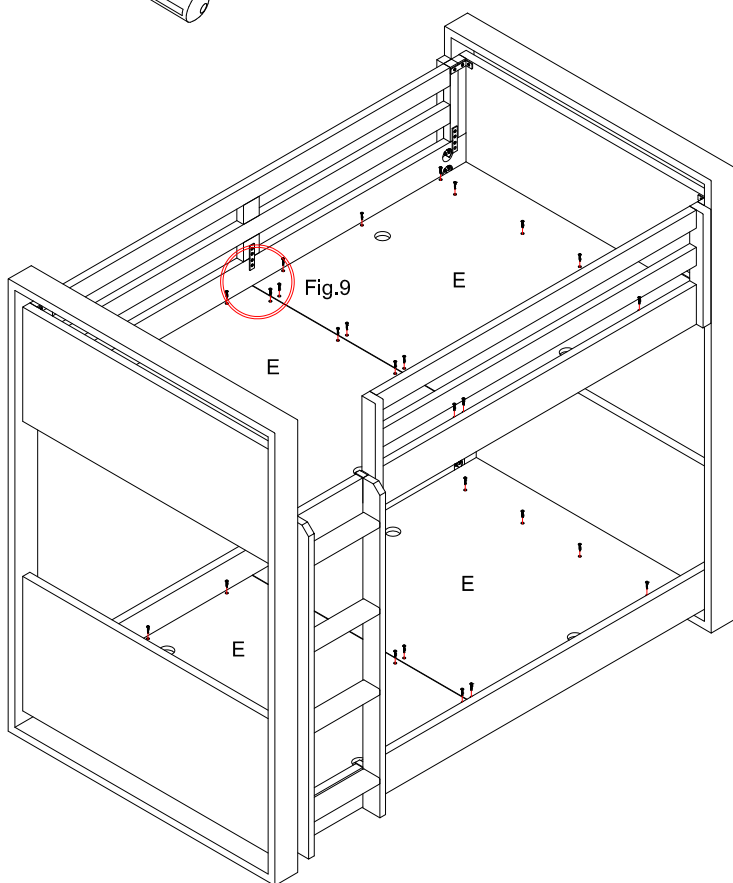
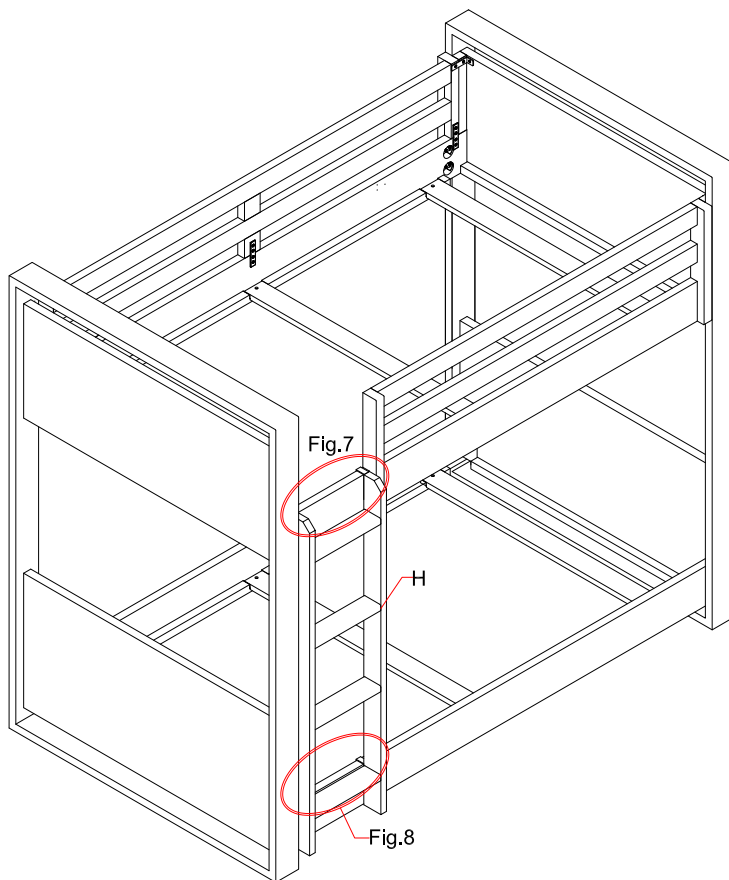
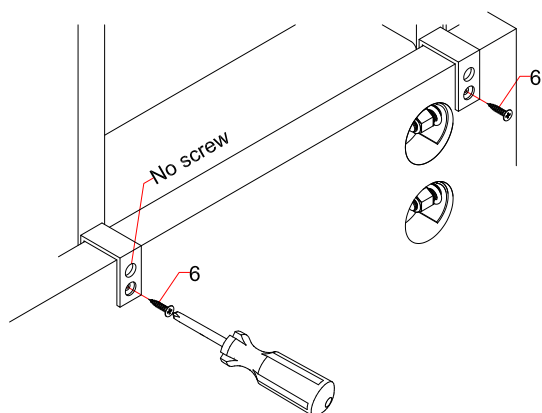
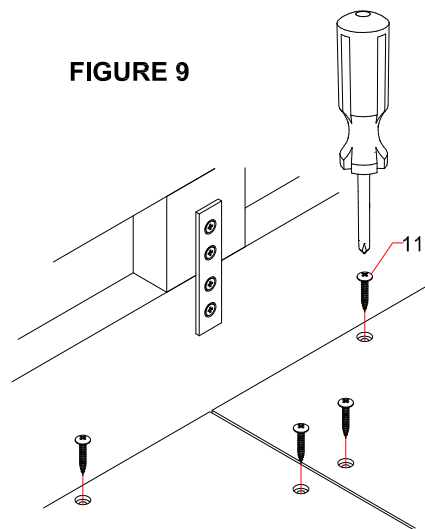


FIGURE 9



11. INSTALL BEDDING

BEDDING SPECIFICATION:

The following size mattress and foundation are specified for use with this bunk bed.

Mattress: 38"W x 75"L x 7"H on Twin upper bunk, and 38"W x 75"L x 10"H on Twin lower bunk.

****Note: TOP MATTRESS AND PLATFORM MUST NOT EXCEED 7" TOTAL THICKNESS**

Be sure to adhere to these BEDDING SPECIFICATIONS in order to avoid the possibility of falling or entrapment. THESE SPECIFICATIONS MUST BE STRICTLY ADHERED TO!

UPPER BUNK MATTRESS DIAGRAM

