

ASHER PLAY TABLE

WARNING : ADULT ASSEMBLY ONLY OWING TO THE PRESENCE OF SMALL PARTS, SHARP POINTS AND EDGES

Customer Service- If you are missing parts or have any questions about this product, please contact us at :
1-800-762-1751

PART LIST

- A [1] TABLE TOP
- B [4] LEGS
- C [1] ALLEN KEY
- D [8] 5/16"x50mm BOLTS
- E [8] 5/16" SPRING WASHER
- F [8] 5/16"x19x10mm FLAT WASHER

PRE-ASSEMBLY

Please read all instructions before beginning assembly.

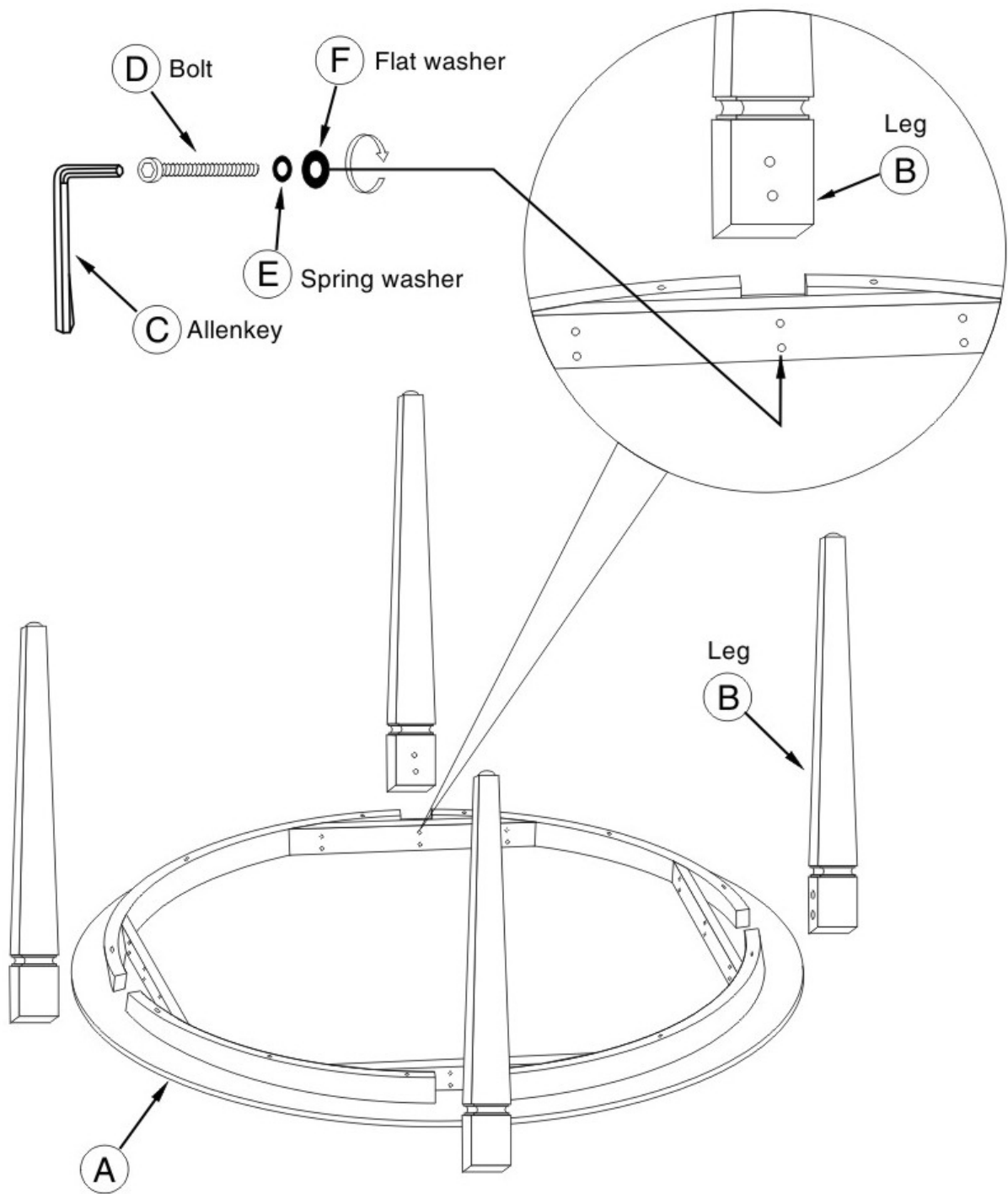
For ease of assembly, two adults are recommended.

Save all packaging materials until assembly is complete to avoid accidentally discarding smaller parts or hardware.

ASSEMBLY INSTRUCTIONS

1. Turn Table top (A) upside down and place on a clean padded surface, such as carpeted floor, to prevent scratches.
2. Insert Leg (B) bolts into stretcher underneath, slide Flat washer (F), Spring washer (E) onto Bolts (D) and use Allen key (C) to tighten the bolts into legs. Repeat this process for all legs.
3. Turn table upright.





Thank you for your purchase
www.rhbabyandchild.com