

## MARLOWE SLEIGH BED

**WARNING :** ADULT ASSEMBLY ONLY OWING TO THE PRESENCE OF SMALL PARTS, SHARP POINTS AND EDGES

**Customer Service-** If you are missing parts or have any questions about this product, please contact us at : 1-800-762-1751





### PART LIST

A [1] HEADBOARD  
B [2] FOOTBOARD  
C [2] SIDE RAILS  
D [1] SLAT ROLL

### TOOLS NEEDED

- Screwdriver

### HARDWARE LIST

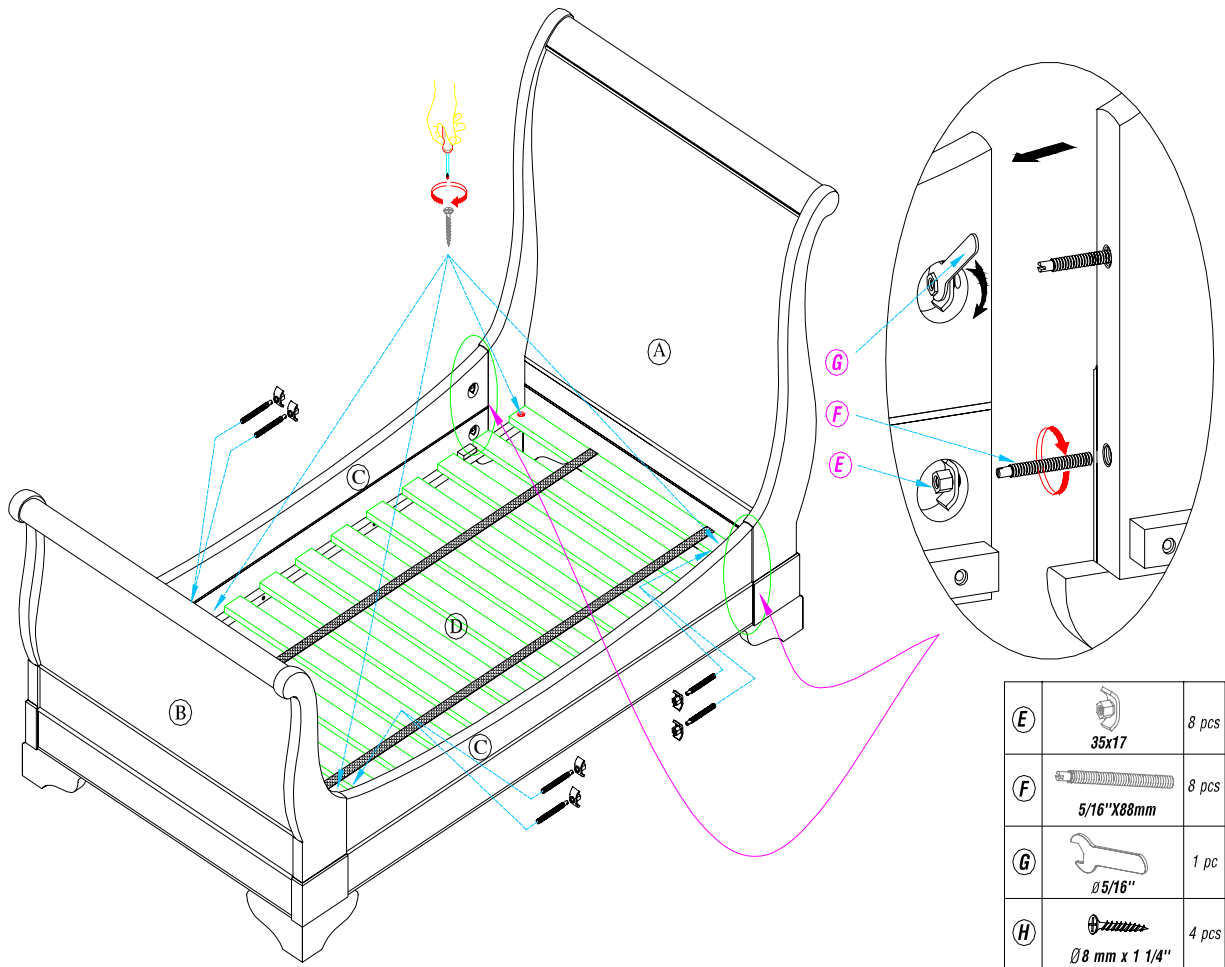
|          |  |       |                       |
|----------|--|-------|-----------------------|
| <b>E</b> | <br>35x17           | 8 pcs | Curved slotted washer |
| <b>F</b> | <br>5/16"X88mm      | 8 pcs | Threaded rod          |
| <b>G</b> | <br>Ø 5/16"         | 1 pc  | Wrench                |
| <b>H</b> | <br>Ø 8 mm x 1 1/4" | 4 pcs | Wood screw            |

### ASSEMBLY INSTRUCTION

**Note:** Bed can be assembled by one person rather easily, but if two people are available it is a bit easier and the operation will require less preparation. The instructions are written assuming one person is assembling the bed.

- I. Place the headboard (A) upright in the position you wish the bed to be in when fully assembled. The headboard bedfast hardware should be facing the inside, toward the mattress. Secure the threaded rod (F) to the Headboard (A). Raise the Side rail (C) up and place the rod into the Side rail (C) at the bore holes' position, insert Curved slotted washer (E) and tighten hex nuts using wrench (G). Repeat the procedure with the other side rail end and Footboard (B).

- Lay the slat roll (D) in between the side rails (C) and use wood screws (I) to fasten 2 end slats to the side rails with a screwdriver.



Thank you for your purchase  
[www.rhbabyandchild.com](http://www.rhbabyandchild.com)