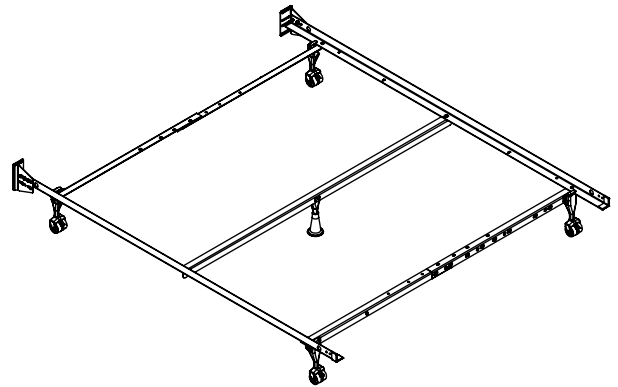


RH TEEN

FULL/QUEEN METAL BED FRAME WITH ROLLERS

PARTS INCLUDED

- A [2] SIDE RAILS
- B [2] HEADBOARD BRACKETS
- C [1] CROSS SUPPORT
- D [4] PLASTIC SOCKETS
- E [4] ROLLERS
- F [1] GLIDES
- G [2] END CAPS
- H [2] BOLTS "A"
- I [2] BOLTS "B"
- J [4] NUT



TOOLS NEEDED

- A [2] WRENCH

ASSEMBLY INSTRUCTIONS

1. Install foot attachments as shown in Figure 1. It may be necessary to tap PLASTIC SOCKETS into place.
2. Mount HEADBOARD BRACKETS to SHOULDER RIVETS at ends of side rails. Choose the setting (high or low) closest to the mounting holes in the headboard. Secure tightly with NUT and BOLT "A". See Figure 2
Note: The headboard brackets may be reversed to accommodate wide headboards.
3. Swing out CROSS ARMS TO 90 degrees. Determine the desired bed size (Full or Queen). Overlap CROSS ARMS and engage SHOULDER RIVETS into proper keyholes. Note: Both rivet heads must engage in keyhole slots. See Figure 3.
WARNING: END CAPS MUST BE PLACED OVER END OF SIDE RAILS TO AVOID SERIOUS INJURY.
4. Attach CROSS SUPPORT with NUTS and BOLTS "B" as shown in Figure 4. CROSS SUPPORT should be placed diagonally for full size bed.

Figure 1.

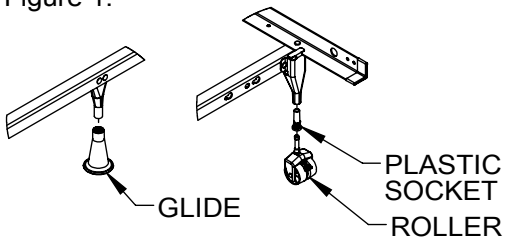


Figure 2.

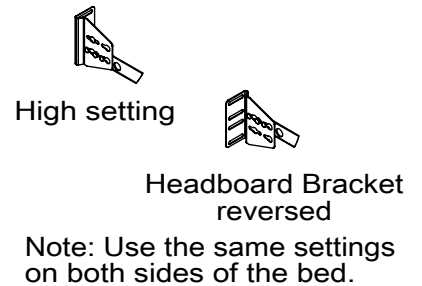
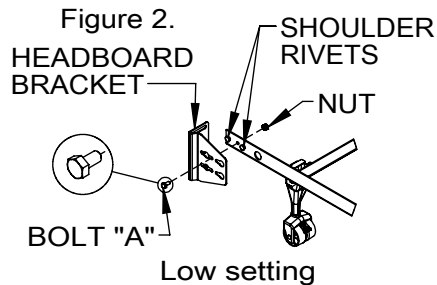


Figure 3.

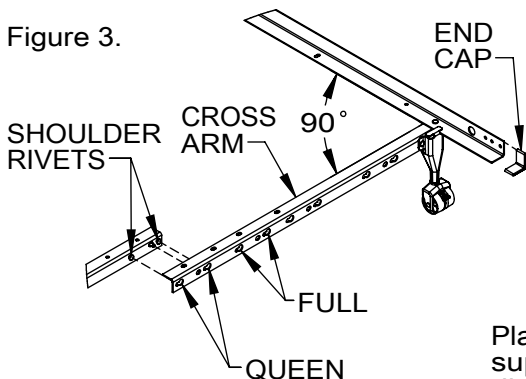


Figure 4.

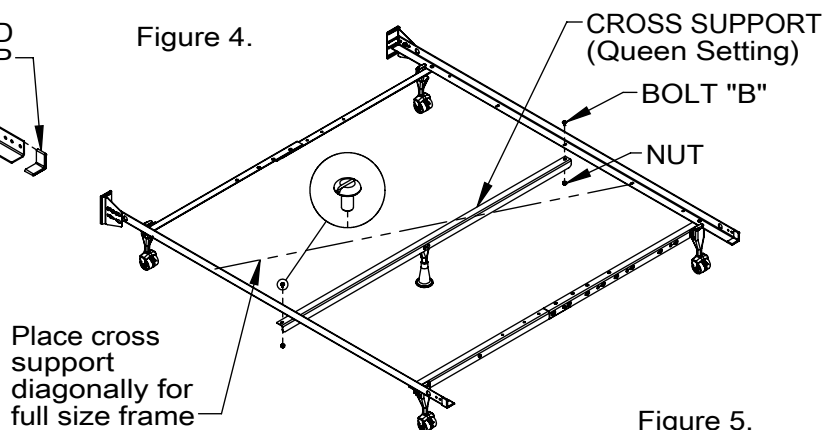
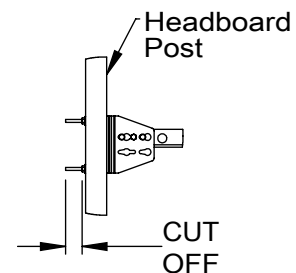


Figure 5.



WARNING!

When attaching this frame to a headboard with narrow posts it is recommended that any excess bolt be cut off after attachment. See Figure 5.

RH TEEN

FULL/QUEEN METAL BED FRAME WITH ROLLERS

Leggett & Platt® Bedding Support Product One-Year Limited Warranty

Leggett & Platt® Consumer Products Group (“LPCPG”) warrants to the original retail purchaser (“Purchaser”) that the LPCPG bed frame, center support system, bed rails, rollaway cot, top spring and/or pop up unit (“Product”), will at the time of purchase be free from defects in material and workmanship caused by LPCPG, subject to the terms and conditions set forth herein. This warranty shall apply for a period of one (1) year from date of purchase of the Product by the Purchaser from an authorized retailer.

This warranty extends only to the Purchaser and may not be assigned or transferred. The Purchaser must be an individual who purchases the Product directly from an authorized retailer for the Purchaser’s own single family residential use. If a buyer is not the Purchaser of the Product, he/she takes the Product “as is” and “with all faults.” Proof of purchase will be required to demonstrate that buyer is the Purchaser and eligible to make a valid claim under this warranty.

In the event of a breach of this warranty, upon timely notice during the warranty period, LPCPG’s sole obligation shall be to, at LPCPG’s option, either repair or replace the Product or allow credit in the amount of the purchase price for the Product. Repair, replacement, or a credit allowance shall be the sole and exclusive remedy under this warranty. To take advantage of this warranty, return the defective Product to the store where purchased. If the seller has moved or gone out of business, contact LPCPG directly for claim submission at either the website or the telephone number provided in the last paragraph of this warranty. Any transportation, shipping and handling costs, and the risk of loss during transit, shall be borne by the Purchaser. Repairs to or exchange of a Product under the terms of this warranty will apply to the original warranty period and will not serve to extend such warranty period.

LPCPG will not be responsible for repair, replacement, or credit where damage to the Product has been caused by (i) abuse, negligence, improper installation, or misuse of the Product; (ii) acts or omissions of any person or entity other than LPCPG; (iii) institutional or commercial use; or (iv) acts of God or other natural forces. TO THE EXTENT PERMITTED BY APPLICABLE LAW, ANY OTHER WARRANTIES, EXPRESS OR IMPLIED, INCLUDING ANY IMPLIED WARRANTY OF MERCHANTABILITY OR FITNESS FOR A PARTICULAR PURPOSE, ARE HEREBY DISCLAIMED; PROVIDED, THAT TO THE EXTENT APPLICABLE LAW DOES NOT ALLOW SUCH DISCLAIMER OF ANY PARTICULAR IMPLIED WARRANTY, SUCH WARRANTY SHALL BE LIMITED IN DURATION AND OTHERWISE TO THE EXPRESS WARRANTY SET FORTH HEREIN AND IS SUBJECT TO THE SAME LIMITATIONS SET FORTH HEREIN. IN NO EVENT SHALL LPCPG BE LIABLE FOR (A) SPECIAL, INCIDENTAL OR CONSEQUENTIAL DAMAGES, OR (B) DAMAGES IN EXCESS OF THE PURCHASE PRICE OF THE PRODUCT, WHETHER ARISING IN CONTRACT OR TORT (INCLUDING NEGLIGENCE). No modification of this warranty shall be effective unless it is in writing and signed by an authorized officer of LPCPG. This warranty is exclusive and in lieu of all other warranties, oral or written, and supersedes all previous warranties, if any.

Some states and provinces do not allow limitations on how long an implied warranty lasts, so the above limitations may not apply to every Purchaser. Some states and provinces do not allow the exclusion or limitation of special, incidental or consequential damages, so the above limitation or exclusion may not apply to every Purchaser. This warranty gives the Purchaser specific legal rights and the Purchaser may have other legal rights which vary by state or by province. This warranty does not apply to sales outside of the United States and Canada.

For Residents of Canada: This warranty is subject to the applicable provisions of Canadian consumer protection laws that cannot be derogated from by private agreement. You confirm your request that this warranty and all documents related directly or indirectly thereto be drafted in the English language. Vous reconnaissez avoir requis que la présente convention ainsi que tous les documents qui s’y rattachent directement ou indirectement soient rédigés en langue anglaise.

For warranty inquiries and claim submission, please visit LPCPG.com and click on “Contact Us” or call 1-800-825-5233.