

MARLOWE CHANGING TABLE AND TOPPER



WARNING:

FALL HAZARD – To prevent death or serious injury from falls, always keep child within arm's reach. **NEVER LEAVE CHILD UNATTENDED** and always use restraining system.

This changing table is intended for use with children weighing up to 30 pounds. Marlowe changing topper will be used with Marlowe Changing table (sold separately) with size 44"W x 19-1/2"D x 36"H. Cushion pad size is 32"L x 16"W x 4"H.

Do not use the changing table if it is damaged or broken.

Customer Service- If you are missing parts or have any questions about this product, please contact us at : 1-800-762-1751

IMPORTANT SAFETY INSTRUCTIONS:

Please read all instructions before use of the changing table.

For your safety, assembly by two or more adults is recommended.

Keep instructions for future use.

PRE-ASSEMBLY:

- The illustrations provided allow for easier assembly when used in conjunction with the assembly instructions.
- Remove all parts and hardware from the box and lay out on a carpeted or scratch-free work surface. The shipping box provides an ideal work surface. Do not dispose of any contents until assembly is completed to avoid accidentally discarding small parts or hardware.
- Use the parts on the hardware list to identify and separate each of the pieces included prior to starting assembly.
- Note: **DO** not fully tighten the screws until all parts are in place. Failure to follow these instructions may cause the screws to misalign during assembly.
- If using power tools to aid in assembly please use caution. Power tools can damage hardware or split wood.

PARTS INCLUDED:

A [1] Topper

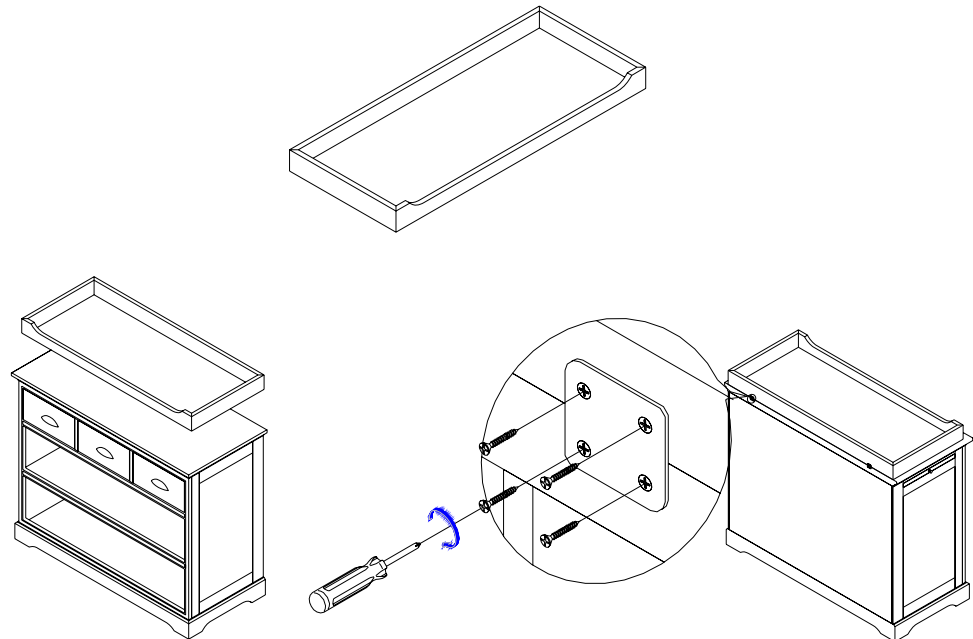
HARDWARE INCLUDED:

B [8] Wood screw 3.5x15mm 

C [2] Metal bracket 

ASSEMBLY INSTRUCTIONS:

To connect the Marlowe Changing Table Topper (A) to Marlowe Changing Table Base (sold separately), place (2) Metal Brackets (C) over the pre-drilled holes on back of Topper and secure it to Changing Table with (8) Wood Screws (B).



CARE INSTRUCTIONS:


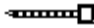



- Dust often using a clean, soft, dry lint-free cloth.
- Blot spills immediately, and wipe with a clean, damp, cloth.
- We do not recommend the use of chemical cleansers, abrasives, or furniture polish on our lacquered finish.

FURNITURE TIPPING RESTRAINT

Young children may be injured by tipping furniture and the use of a tipping restraint is highly recommended. When properly installed, this restraint could provide protection against the unexpected tipping of furniture due to small tremors, bumps or climbing. We recommend mounting this restraint to a wall stud.

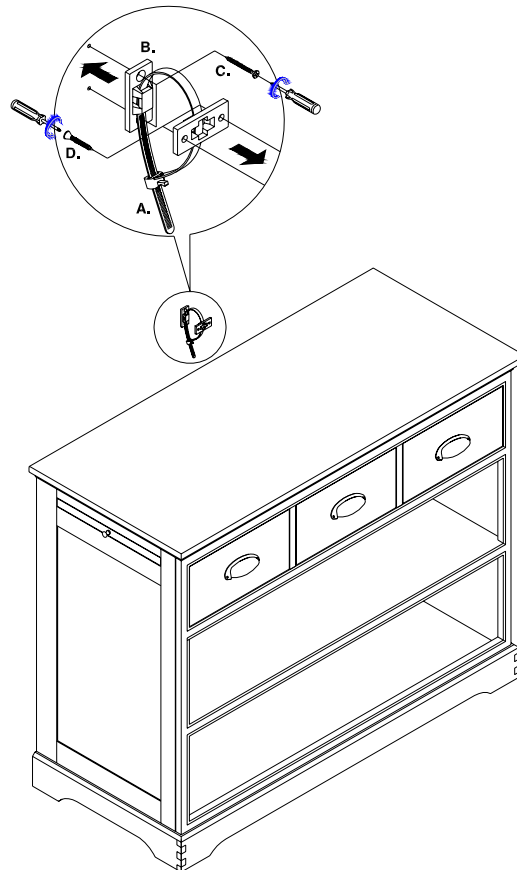
WARNING: This product is only a deterrent. It is not a substitute for proper adult supervision.

Part list

- | | |
|----------------------------|---|
| (4) Plastic brackets |  |
| (2) Restraint strap |  |
| (4) Phillip screws M4x30mm |  |
| (4) Phillip screws M4x20mm |  |
| (4) Plastic anchor |  |

Installation instruction

1. Attach one of the mounting brackets near the top back edge of the furniture piece by inserting the shorter screw.
2. Determine the final position of the furniture piece. Mark location on the wall approximately 2" below the bracket mounted to the back of the furniture.
3. Drill a starter hole into the wall stud. If wall stud is not available, drill a hole into the wall and insert plastic anchor. Gently tap the anchor until the flange of the anchor is flush with the wall.
4. Attach the second bracket by inserting the longer screw through the bracket and into the wall.
5. Place the furniture so the bracket on the back edge is in line with the bracket in the wall.
6. Lace one end of the nylon restraint strap down through each bracket. Bring both ends together and slide the beaded end until it snap locks onto the keyhole slot.
7. To double lock; return the beaded end back through the keyholes as shown.
8. Check to make sure the strap is securely laced and locked to the brackets



Thank you for your purchase
www.rhbabyandchild.com