

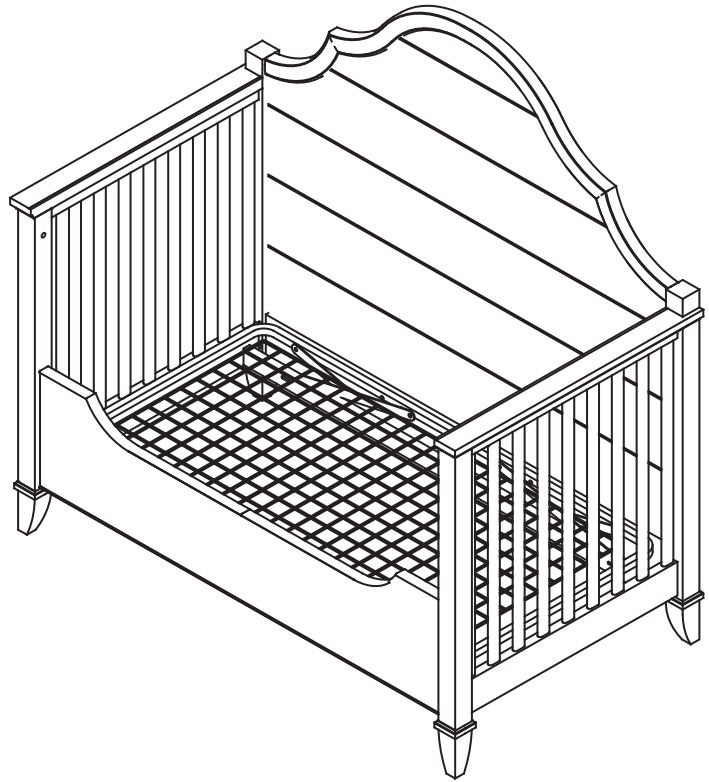
RHBABY&CHILD

SLOANE TODDLER BED CONVERSION KIT

Made in Vietnam
Model No: 130 - 14

Distributed in the U.S.A by:
RH Baby&Child
2900 N MACARTHUR DRIVE
TRACY, CA 95376
www.rhbabyandchild.com

Distributed in Canada by:
RH Canada, Inc.
1500-1055 West Georgia Street
Vancouver, British Columbia
V6E4N7



! **WARNING:** Read all
Instructions before assembling
this product.
**KEEP INSTRUCTIONS FOR
FUTURE USE.**

1. Read all instructions before assembly crib. Keep instructions for future use.
2. Never use plastic shipping bags or other plastic film as mattress covers because they can cause suffocation.
3. Infants can suffocate in gaps between crib sides and a mattress that is too small.

CUSTOMER SERVICE

If you are missing parts or have any questions about this product, contact us first. You can also order parts by writing to the address above. Include the product model number, color, and a brief description of the part. Or call 1-800-762-1751.

CARE AND CLEANING

DO NOT scratch or chip the finish. DO NOT use abrasive chemicals for cleaning. If the crib is to be stored, store in a cool, dry place and carefully package all original hardware to protect from loss.

TOOLS AND INSTALLATION

Tools needed: Key Wrench (included).

Two people are recommended for assembly.

When inserting bolts, turn clockwise until tight. Then loosen 1/2-3/4 of a turn. After bed is completely assembled, return to each bolt and tighten.



WARNING: ENTRAPMENT/STRANGULATION HAZARD

Infants have died in toddler beds from entrapment and strangulation.

Failure to follow these warnings and the assembly instructions could result in serious injury or death.

NEVER use bed with children under 15 months.

NEVER place bed near windows where cords from blinds or drapes may strangle a child.

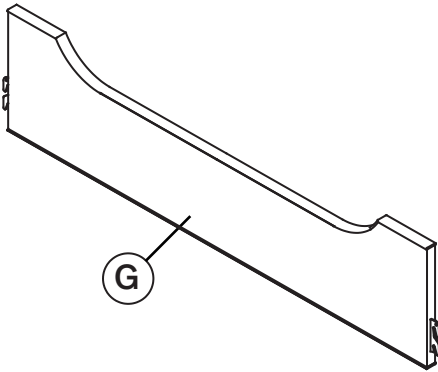
- The mattress intended for use on the bed must be a full-size crib mattress having minimum dimensions of 51 5/8 inches (1310mm) in length, 27 1/4 inches (690mm) in width and 4 inches (100mm) in thickness, not exceeding 6 inches (152mm) in thickness.
- If guardrails are used as the mattress containment means, guardrail(s) provided must be used to avoid the formation of a gap between the mattress and the bed that could cause an entrapment.
- DO NOT place bed near windows where cords from blinds or drapes may strangle a child.
- DO NOT place items with a string, cord, or ribbon around a child's neck, such as hood strings or pacifier cords.
- A child using the toddler or day bed must be at least 15 months of age and must not weigh more than 50 lbs (22.7kg).
- TO reduce the risk of SIDS, pediatricians recommend healthy infants be placed on their backs to sleep, unless otherwise advised by your physician.
- TO help prevent strangulation tighten all fasteners. A child can trap parts of the body or clothing on loose fasteners.
- Cords. Do not suspend strings over a crib or attach strings to toys.
When child is able to pull to a standing position, set mattress to lowest position and remove bumper pads, large toys and other objects that could server as steps for climbing out.
Stop using crib when child begins to climb out or reaches the height of 35 inches (89cm).
- Check this product for damaged hardware, loose joints, loose bolts or other assembly and frequently during use Securely tighten loose bolts and other fasteners. DO NOT use crib if any parts are missing, damaged or broken. Contact(insert manufacturer's name) for replacement parts and instructional literature if needed.
- DO NOT substitute parts.
- If refinishing, use a non-toxic finish specified for children's products.
- Follow warnings on all products in a crib.

RH BABY & CHILD

SLOANE TODDLER BED CONVERSION KIT

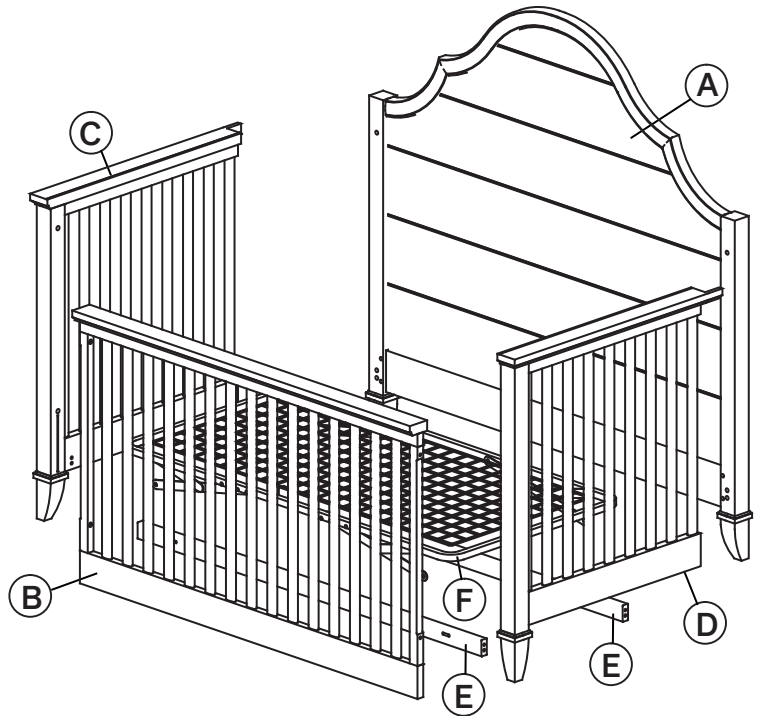
PARTS INCLUDED:

G [1] TODDLER RAIL

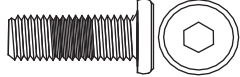



CRIB (SOLD SEPARATELY):

- A [1] HEADBOARD
- B [1] FOOTBOARD
- C [1] LEFT STATIONARY SIDE RAIL
- D [1] RIGHT STATIONARY SIDE RAIL
- E [2] STRETCHER BAR
- F [1] MATTRESS SUPPORT



HARDWARE INCLUDED:

NO.	ITEM	DESCRIPTION	QTY.
12		Bolts 5/16" x 3/4"	4 pieces
13		Allen Key 4mm	1 piece

ASSEMBLY INSTRUCTIONS:

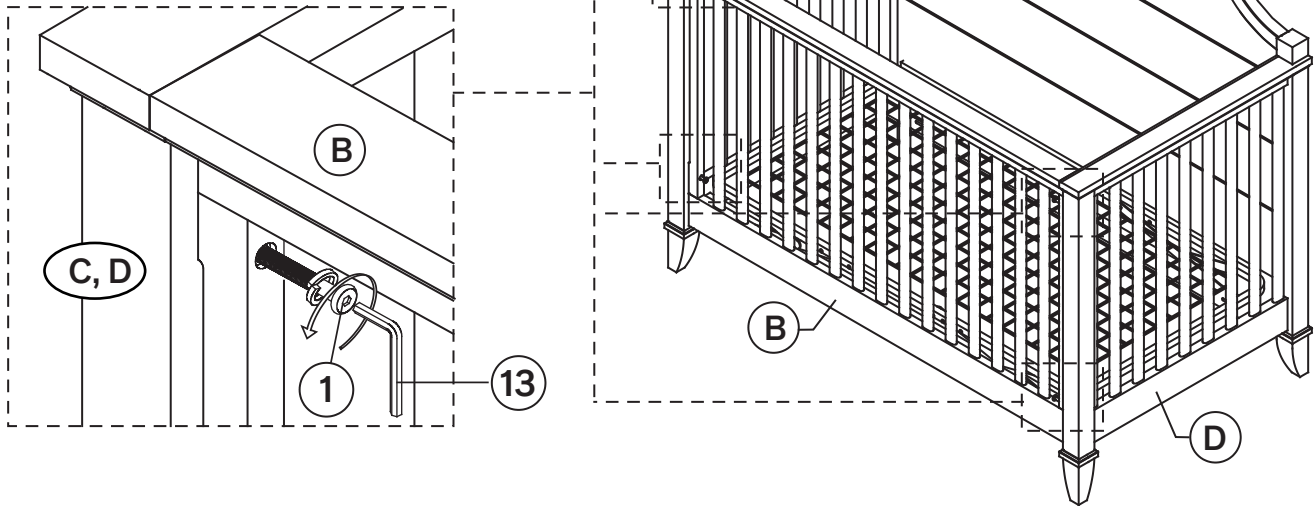
- Note:**
- Bed must be assembled by at least two people.
 - Please read instructions carefully before assembling bed.
 - Use the above parts and fittings list to identify each component.
 - Keep all packing materials until assembly is complete to avoid loss of smaller parts.
 - Do not completely tighten all bolts until all steps are finished.

RH BABY & CHILD

SLOANE TODDLER BED CONVERSION KIT

STEP 1:

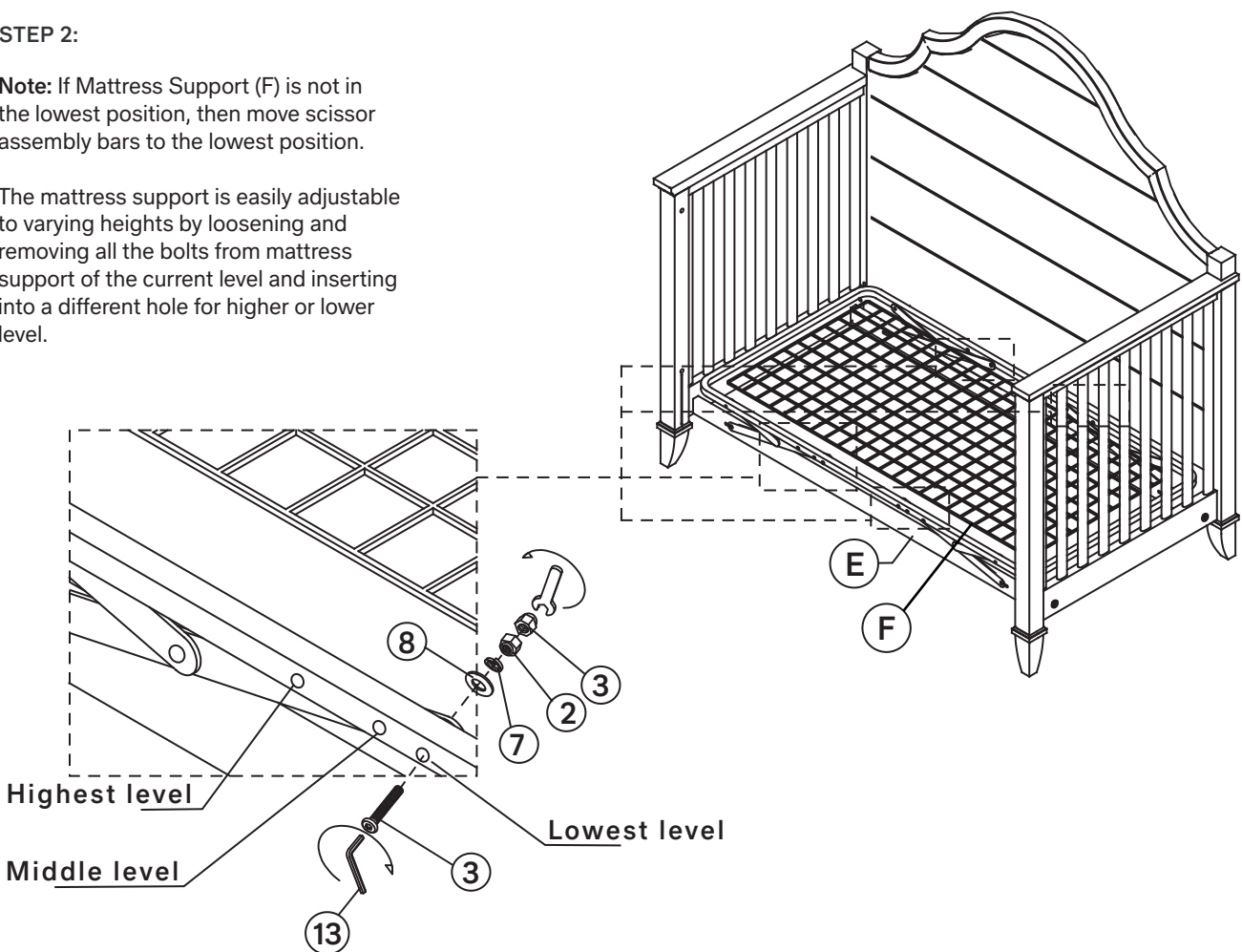
Remove Footboard (B) from the crib by carefully unscrew and remove the 4 Medium Bolts (1) with spring washer on the Footboard (B) using Allen Key (13).



STEP 2:

Note: If Mattress Support (F) is not in the lowest position, then move scissor assembly bars to the lowest position.

The mattress support is easily adjustable to varying heights by loosening and removing all the bolts from mattress support of the current level and inserting into a different hole for higher or lower level.



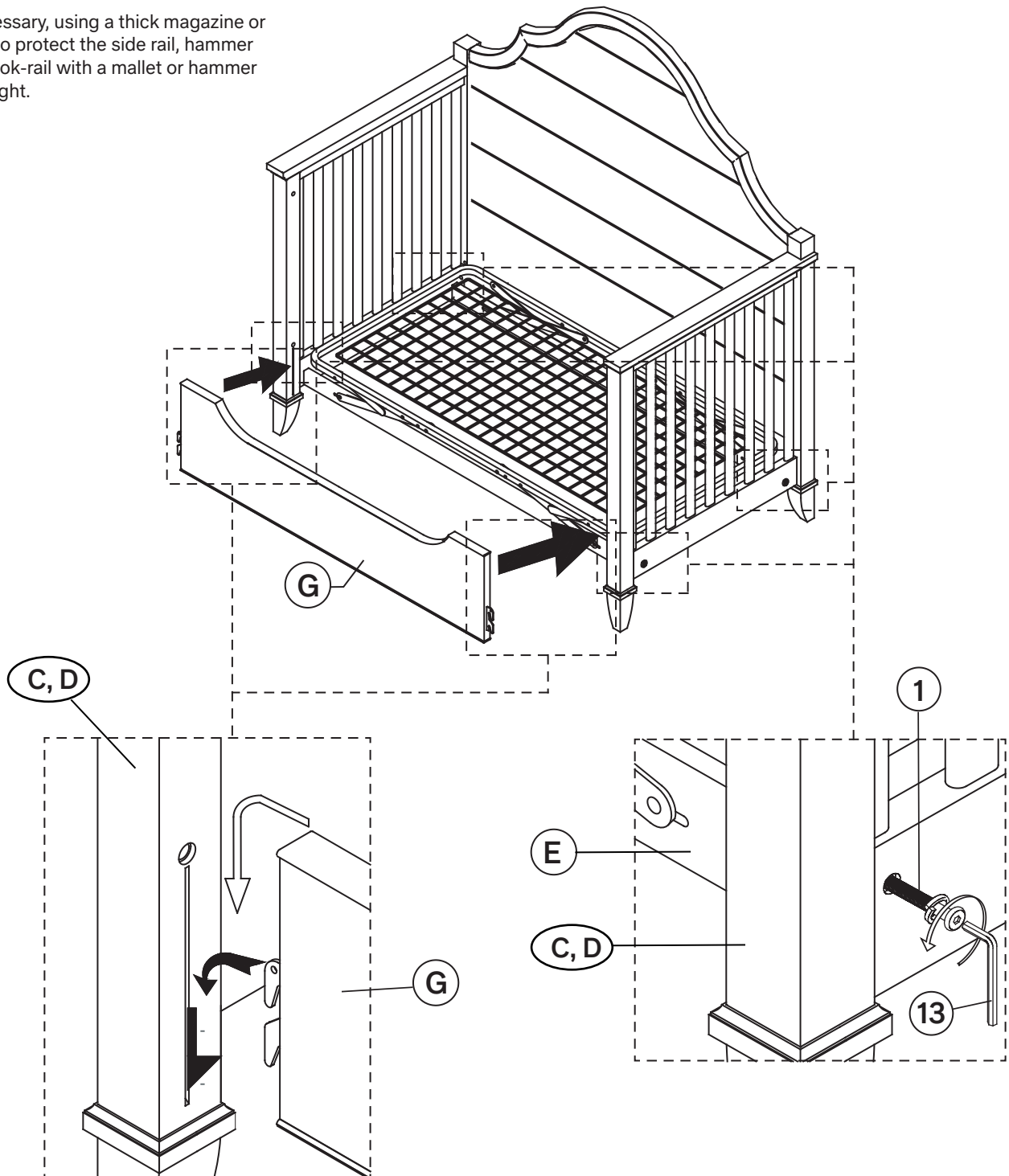
RH BABY & CHILD

SLOANE TODDLER BED CONVERSION KIT

STEP 3:

Loosen all tightened Bolts (1) from the Left/Right Stationary Side Rails. Spread front of crib open enough to insert Toddler Rail (G) hooks between crib side frames. Attach Toddler Rail (G) to side frame on both ends by hooking into provided slots while aligning stretcher bar.

If necessary, using a thick magazine or book to protect the side rail, hammer the hook-rail with a mallet or hammer until tight.

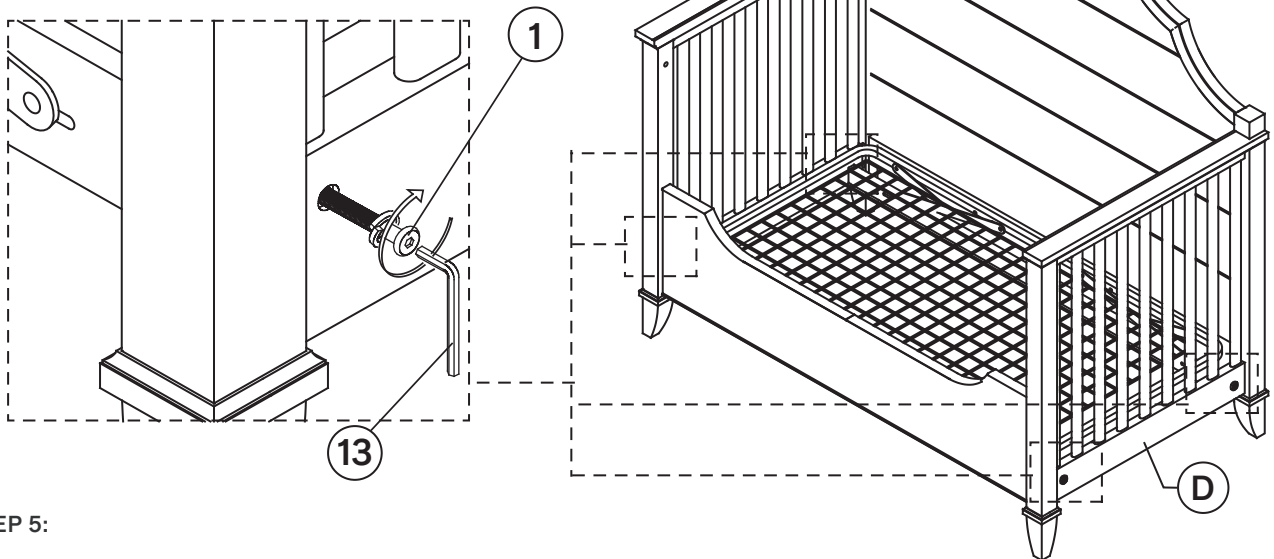


RH BABY & CHILD

SLOANE TODDLER BED CONVERSION KIT

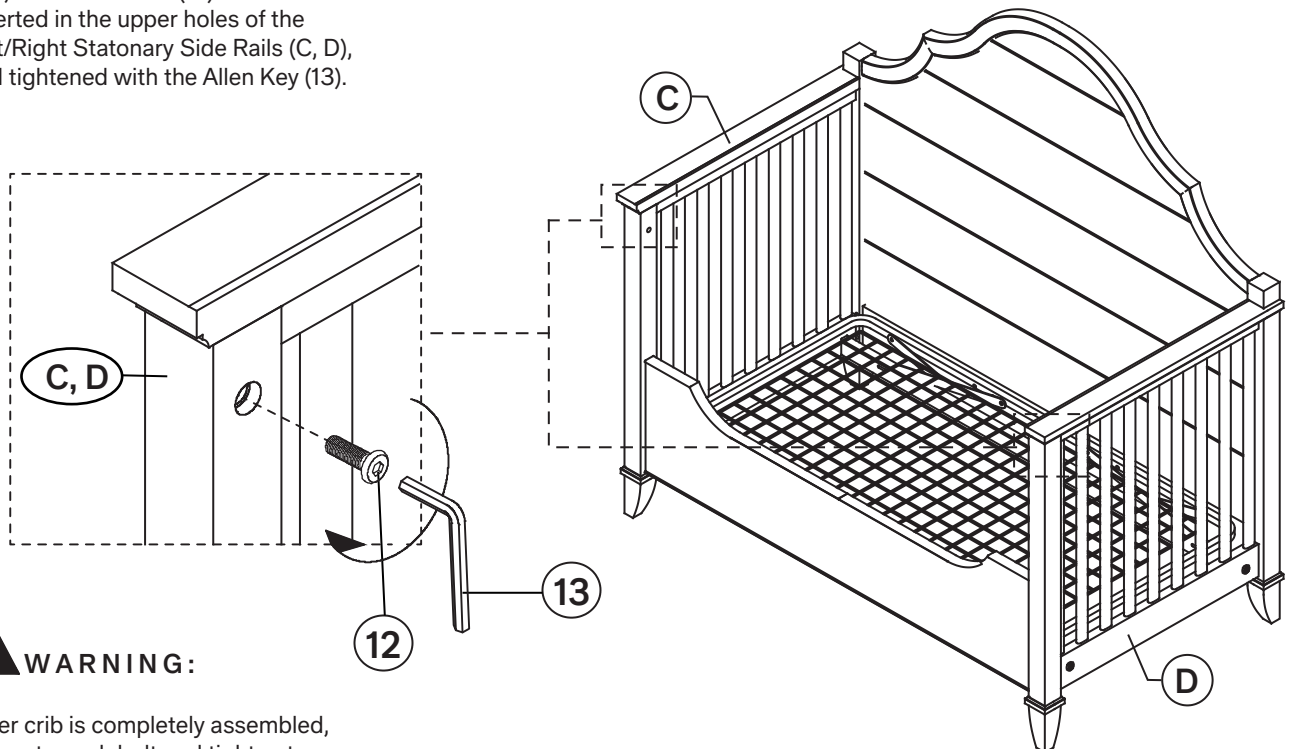
STEP 4:

Retighten all Bolts (1) to snug fit.



STEP 5:

When converting the crib to toddler bed, the Short Bolts (12) should be inserted in the upper holes of the Left/Right Stationary Side Rails (C, D), and tightened with the Allen Key (13).



⚠ WARNING:

After crib is completely assembled, return to each bolt and tighten to snug fit. DO NOT over tighten.

CARE INSTRUCTIONS:

1. DUST OFTEN USING A CLEAN, SOFT, DRY LINT-FREE CLOTH.
2. BLOT SPILLS IMMEDIATELY AND WIPE WITH A CLEAN, DAMP CLOTH.
3. DO NOT USE CHEMICAL CLEANSERS, ABRASIVES OR FURNITURE POLISH ON THE LACQUERED FINISH.