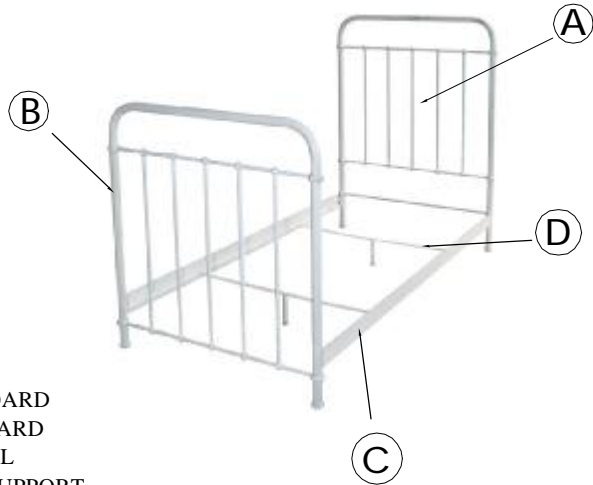


baby&child
RESTORATION HARDWARE
MILLBROOK TWIN BED




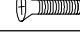



PART LIST

- A[1] HEADBOARD
- B[1] FOOTBOARD
- C[2] SIDE RAIL
- D[2] CROSS SUPPORT

Tools needed

-Philip head screwdriver (Not provided)

NO.	Description		Q'TY
1.	Allen bolt		8Pcs
2.	Flat washer		8Pcs
3.	Allen key		1Pc
4.	Bolt		4Pcs
5.	Nut		4Pcs

ASSEMBLY INSTRUCTION

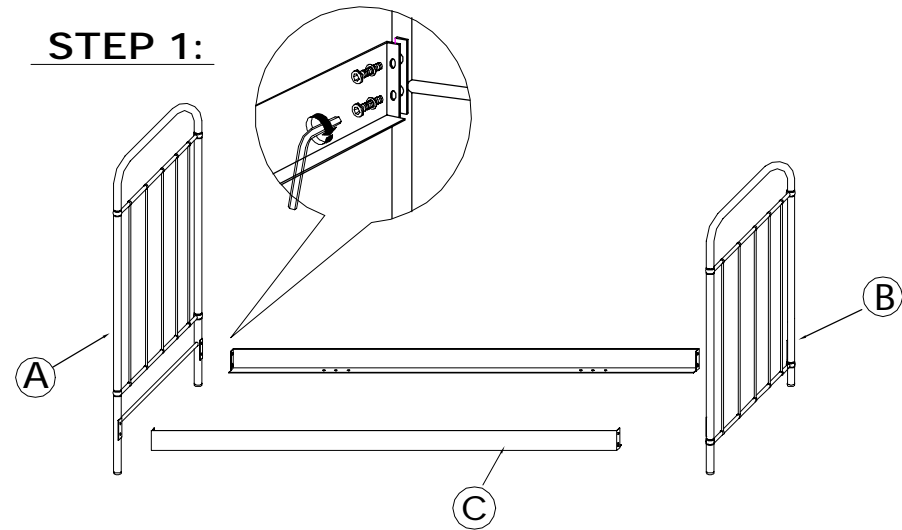
Step 1:

1. Position the side rail (C) beside the headboard (A) and align the hole at the top onto holes on the headboard as shown in the sketch.
2. Insert the flat washer (2) on the Allen bolt (1) and tighten the Allen bolt using Allen key (3).
3. Repeat the procedure with the other side of headboard and the other side rail

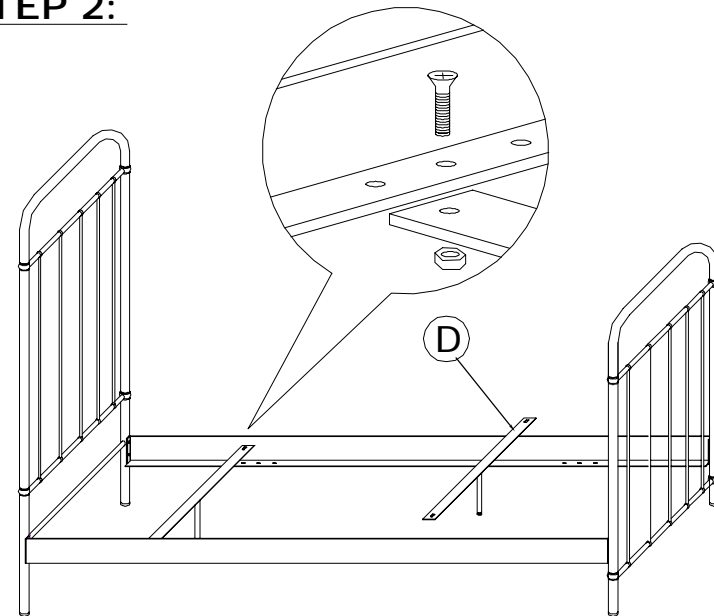
Step 2:

1. Position the cross support (D) over the side rail (C) and align the hole onto holes on the side rail as shown in the sketch.
2. Inset the bolt (4) and tighten the nut (5).
3. Repeat the procedure with the other cross support

STEP 1:



STEP 2:



CARE INSTRUCTIONS:

- Dust often using a clean, soft, dry lint-free cloth.
- Blot spills immediately, and wipe with a clean, damp, cloth.
- We do not recommend the use of chemical cleansers, abrasives, or furniture polish on our lacquered finish.

Thank you for your purchase

www.rhbabyandchild.com Tel:1-800-762-1751