

CAFE RECT PLAY BENCH

WARNING : ADULT ASSEMBLY ONLY OWING TO THE PRESENCE OF SMALL PARTS, SHARP POINTS AND EDGES

Customer Service- If you are missing parts or have any questions about this product, please contact us at :
1-800-762-1751

PART LIST

- A [1] BENCH TOP
- B [4] LEGS
- C [8] 5/16" x57mm BOLTS
- D [8] 5/16" SPRING WASHER
- E [8] 5/16" FLAT WASHER
- F [1] ALLEN KEY

PRE-ASSEMBLY

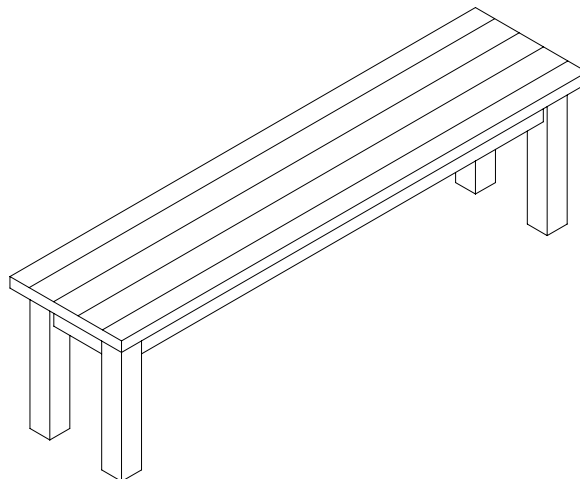
Please read all instructions before beginning assembly.

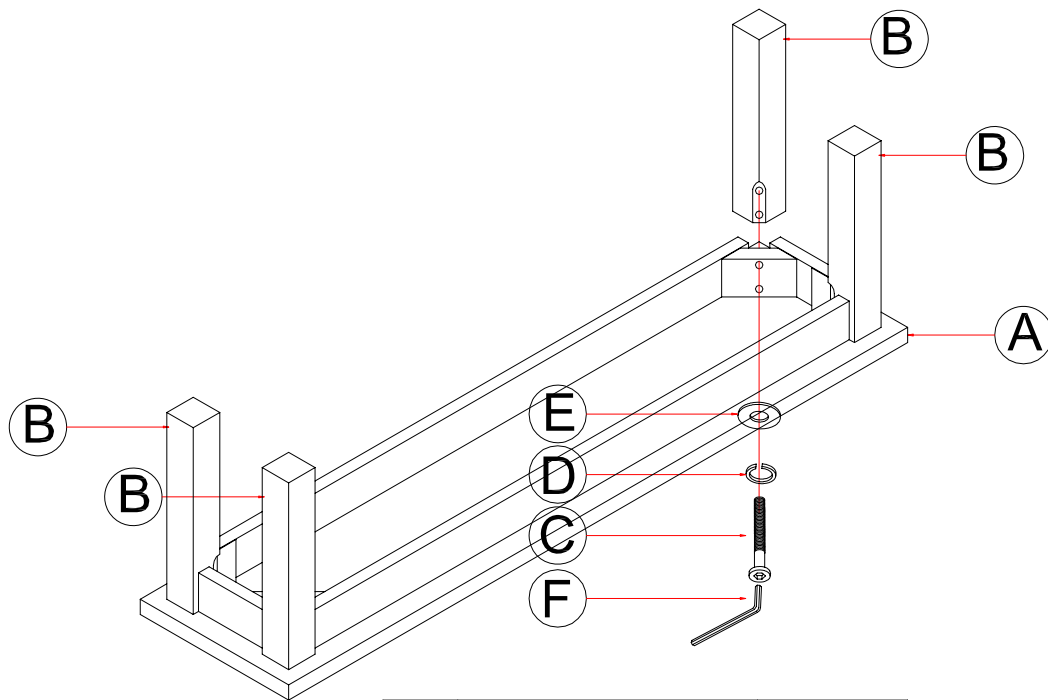
For ease of assembly, two adults are recommended.





Save all packaging materials until assembly is complete to avoid accidentally discarding smaller parts or hardware

ASSEMBLY INSTRUCTIONS

1. Turn Bench top (A) upside down and place on a clean padded surface, such as carpeted floor, to prevent scratches.
2. Insert Leg (B) into stretcher underneath, slide Flat washer (E), Spring washer (D) onto Bolts (C) and use Allen key (F) to tighten the bolts into legs. Repeat this process for all legs.
3. Turn bench upright.





C	 Ø5/16"*57mm	8pcs
D	 Ø5/16"	8pcs
E	 Ø5/16"	8pcs
F	 4mm	1pc

CARE INSTRUCTIONS:

- Dust often using a clean, soft, dry lint-free cloth.
- Blot spills immediately, and wipe with a clean, damp, cloth.
- We do not recommend the use of chemical cleansers, abrasives, or furniture polish on our lacquered finish.

Thank you for your purchase
www.rhbabyandchild.com