

CAFE RECTANGULAR PLAY TABLE

PARTS INCLUDED:

- A [1] TABLE TOP
- B [2] LEFT LEG
- C [2] RIGHT LEG
- D [2] STRETCHER

TOOLS NEEDED:

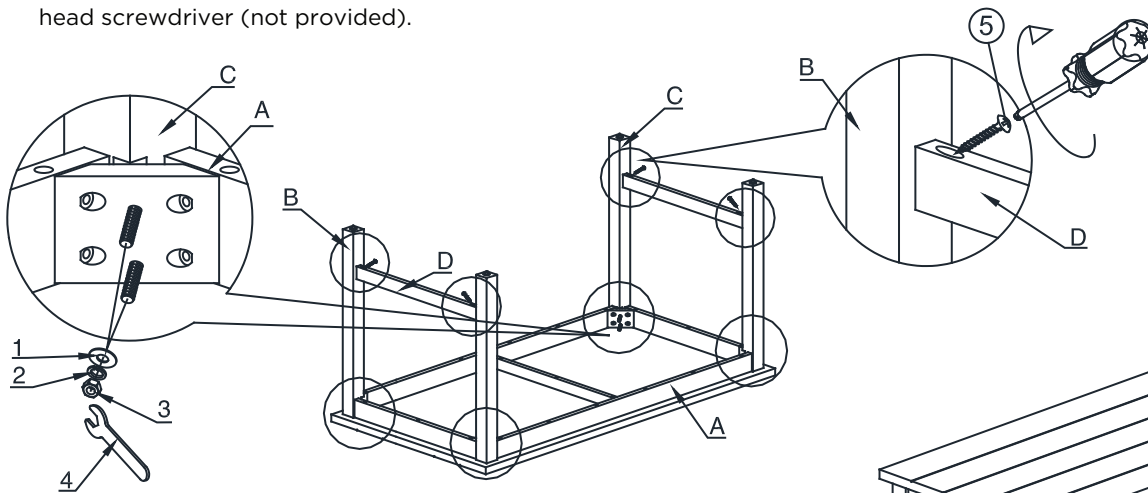
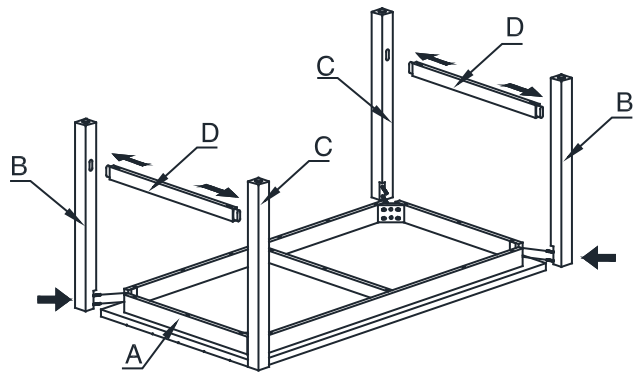
Phillips Head Screwdriver
(Not included)



NO.	ITEM	DESCRIPTION	QTY.
1		Flat Washer 5/16"	8pcs.
2		Spring Washer 5/16"	8pcs.
3		Nut 5/16"	8pcs.
4		Wrench 12mm	1pc.
5		Wood Screw 8x50mm	4pcs.

ASSEMBLY INSTRUCTIONS:

- Place the Table Top (A) upside down on a soft, padded surface to prevent scratches.
- Attach the Left Legs (B) & Right Leg (C) to the bottom of the Table Top (A) and insert the Stretcher (D) into the holes of the L/R Legs (B, C) as shown in the illustration below.
- Secure the Legs (B, C) with Flat Washer (1), Spring Washer (2) and Nut (3), and tighten with the Wrench (4), as shown below.
- Secure the Stretcher (D) to the Legs (B, C) by using Wood Screw (5), and tighten with philips-head screwdriver (not provided).



CARE INSTRUCTIONS:

- Dust often using a clean, soft, dry lint-free cloth.
- Blot spills immediately, and wipe with a clean, damp cloth.
- We do not recommend the use of chemical cleansers, abrasives, or furniture polish on our lacquered finish.

