

baby&child

RESTORATION HARDWARE

EMELIA FULL BED



WARNING: ADULT ASSEMBLY ONLY OWING TO THE PRESENCE OF SMALL PARTS, SHARP POINTS AND EDGES

Customer Service- If you are missing parts or have any questions about this product, please contact us at : 1-800-762-1751

CARE INSTRUCTIONS:

- Dust often using a clean, soft, dry lint-free cloth.
- Blot spills immediately, and wipe with a clean, damp cloth.
- We do not recommend the use of chemical cleansers, abrasives, or furniture polish on our lacquered finish.

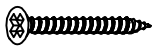
PART LIST

- A [1] HEADBOARD
- B [2] SIDE RAILS
- C [1] FOOTBOARD
- D [1] SLAT ROLL
- E [4] FINIALS

TOOLS NEEDED

- Rubber/wood Mallet or hammer
- Book or magazine
- Screwdriver

HARDWARE LIST

NO.	Description			Q'TY
1		Wood Screw	Φ8 x 30mm	4 Pcs

ASSEMBLY INSTRUCTION

Note: Bed can be assembled by one person rather easily, but if two people are available it is a bit easier and the operation will require less preparation. The instructions are written assuming one person is assembling the bed.

1. Place the Headboard (A) upright in the position you wish the bed to be in when fully assembled. The headboard bedfast hardware should be facing the inside, toward the mattress.

The Side Rails (B) are not handed parts so either rail will work on the right or left side. While holding the Headboard (A) up, place the hooks in the rail into the slots in the post of the headboard. If necessary, using a thick magazine or book to protect the side rail, hammer the hook-rail with a mallet or hammer until tight. Repeat the procedure with the other rail. The Headboard Panel (A) will now stand on it's own with the rails supporting it.

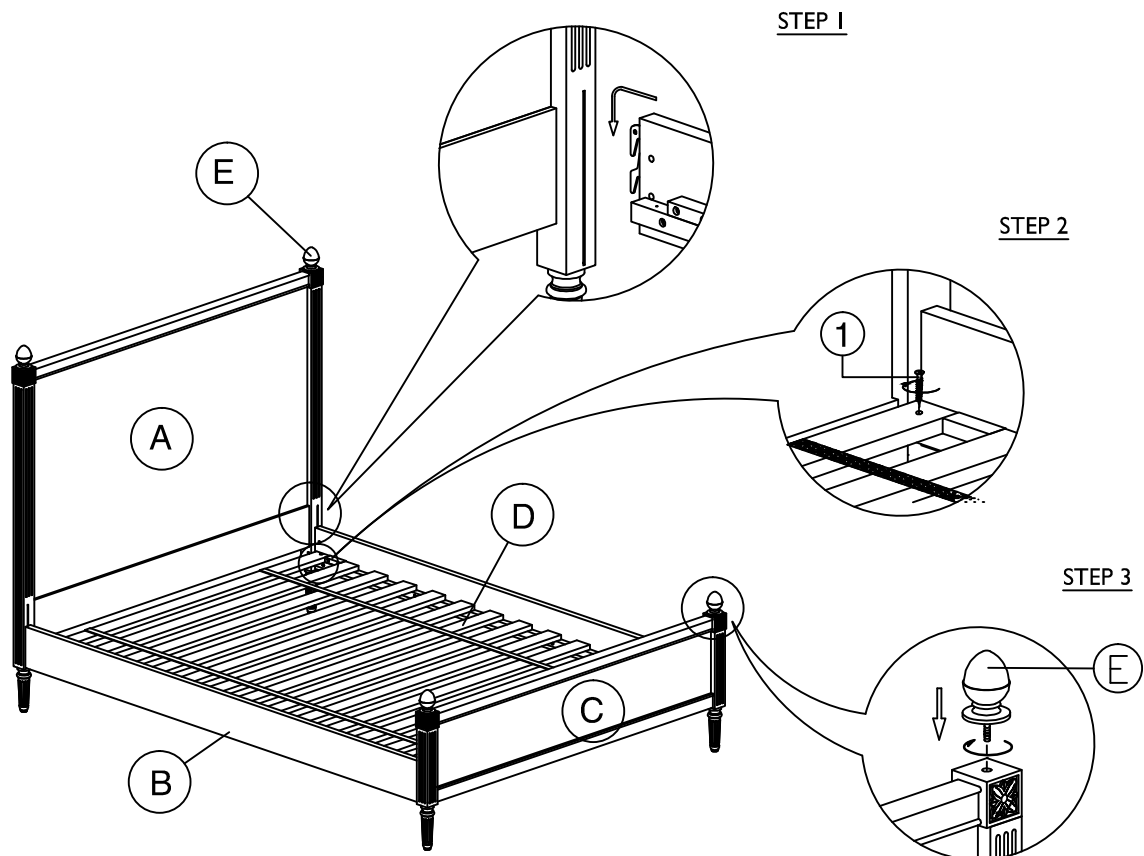
Insert the side rail hooks into the slots in the Footboard (C) and use the method described above.

Our hook-rail construction allows you to adjust the height of the bed for 2 settings. The higher setting is for use with a trundle and for use without a box spring. The lower setting is for use with a box spring. To insure the correct setting please measure the following distances:

Higher setting- distance from the floor to the bottom of the hook-rail measures 8 1/2".

Lower setting- distance from the floor to the bottom of the hook-rail measures 6 1/2".

2. Lay the Slat Roll (D) in between the Side Rails (B) and use Wood Screws (1) to fasten 2 end slats to the side rails with a screwdriver.
3. Secure the Finials (E) to the top of bed posts.



Thank you for your purchase
www.rhbabyandchild.com