





## CAFE SQUARE PLAY TABLE

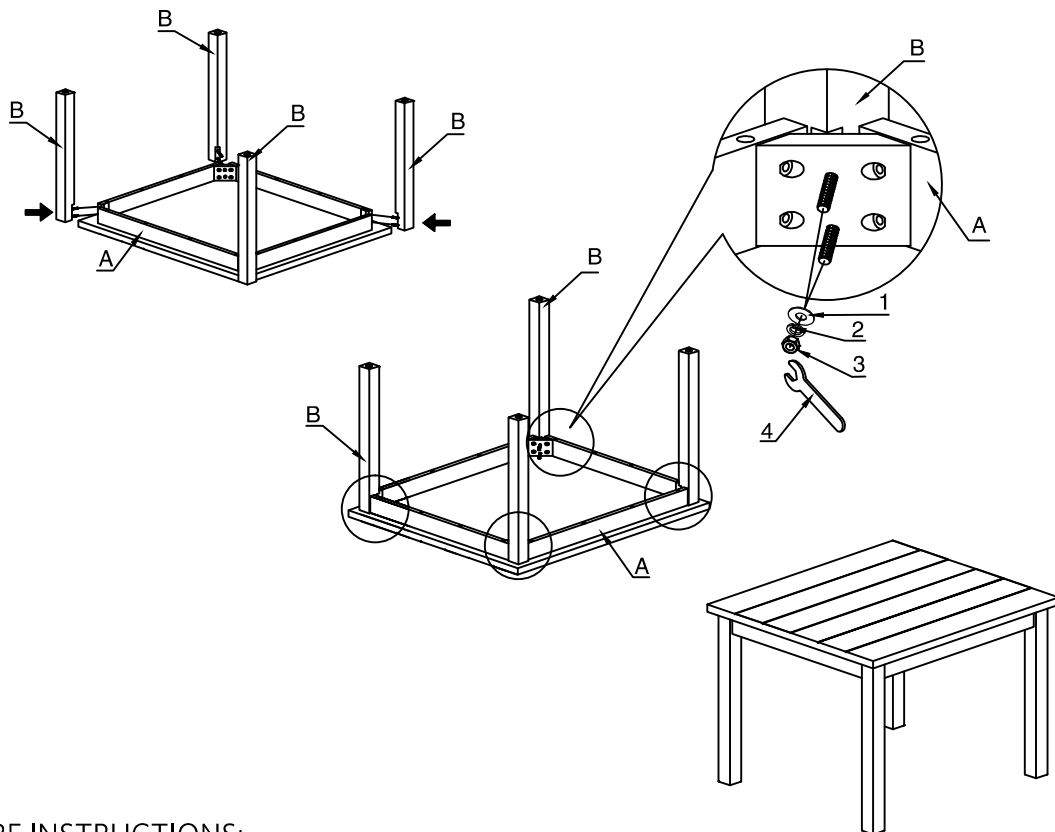
### PARTS INCLUDED

A [1] TABLE TOP  
B [4] LEG

NO.	ITEM	DESCRIPTION	QTY.
1		5/16" Flat Washer	8pcs
2		5/16" Spring Washer	8pcs
3		5/16" Nut	8pcs
4		12mm Wrench	1pc

### ASSEMBLY INSTRUCTIONS

1. Place the Table Top (A) upside down on a soft, padded surface to prevent scratches.
2. Attach the [4] Legs (B) to the bottom of the Table Top (A).
3. Secure the Legs (B) with Flat Washer (1), Spring Washer (2), and Nut (3), and tighten with the Wrench (4), as seen below.



### CARE INSTRUCTIONS:

- . Dust often using a clean, soft, dry lint-free cloth.
- . Blot spills immediately, and wipe with a clean, damp cloth.
- . We do not recommend the use of chemical cleansers, abrasives, or furniture polish on our lacquered finish.