

VINTAGE LOCKER DESK



**WARNING:** ADULT ASSEMBLY ONLY OWING TO THE PRESENCE OF SMALL PARTS, SHARP POINTS AND EDGES

**Customer Service:** If you are missing parts or have any questions about this product please contact us at: 1-800-762-1751

**FURNITURE TIPPING RESTRAINT:**

1. Young children may be injured by tipping furniture and the use of a tipping restraint is highly recommended. When properly installed, this restraint could provide protection against the unexpected tipping of furniture due to small tremors, bumps or climbing. We recommend mounting this restraint to a wall stud.
2. This product is only a deterrent. It is not a substitute for proper adult supervision.

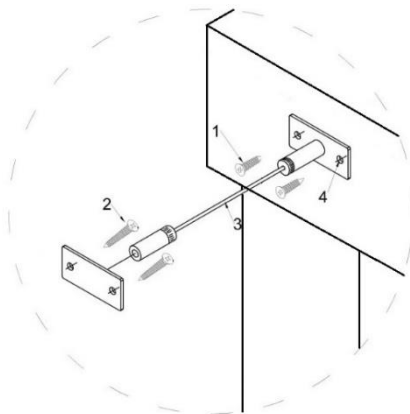
**PART LIST:**

1. Screw-0.75"
2. Screw-1.5"
3. Steel Cable
4. Steel Brackets
5. Mini Anchors

NO.	ITEM	DESCRIPTION	QTY
1		Screw-0.75"	2 PCS.
2		Screw-1.5"	2 PCS.
3		Steel cable	1 PCS.
4		Steel Brackets	2 PCS.
5		Mini Anchors	2 PCS.

**ASSEMBLY INSTRUCTIONS:**

1. Tighten the metal bracket on to the wall and furniture piece with the help of the screw given. For dry wall fixing, mini anchors are to be used along with the screws.
2. Tighten the steel cable (3) on to the brackets (4) on the wall and on the product as shown below.
3. Tighten the cord grip as required and adjust the spacing with the wall accordingly.



**CARE INSTRUCTIONS:**

Serious or fatal crushing injuries can occur from furniture tip-over. To help prevent tip-over:

- Place heaviest items in the lowest drawers.
- Do not set TVs or other heavy objects on the top of this product.
- Never allow children to climb or hang drawers, door, or shelves.
- Never open more than one drawer at a time.

Use of tip-over restraints may only reduce, but not eliminate, the risk of tip-over.