

baby&child

RESTORATION HARDWARE

Thank you for selecting Restoration Hardware Baby & Child lighting. Our assortment is crafted with the highest quality materials that coordinate perfectly with our Baby & Child bedding collections, making it easy to create an elegant nursery or child's bedroom. The chandeliers' surface is sealed, which eliminates the need for polishing and ensures a lasting finish for years to come.

PARTS ENCLOSED: HARDWARE INCLUDED:

- | | |
|-------------------------------|--------------------------------|
| (A) Mounting plate (1) | (a) Plastic wire connector (2) |
| (B) Canopy (1) | (b) Mounting screw (2) |
| (C) Long crystal string (12) | (c) Green ground screw(1) |
| (D) Short crystal string (12) | (d) Nut (1) |
| (E) Body Ring(1) | (e) Washer(1) |
| (F) Ring(1) | (f) Threaded tube(1) |
| | (g) Bulb(6) |

IMPORTANT SAFETY INSTRUCTIONS:

WE RECOMMEND INSTALLATION BY A LICENSED ELECTRICIAN.

This fixture has been rated for up to (6) 40-watt maximum TYPE B candelabra bulbs. To avoid the risk of fire, do not exceed the recommended wattage.

WARNINGS:

All wires are connected. When unpacking, be careful not to pull wires as a bad connection may result. Do not connect electricity until your lamp is fully assembled.

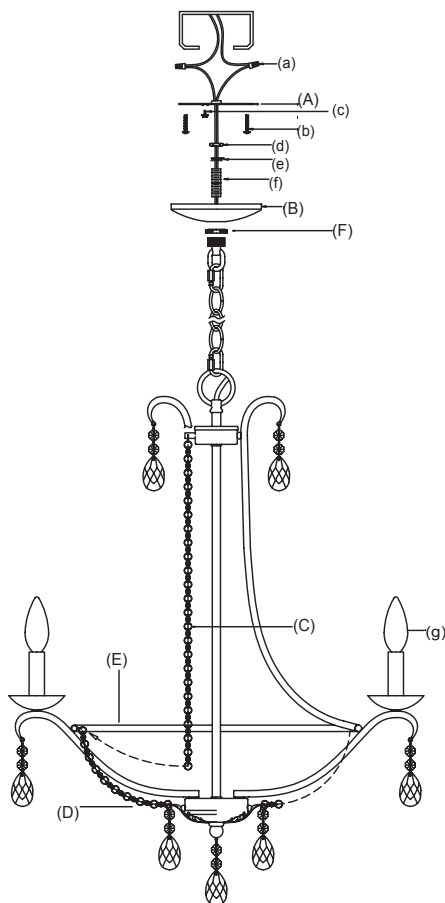
To reduce the risk of fire, electrical shock, or personal injury, always turn off lamp and allow it to cool prior to replacing light bulb.

Do not touch bulb when fixture is turned on or look directly at lit bulb. Keep flammable materials away from lit bulb.

THIS IS NOT A TOY AND THE PRODUCT HAS NO PLAY VALUE

FRENCH EMPIRE CHANDELIER

Direct Wire Installation



TO ASSEMBLE:

1. Carefully remove all parts from the box and remove all plastic covering.
2. Attach the Long crystal string (C) and Short crystal string (D) to the Body ring (E).
3. Turn OFF power to the junction box where the lamp will be installed.
4. Connect the hot wire(silver) to the hot junction box wire(usually black or smooth) with a plastic wire connector(a) and wrap the connection with electrical tape. Connect the neutral wire(white) to the neutral junction box wire (usually white or ribbed) with a plastic wire connector (a) and wrap the connection with electrical tape.
5. Attach the ground wire (green)from the fixture to the ground junction box wire from the outlet box (usually green or bare wire). Or wrap the ground wire around the green ground screw(c)
6. Attach Mounting plate (A) to the outlet box using the Mounting screws(b) and tighten it.
7. Attach the Nut (d),Washer(e) and Threaded screw (f) to the mounting plate (f) and tighten it.
8. Attach the Canopy(B) to the Mounting plate(A) using Ring (F) and tighten it .
9. Insert the (6) 40-watt Type B candelabra bulb (g).
10. Restore power to the junction box and test lamp fixture.
11. Installation is complete.

CARE INSTRUCTIONS:

Do not use polishes or cleaners on your lamp.

JUST WIPE CLEAN WITH SOFT CLOTH.